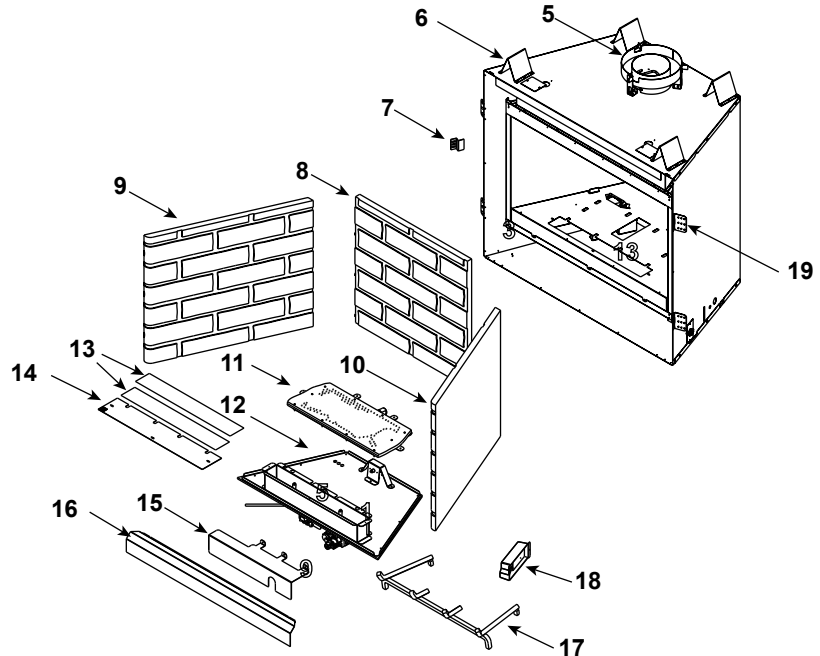
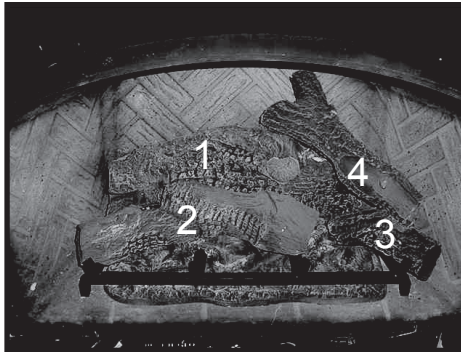


Log Set Assembly



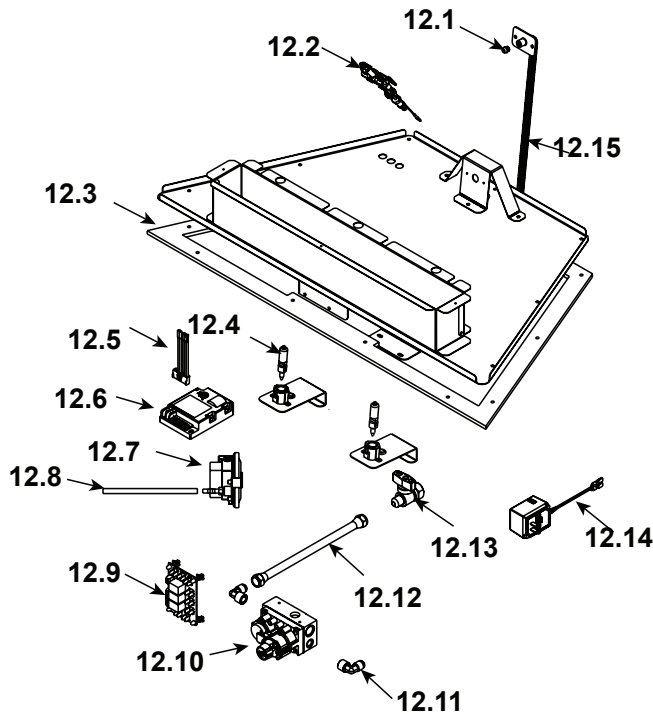
IMPORTANT: THIS IS DATED INFORMATION. Parts must be ordered from a dealer or distributor. **Hearth and Home Technologies does not sell directly to consumers.** Provide model number and serial number when requesting service parts from your dealer or distributor.



**Stocked
at Depot**

ITEM	DESCRIPTION	COMMENTS	PART NUMBER	
	Log Set Assembly		LOGS-GEM36	Y
1	Log #1	No longer available, Must order complete assembly	SRV370-700	
2	Log #2		SRV370-701	
3	Log #3		SRV370-702	
4	Log #4		SRV582-705	
5	Collar Shield Assembly	No longer available	4034-034	
6	Light Plate	No longer available	33927	
7	Refractory Retainer		SRV11847	
	Traditional Brick Refractory Assembly	No longer available	TB6100	
8	Traditional Brick Back Refractory	No longer available	4041-123	
9	Traditional Brick Left Refractory	No longer available	4041-125	
10	Traditional Brick Right Refractory	No longer available	4041-124	
11	Burner NG, LP		4041-006	Y
12	Valve Assembly		Refer to valve page	
13	Light Film	No longer available	4041-101	
14	Mesh	No longer available	4041-115	
15	Dashboard	No longer available	4041-122	
16	36" Lava Rock Retainer	No longer available	4041-113	
17	Grate Assembly	No longer available	370-361A	
18	Junction Box		SRV4021-013	Y
19	Nailing Flange	Qty 4 req	SRV31190	

#12 Valve Assembly



IMPORTANT: THIS IS DATED INFORMATION. Parts must be ordered from a dealer or distributor. **Hearth and Home Technologies** does not sell directly to consumers. Provide model number and serial number when requesting service parts from your dealer or distributor.

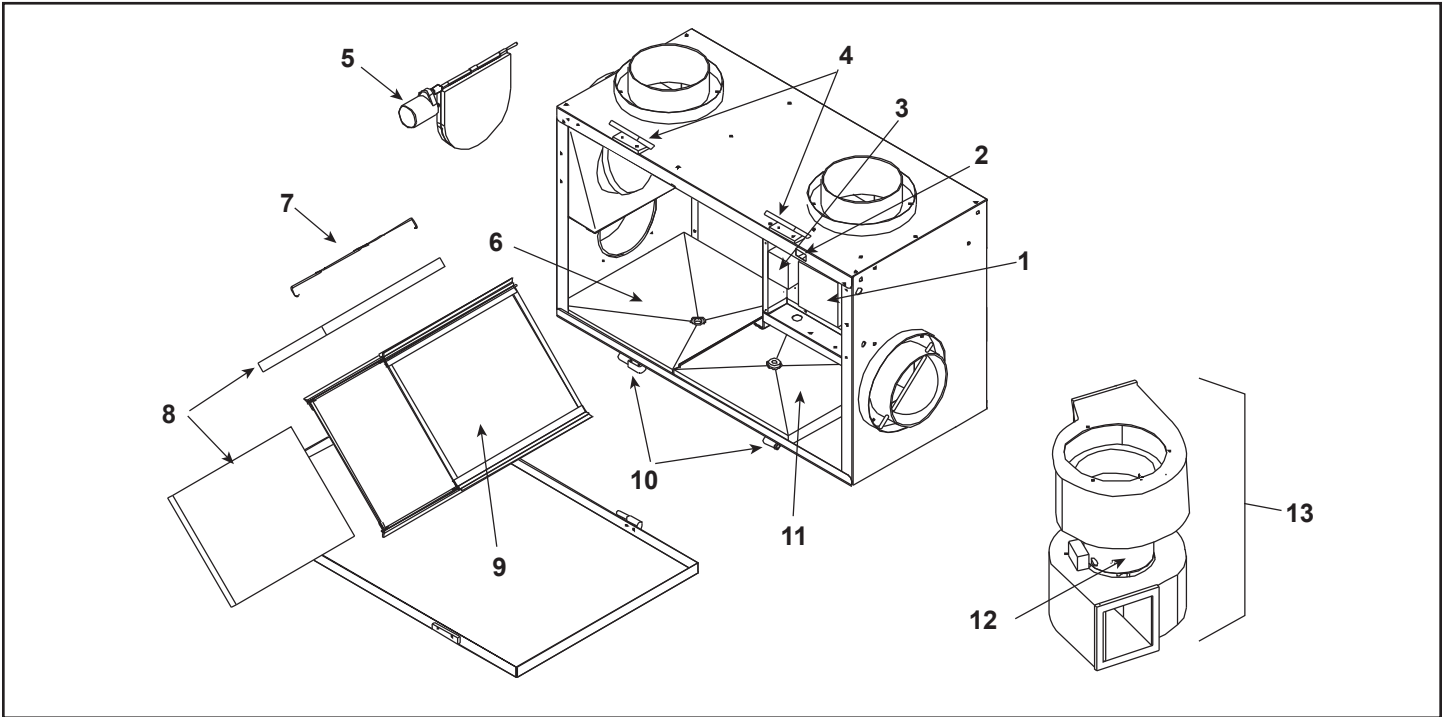


**Stocked
at Depot**

ITEM	DESCRIPTION	COMMENTS	PART NUMBER	
12.1	Orifice NG (#29C)		SRV582-829	Y
	Orifice LP (#45C)		SRV582-845	Y
12.2	Pilot Assembly NG		SRV4021-730	Y
	Pilot Assembly LP		SRV4021-731	Y
12.3	Gasket Valve Plate	No longer available	4041-102	
12.4	Halogen Bulb	No longer available	33961	
12.5	Wire Assembly	No longer available	4034-124	
12.6	Module		SRV593-592	Y
12.7	Circuit Board	No longer available	4034-085	
12.8	Pressure Switch	No longer available	4034-103	
12.9	Silicone Tube	No longer available	4034-109	
12.10	Valve NG		750-500	Y
	Valve LP		750-501	Y
12.11	Brass Connector - 90 degree - Flex	Qty 2 req.	SRV4021-045	
12.12	22" Stainless Flex Tube		7000-197	Y
12.13	ON/OFF Valve		SRV15697	Y
12.14	3 Volt Transformer		SRV593-593	Y
12.15	Orifice Bracket Flex Tube		2005-009	Y

For Ventilator replacement parts, refer to HRV200PLUS parts listing.

Additional service part numbers appear on following page.



IMPORTANT: THIS IS DATED INFORMATION. Parts must be ordered from a dealer or distributor. **Hearth and Home Technologies does not sell directly to consumers.** Provide model number and serial number when requesting service parts from your dealer or distributor.



Stocked at Depot

ITEM	DESCRIPTION	COMMENTS	PART NUMBER	
1	Circuit Board	No longer available	HRV26223	
2	Door Switch	No longer available	HRV14107R	
3	Auto Transformer	No longer available	HRV19137R	
4	Door Latch Set	No longer available	HRV93101	
5	Damper Motor	No longer available	HRV23007	
6	Left Drain Pan	No longer available	HRV35201	
7	Filter Clip	No longer available	HRV81007	
8	Aluminum Mesh Filter	No longer available	HRV65204	
9	Core Assembly - Aluminum HT	No longer available	HRV68200	
10	Door Hinge Set	No longer available	HRV91106B	
11	Right Drain Pan	No longer available	HRV35201	
12	Motor With Capacitor	No longer available	HRV23200R	
13	Blower Housing Set	No longer available	HRV99242	
13	Lower Blower Wheel (CW)	No longer available	HRV40211	
13	Upper Blower Wheel (CCW)	No longer available	HRV40121	
	Drain Adapter Kit	No longer available	HRV35404	
	Internal Dehumidistat	No longer available	HRV29101R	
	Dehumidistat Knob	No longer available	HRV28101	
	Over Temperature Switch	No longer available	HRV15205	
	Circuit Board - Defrost Kit	No longer available	HRV26223H	