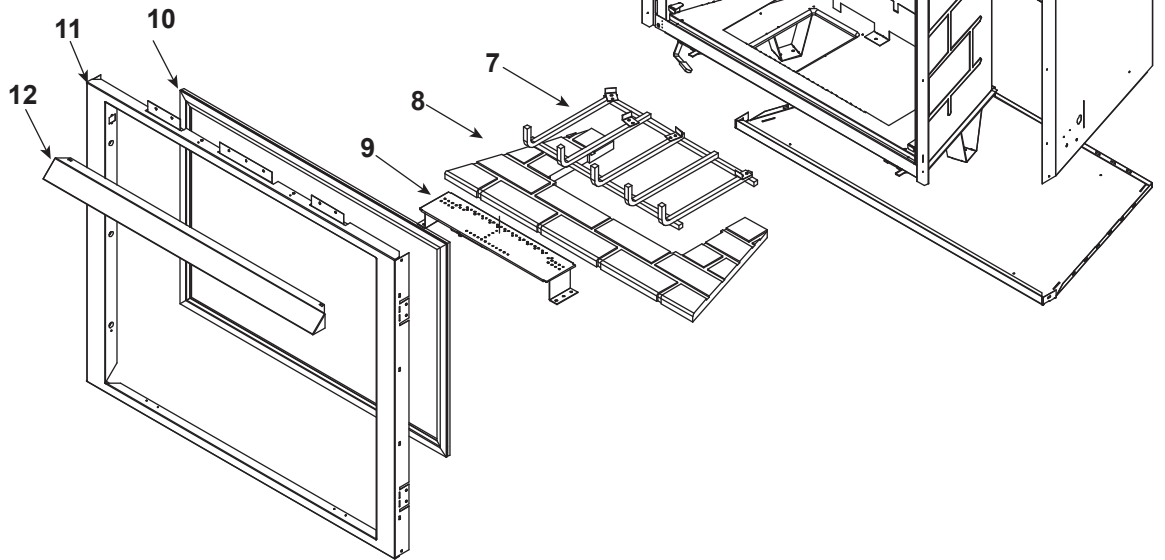
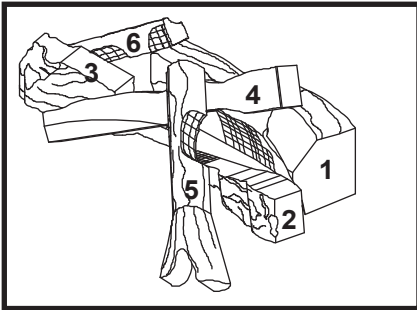


### Log Set Assembly



IMPORTANT: THIS IS DATED INFORMATION. Parts must be ordered from a dealer or distributor. **Hearth and Home Technologies does not sell directly to consumers.** Provide model number and serial number when requesting service parts from your dealer or distributor.



**Stocked  
at Depot**

ITEM	DESCRIPTION	COMMENTS	PART NUMBER	
	Log Set Assembly (Includes Grate)	<b>No longer available</b>	LOGS-CAMP	
1	Log 1		SRV530-711	
2	Log 2		SRV446-702	
3	Log 3		SRV446-703	
4	Log 4		SRV446-704	
5	Log 5		SRV446-705	
6	Log 6		SRV446-706	
7	Log Grate Assembly		390-360A	
8	Base Refractory, Metal	<b>No longer available</b>	SRV389-338-UM	
9	Burner NG		390-376A	<b>Y</b>
	Burner LP		390-375A	<b>Y</b>
10	Glass Door Assembly		GLA-750TRS	<b>Y</b>
11	Surround	<b>No longer available</b>	520-130	
12	Hood		SRV60-143-BK	



Service Parts

6000XLTB/6000XLT-FF

No one builds a better fire

Beginning Manufacturing Date: April 1999
Ending Manufacturing Date: June 2001

IMPORTANT: THIS IS DATED INFORMATION. Parts must be ordered from a dealer or distributor. Hearth and Home Technologies does not sell directly to consumers. Provide model number and serial number when requesting service parts from your dealer or distributor.



Stocked at Depot

Table with 5 columns: ITEM, DESCRIPTION, COMMENTS, PART NUMBER, Stocked at Depot. Rows include Burner Orifice NG (#32A), Burner Orifice LP (#50A), Burner Tube, Decorative Front, Fan Kit, Junction Box - Pilot, Mesh Assembly, Piezo Ignitor, Pilot Assembly NG, Pilot Assembly LP, Thermocouple, Thermopile, Pilot Tube, Remote, Touch Up Paint, Valve NG, Valve LP, Conversion Kit NG, Conversion Kit LP, Pilot Orifice NG, Pilot Orifice LP, Regulator NG, Regulator LP.