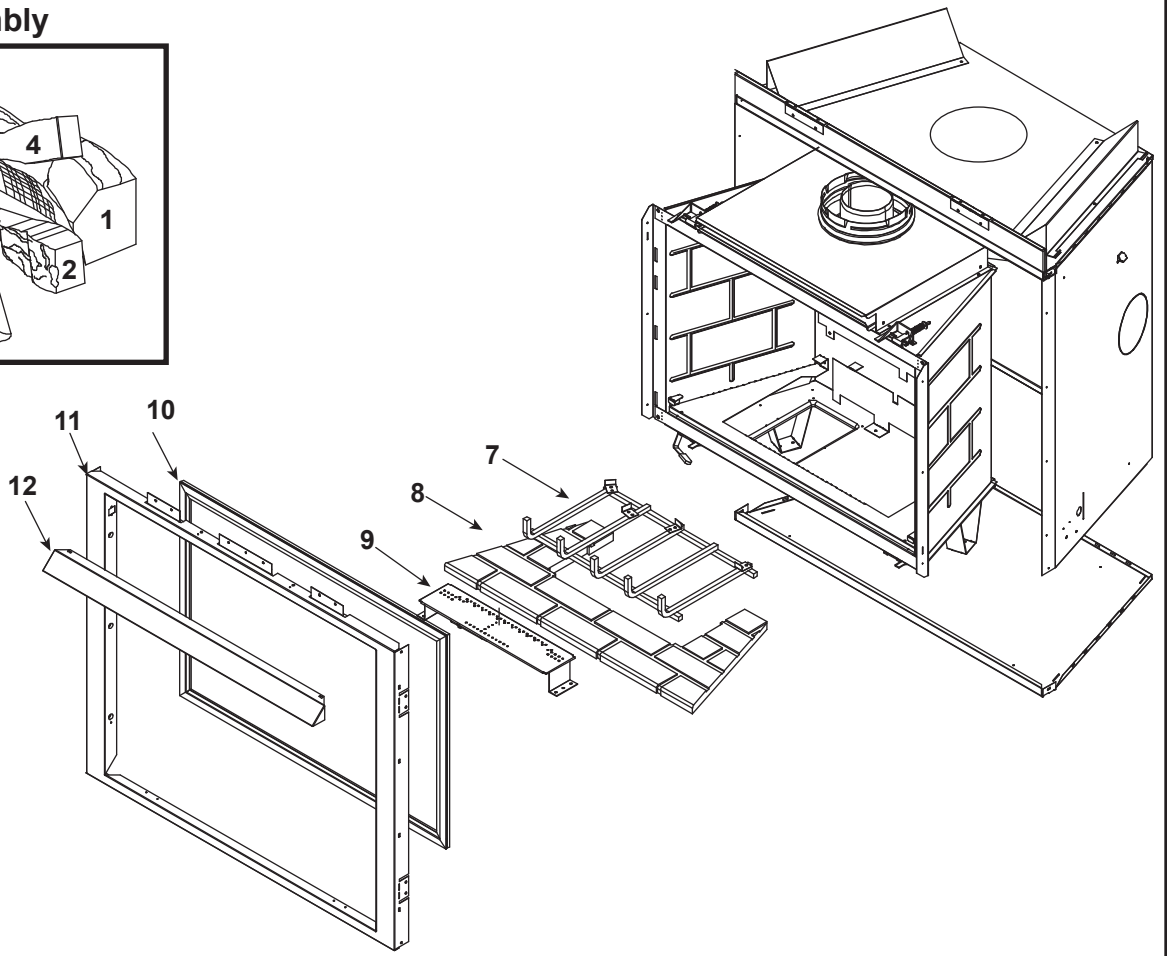
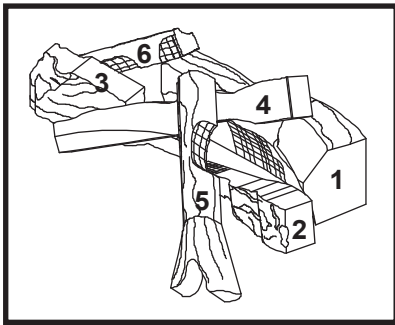


Log Set Assembly



IMPORTANT: THIS IS DATED INFORMATION. Parts must be ordered from a dealer or distributor. **Hearth and Home Technologies does not sell directly to consumers.** Provide model number and serial number when requesting service parts from your dealer or distributor.

ITEM	DESCRIPTION	COMMENTS	PART NUMBER
	Log Set Assembly (Includes Grate)	No longer available	LOGS-CAMP
1	Log 1		SRV530-711
2	Log 2		SRV446-702
3	Log 3		SRV446-703
4	Log 4		SRV446-704
5	Log 5		SRV446-705
6	Log 6		SRV446-706
7	Log Grate Assembly	No longer available	517-360A
8	Base Refractory		SRV446-338
9	Burner NG	No longer available	546-176A
	Burner LP	No longer available	546-175A
10	Glass Door Assembly	No longer available	517-600A
11	Surround	No longer available	414-130
12	Hood		SRV60-143-BK



No one builds a better fire

Beginning Manufacturing Date: Oct 1998
Ending Manufacturing Date: Sept 2002

IMPORTANT: THIS IS DATED INFORMATION. Parts must be ordered from a dealer or distributor. **Hearth and Home Technologies does not sell directly to consumers.** Provide model number and serial number when requesting service parts from your dealer or distributor.

ITEM	DESCRIPTION	COMMENTS	PART NUMBER
	Burner Tube		477-301A
	Burner Orifice NG (#34A)	No longer available	067-800
	Burner Orifice LP (#51A)	No longer available	079-803
	Dress Guard	No longer available	DF-6XLSA
	Flue Restrictor		530-299
	Glass Clips	Pkg of 25	060-235-25
	Glass Spring Fastner	No longer available	079-001A
	High Temp Limit Switch		092-531
	Junction Box	No longer available	546-250A
	On/Off Rocker Switch		060-521A
	Piezo Ignitor		291-513
	Pilot Assembly NG	Top Mount	4021-736
		Side Mount	060-514A
	Pilot Assembly LP	Top Mount	4021-737
		Side Mount	060-515A
	Thermocouple		446-511
	Thermopile		2103-512
	Pilot Tube		SRV446-301
	Touch Up Paint		TUPB-12
	Valve NG		060-522
	Valve LP		060-523
	Wing Nuts	Pkg of 25	060-872-25
	Conversion Kit NG	No longer available	NGK-6XLT-AU
	Conversion Kit LP	No longer available	LPK-6XLT-AU
	Pilot Orifice NG	No longer available	SRV060-505
	Pilot Orifice LP	No longer available	SRV060-517
	Regulator NG		SRV060-518
	Regulator LP		060-519