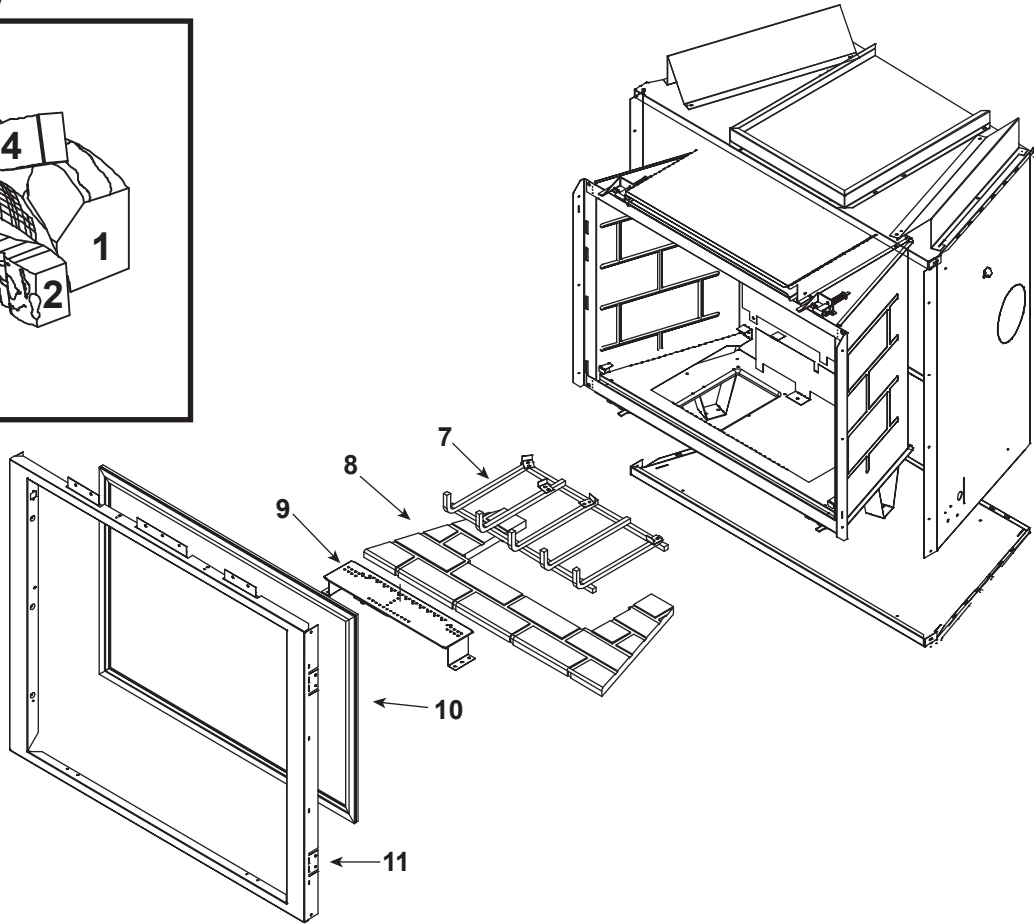
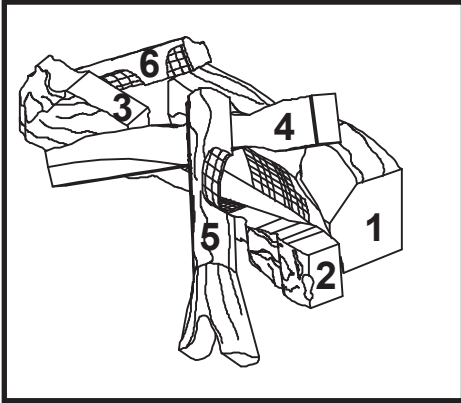


Log Set Assembly



IMPORTANT: THIS IS DATED INFORMATION. Parts must be ordered from a dealer or distributor. **Hearth and Home Technologies does not sell directly to consumers.** Provide model number and serial number when requesting service parts from your dealer or distributor.



Stocked at Depot

ITEM	DESCRIPTION	COMMENTS	PART NUMBER	
	Log Set Assembly	No longer available	LOGS-CAMP	
1	Log 1		SRV530-711	
2	Log 2		SRV446-702	
3	Log 3		SRV446-703	
4	Log 4		SRV446-704	
5	Log 5		SRV446-705	
6	Log 6		SRV446-706	
7	Grate Assembly	No longer available	446-360A	
		Post Aug 1999	390-360A	
8	Base Refractory	No longer available	SRV389-338-UM	
9	Burner NG		390-376A	Y
	Burner LP		390-375A	Y
10	Glass Door Assembly		GLA-750TRS	Y
11	Surround	No longer available	520-130	



Service Parts

6000XLSB

No one builds a better fire

Beginning Manufacturing Date: June 1997
Ending Manufacturing Date: June 2001

IMPORTANT: THIS IS DATED INFORMATION. Parts must be ordered from a dealer or distributor. Hearth and Home Technologies does not sell directly to consumers. Provide model number and serial number when requesting service parts from your dealer or distributor.



Stocked at Depot

Table with 5 columns: ITEM, DESCRIPTION, COMMENTS, PART NUMBER, Stocked at Depot. Rows include parts like Decorative Front, Flex Ball Valve Assembly, Hood, Junction Box, Mineral Wool, Orifice NG/LP, Piezo Ignitor, Pilot Assembly NG/LP, Pilot Tube, Thermocouple, Thermopile, Touch Up Paint, Valve Bracket, Valve NG/LP, Conversion Kit NG/LP, Pilot Orifice NG/LP, and Regulator NG/LP.