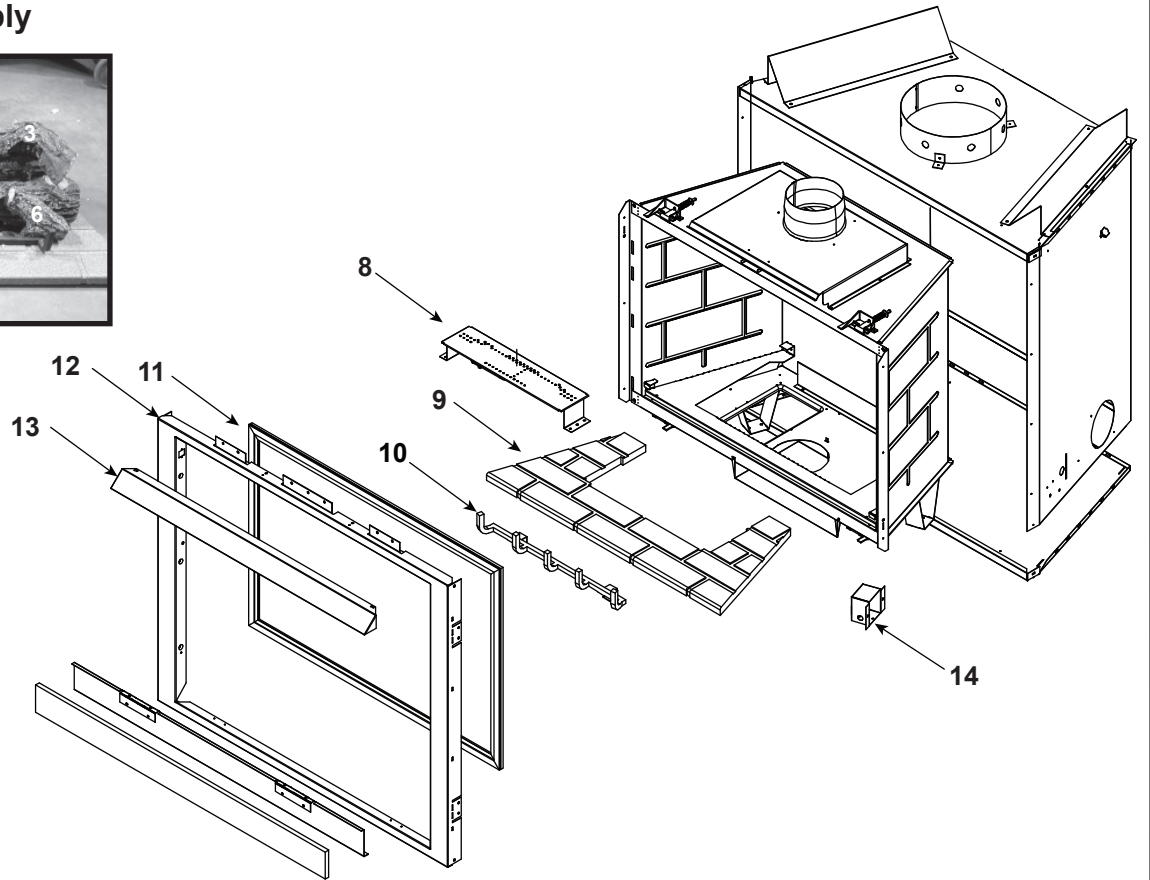
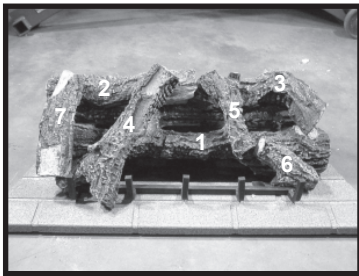


Log Set Assembly



IMPORTANT: THIS IS DATED INFORMATION. Parts must be ordered from a dealer or distributor. **Hearth and Home Technologies does not sell directly to consumers.** Provide model number and serial number when requesting service parts from your dealer or distributor.



Stocked at Depot

ITEM	DESCRIPTION	COMMENTS	PART NUMBER	
	Log Set Assembly		LOGS-6FLB	Y
1	Log 1	No longer available, Must order complete assembly	SRV530-720	
2	Log 2		SRV530-706	
3	Log 3		SRV569-709	
4	Log 4		SRV582-710	
5	Log 5		SRV540-704	
6	Log 6		SRV530-705	
7	Log 7		SRV530-703	
8	Burner NG		389-376A	Y
	Burner LP		389-375A	Y
9	Base Refractory	No longer available	SRV389-338-UM	
10	Grate Assembly	No longer available	SRV60-361A	
11	Glass Door Assembly		GLA-6TROC	Y
12	Surround	No longer available	520-130	
13	Hood		SRV60-143-BK	
14	Junction Box		100-250A	Y



No one builds a better fire

Beginning Manufacturing Date: Aug 1999
 Ending Manufacturing Date: June 2001

IMPORTANT: THIS IS DATED INFORMATION. Parts must be ordered from a dealer or distributor. **Hearth and Home Technologies does not sell directly to consumers.** Provide model number and serial number when requesting service parts from your dealer or distributor.



**Stocked
at Depot**

ITEM	DESCRIPTION	COMMENTS	PART NUMBER	
	Decorative Front	No longer available	DF-36H	
	Flex Ball Valve Assembly		SRV302-320	Y
	Flexible Gas Connector		477-301A	Y
	High Limit Switch		SRV4021-383	Y
	Mineral Wool		050-721	
	On/Off Switch		060-521A	Y
	Orifice NG (#37A)	No longer available	079-830	
	Orifice LP (#51A)	No longer available	079-803	
	Piezo Ignitor		291-513	Y
	Pilot Assembly NG		4021-736	Y
	Pilot Assembly LP		4021-737	Y
	Thermopile		2103-512	Y
	Thermocouple		446-511	Y
	Pilot tube		SRV485-301	Y
	Touch Up Paint		TUP-GBK-12	
	Valve NG		060-522	Y
	Valve LP		060-523	Y
	Wire Assembly, 80"	No longer available	522-503A	
	Conversion Kit NG	No longer available	NGK-6TVB	
	Conversion Kit LP	No longer available	LPK-6TVB	
	Pilot Orifice NG		SRV446-505	Y
	Pilot Orifice LP		SRV446-517	Y
	Regulator NG		SRV060-518	Y
	Regulator LP		060-519	Y