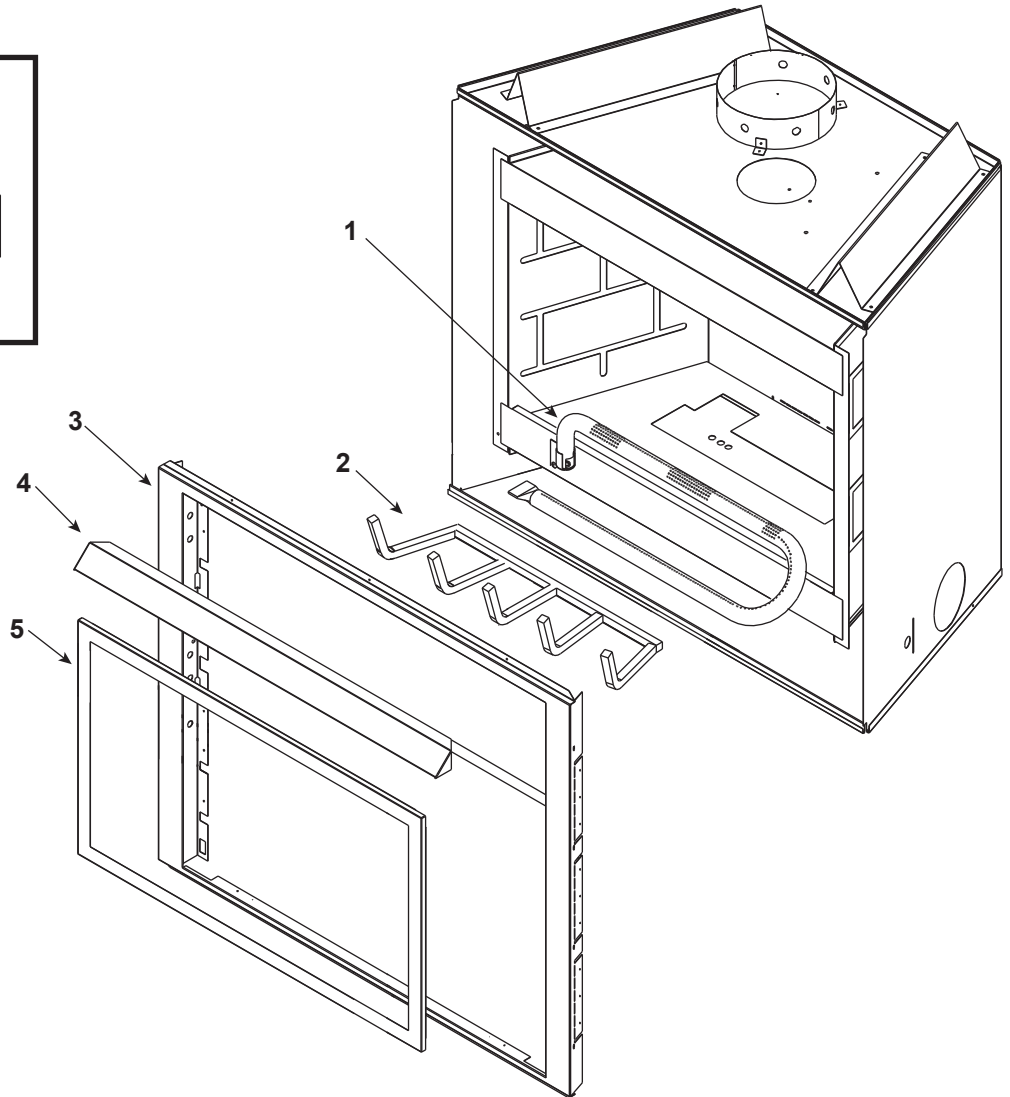
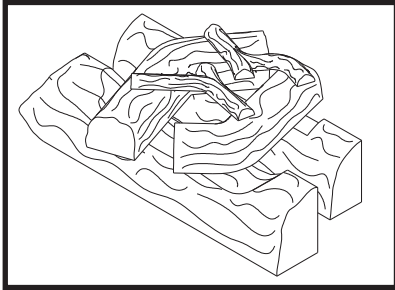


Log Set Assembly



IMPORTANT: THIS IS DATED INFORMATION. Parts must be ordered from a dealer or distributor. **Hearth and Home Technologies does not sell directly to consumers.** Provide model number and serial number when requesting service parts from your dealer or distributor.



Stocked at Depot

ITEM	DESCRIPTION	COMMENTS	PART NUMBER	
	Log Set Assembly	No longer available	LOGS-24S	
1	Burner NG	No longer available	060-336A	
		No longer available	073-326A	
	Burner LP	No longer available	060-335A	
		No longer available	073-325A	
2	Grate Assembly	No longer available	043-360A	
3	Surround	No longer available	414-130	
4	Hood		SRV60-143-BK	
5	Glass Door Assembly		GLA-36TV	Y

No one builds a better fire

IMPORTANT: THIS IS DATED INFORMATION. Parts must be ordered from a dealer or distributor. **Hearth and Home Technologies does not sell directly to consumers.** Provide model number and serial number when requesting service parts from your dealer or distributor.



**Stocked
at Depot**

ITEM	DESCRIPTION	COMMENTS	PART NUMBER	
	Burner Tube		477-301A	Y
	Base Refractory	No longer available	073-117	
	Door Assembly	No longer available	DF-36H	
	Ember Mesh Assembly	No longer available	073-169	
	Ember Reflector	No longer available	073-168	
	Flex Ball Valve Assembly		SRV302-320	Y
	High Limit Switch	Pre SN# 38341	SRV4021-383	Y
		Post SN# 38341	092-531	Y
	Junction Box		100-250A	Y
	Microswitch		060-514	Y
	Switch, ON/Off Rocker		060-521A	Y
	Mineral Wool		050-721	
	Orifice NG (#41A)	No longer available	061-800	
	Orifice NG (#39A)	No longer available	066-800	
	Orifice LP (#53A)	Pre 11880	060-801	Y
	Orifice LP (#52A)	No longer available	057-801	
	Piezo Ignitor		291-513	Y
	Pilot Assembly NG		446-512A	Y
	Pilot Assembly LP		446-513A	Y
	Thermopile		2103-512	Y
	Pilot Tube		SRV446-301	Y
	Touch Up Paint		TUP-GBK-12	
	Valve NG		060-500	Y
	Valve LP		060-501	Y
Standing Pilot Conversion Kits				
	Conversion Kit NG (No longer Available)	Pre 28601	NGK-6TV	
		Post 28601	NGK-TV93	
	Conversion Kit LP (No longer Available)	Pre 11880	LPK-6DV	
		Post 11880	LPK-6TV	
	Pilot Orifice NG		SRV446-505	Y
	Pilot Orifice LP		SRV446-517	Y
	Regulator NG		SRV060-518	Y
	Regulator LP		060-519	Y
HSI IGNITION ONLY				
	Valve, NG/LP (LP conversion option included)	No longer available	060-503	
	Ignitor	No longer available	060-593	
	Microswitch		040-520A	
	Module	No longer available	060-592	
	Transformer	No longer available	060-599	