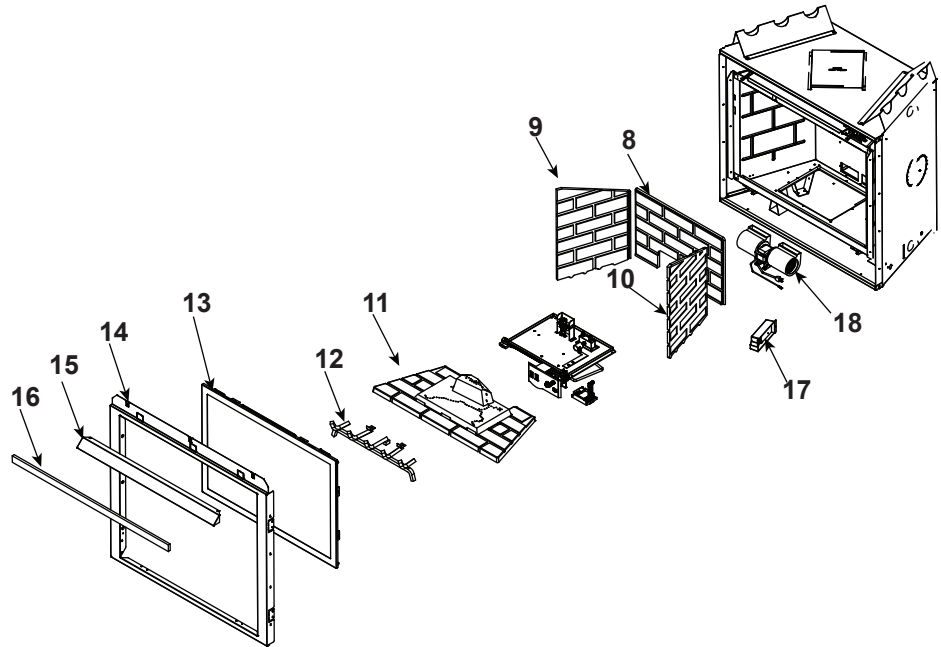


Log Set Assembly



IMPORTANT: THIS IS DATED INFORMATION. Parts must be ordered from a dealer or distributor. **Hearth and Home Technologies does not sell directly to consumers.** Provide model number and serial number when requesting service parts from your dealer or distributor.



Stocked at Depot

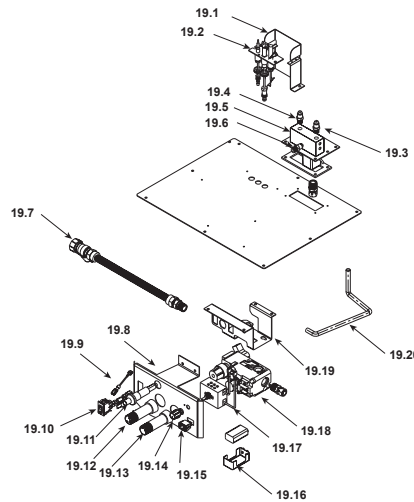
ITEM	DESCRIPTION	COMMENTS	PART NUMBER	
	Log Assembly, NG	No longer available	LOGS-6TRXI	
	Log Assembly, LP	No longer available	LOGS-6TRXILP	
1	Log #1 Flame Out of Log Right, NG	No longer available	SRV386-711A	
	Log #1 Flame Out of Log Right LP	No longer available	SRV386-721A	
2	Log #2 Flame Out of Log Left NG	No longer available	SRV386-710A	
	Log #2 Flame Out of Log left LP	No longer available	SRV386-720A	
3	Log #3	No longer available	SRV386-714	
4	Log #4	No longer available	SRV386-713	
5	Log #5	No longer available	SRV386-716	
6	Log #6	No longer available	SRV386-715	
7	Log #7	No longer available	SRV386-712	
	Refractory Kit	No longer available	BRICK-6000-FB	
8	Back Refractory	No longer available	SRV2027-370	
9	Left Refractory	No longer available	SRV2027-371	
10	Right Refractory	No longer available	SRV2027-372	
11	Burner Assembly		386-339A	
12	Grate Assembly		385-360A	
13	Glass Assembly		GLA-6TRXI	Y
14	Surround	No longer available	385-130	
15	Hood		SRV60-143-BK	
16	Insulation Board	No longer available	385-401	
17	Junction box		100-250A	Y
18	Blower		GFK-160A	

Additional service part numbers appear on following page.

No one builds a better fire

Beginning Manufacturing Date: April 2001
Ending Manufacturing Date: Oct 2003

#19 Valve Assembly



IMPORTANT: THIS IS DATED INFORMATION. Parts must be ordered from a dealer or distributor. **Hearth and Home Technologies does not sell directly to consumers.** Provide model number and serial number when requesting service parts from your dealer or distributor.



**Stocked
at Depot**

ITEM	DESCRIPTION	COMMENTS	PART NUMBER	
19.1	Pilot Bracket	No longer available	385-164	
19.2	Pilot Assembly, NG		4021-736	Y
	Pilot Assembly, LP		4021-737	Y
	Pilot Tube		SRV485-301	Y
	Thermocouple		446-511	Y
	Thermopile		2103-512	Y
19.3	Orifice, NG (#55C)	No longer available	582-855A	
	Orifice, LP (#68C)	No longer available	582-868A	
19.4	Orifice, NG (#55C)	No longer available	582-855A	
	Orifice, LP (#66C)	No longer available	582-866A	
19.5	Manifold Assembly	No longer available	SRV386-205	
19.6	Orifice, NG (#39C)	No longer available	582-839A	
	Orifice, LP (#54C)	No longer available	582-854A	
19.7	Flex Ball Valve Assembly		SRV302-320	Y
19.8	Control Panel	No longer available	385-154	
19.9	Wire Assembly	No longer available	049-552A	
19.10	On /Off Rocker Switch		060-521A	Y
19.11	Piezo Ignitor		SRV14D0503	Y
19.12	Pilot Control Knob	No longer available	571-530	
19.13	Flame Control Knob	No longer available	571-531	
19.14	Rheostat Knob		SRV100-512	Y
19.15	Switch Assembly	No longer available	386-520A	
19.16	Battery Holder	No longer available	386-511	
19.17	Rheostat		SRV100-510A	Y
19.18	Valve, NG		060-522	Y
	Valve, LP		060-523	Y
19.19	Valve Bracket	No longer available	2025-101	
19.20	Flex Gas Connector		477-301A	Y

Additional service part numbers appear on following page.

