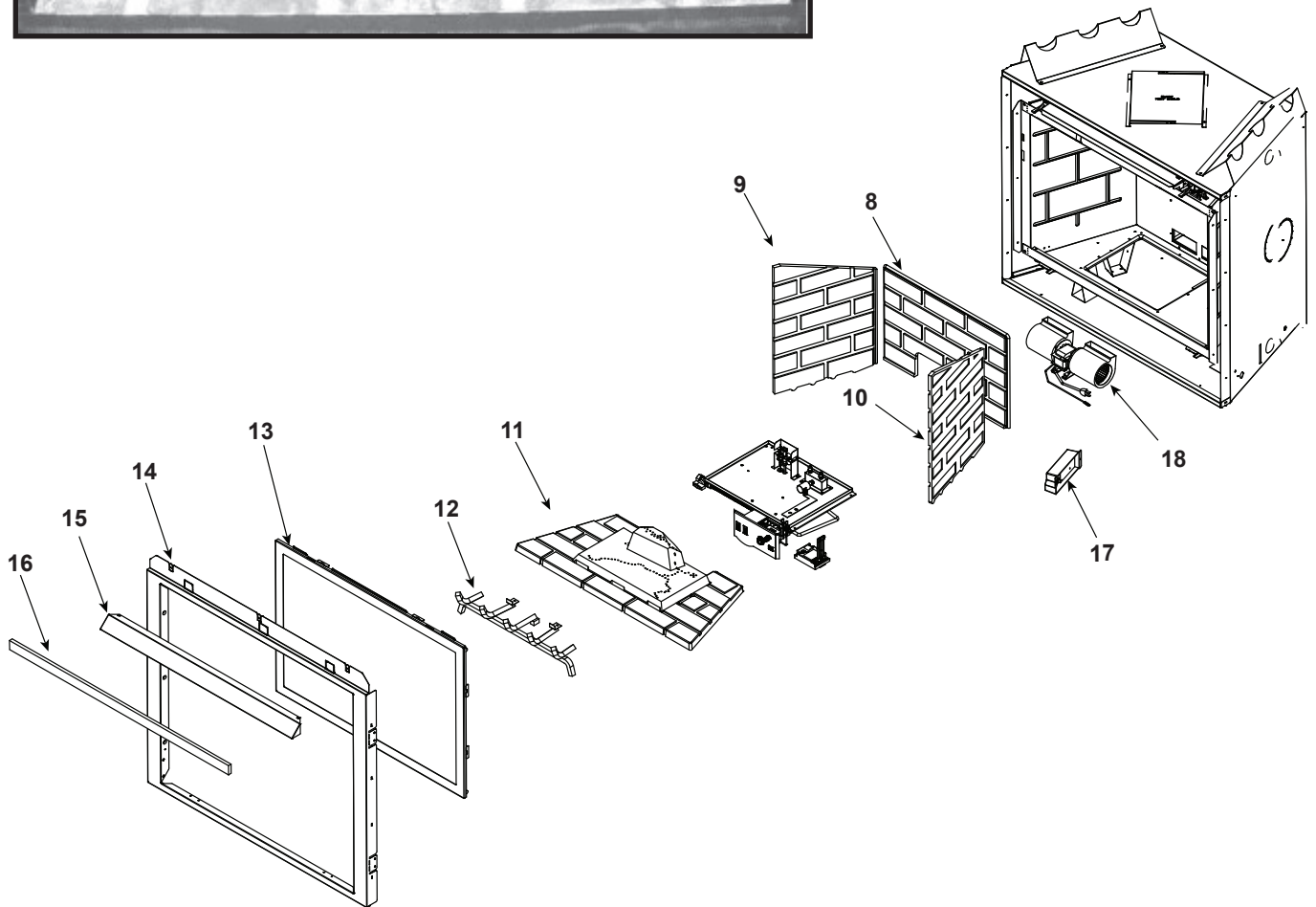
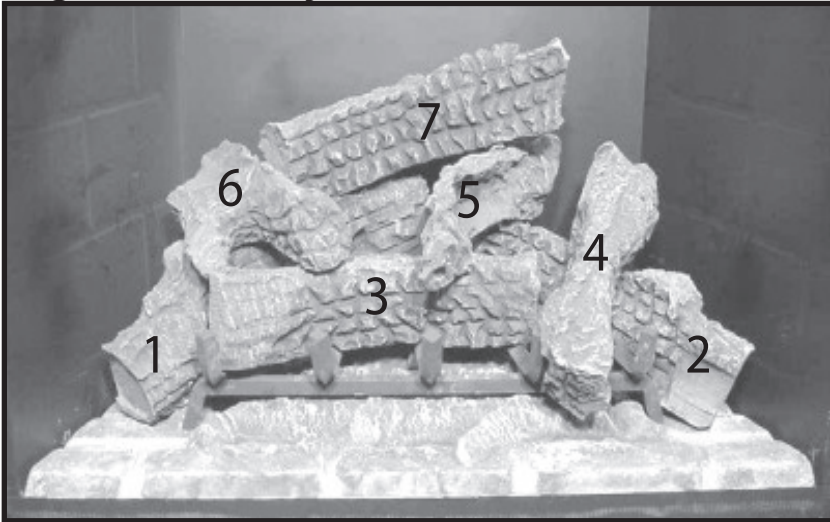


Log Set Assembly



Part number list on following page.

No one builds a better fire

IMPORTANT: THIS IS DATED INFORMATION. Parts must be ordered from a dealer or distributor. **Hearth and Home Technologies does not sell directly to consumers.** Provide model number and serial number when requesting service parts from your dealer or distributor.

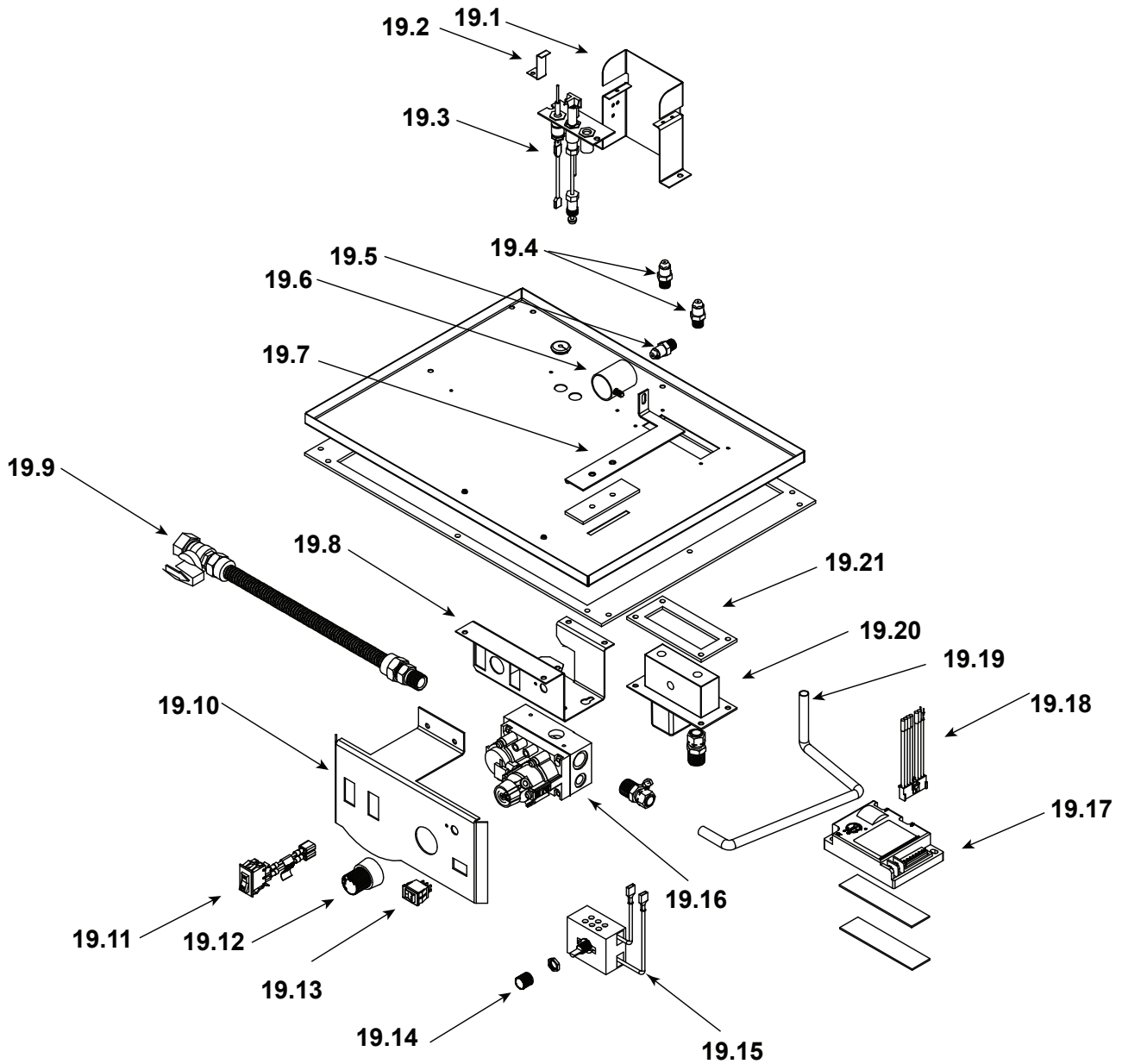


Stocked at Depot

ITEM	DESCRIPTION	COMMENTS	PART NUMBER	
	Log Assembly, NG		LOGS-6TRXIC	Y
	Log Assembly, LP		LOGS-6TRXILPC	Y
1	Log #1 Flame Out of Log Left, NG	No longer available, Must order complete assembly	SRV2101-085	
1	Log #1 Flame Out of Log Left, LP		SRV2101-087	
2	Log #2 Flame Out of Log Right, NG		SRV2101-086	
2	Log #2 Flame Out of Log Right, LP		SRV2101-088	
3	Log #3		SRV386-714	
4	Log #4		SRV386-713	
5	Log #5		SRV386-716	
6	Log #6		SRV386-715	
7	Log #7		SRV386-712	
	Refractory Kit		No longer available	BRICK-6000-FB
8	Back Refractory	No longer available	SRV2027-370	
9	Left Refractory	No longer available	SRV2027-371	
10	Right Refractory	No longer available	SRV2027-372	
11	Burner Assembly NG	Pre 002952047	SRV2027-007A-NG	
		Post 002952047	SRV2027-007A	
	Burner Assembly LP	Pre 002952047	SRV2027-007A-LP	
		Post 002952047	SRV2027-007A	
12	Grate Assembly		385-360A	
13	Glass Assembly		GLA-6TRXI	Y
14	Surround	No longer available	2026-108	
15	Hood		SRV60-143-BK	
16	Insulation Board	No longer available	385-401	
17	Junction box		SRV4021-013	Y
18	Blower		GFK-160A	
	Decorative Front		DF-6000	
	Flue Restrictor	No longer available	2027-102	
	Glass Latch Assembly	Pkg of 2	386-122A/2	Y
	Mineral Wool		050-721	
	Remote		SMART-STAT-HHT	
	Temp Sensor		107-531A	Y
	Thermostat		146-500	Y
	Touch Up Paint		TUP-GBK-12	
	Vermiculite Embers		MYSTIC-EMBERS	
	Wall Switch Kit		WSK-MLT	
	Wire assembly (20 Inch)		107-559A	Y

Additional service part numbers appear on following page.

#19 Valve Assembly



Part number list on following page.

No one builds a better fire

IMPORTANT: THIS IS DATED INFORMATION. Parts must be ordered from a dealer or distributor. **Hearth and Home Technologies does not sell directly to consumers.** Provide model number and serial number when requesting service parts from your dealer or distributor.



**Stocked
at Depot**

ITEM	DESCRIPTION	COMMENTS	PART NUMBER		
19.1	Pilot Bracket	No longer available	2027-121		
			Post 002952047	2025-110	
19.2	Ground Strap	No longer available	2025-512		
			Post 002952047	N/A	
19.3	Pilot Assembly, NG		Pre 002952047	4021-422	Y
			Post 002952047	SRV2090-012	Y
	Pilot Assembly, LP		Pre 002952047	4021-423	Y
			Post 002952047	2090-013	Y
19.4	Orifice, NG (#55C)	No longer available	582-855A		
	Orifice, LP (#68C)	No longer available	582-868A		
19.5	Orifice, NG (#39C)	No longer available	582-839A		
	Orifice, LP (#54C)	No longer available	582-854A		
19.6	Shutter Sleeve		2026-130	Y	
19.7	Shutter Bracket Assembly	No longer available	2026-017		
19.8	Valve Bracket	No longer available	2025-101		
19.9	Flex Ball Valve Assembly		SRV302-320	Y	
19.10	Control Panel	No longer available	2026-103		
19.11	On /Off Rocker Switch		060-521A	Y	
19.12	Flame Control Knob	No longer available	571-531		
19.13	Switch Assembly	No longer available	386-520A		
19.14	Rheostat Knob		SRV100-512	Y	
19.15	Rheostat		SRV100-510A	Y	
19.16	Valve, NG		750-500	Y	
	Valve, LP		750-501	Y	
19.17	Control Module		SRV593-592	Y	
19.18	Wire Assembly		SRV593-590	Y	
19.19	Flex Gas Connector		477-301A	Y	
19.20	Manifold Assembly	No longer available	SRV386-205		
19.21	Manifold Gasket	No longer available	385-410		
	3 Volt Transformer		SRV593-593	Y	
	9 Volt Battery Holder	No longer available	386-511		
	Battery Pack		SRV593-594	Y	
	Gasket Assembly	No longer available	SRV385-402A		
	Conversion Kit NG	No longer available	NGK-6TRXI-IPI		
	Conversion Kit LP	No longer available	LPK-6TRXI-IPI		
	Pilot Orifice NG		Pre 002952047	SRV446-505	Y
			Post 002952047	SRV593-528	Y
	Pilot Orifice LP		Pre 002952047	SRV446-517	Y
			Post 002952047	SRV593-527	Y
	Regulator NG		SRVNGK-DXV	Y	
	Regulator LP		SRVLPK-DXV	Y	