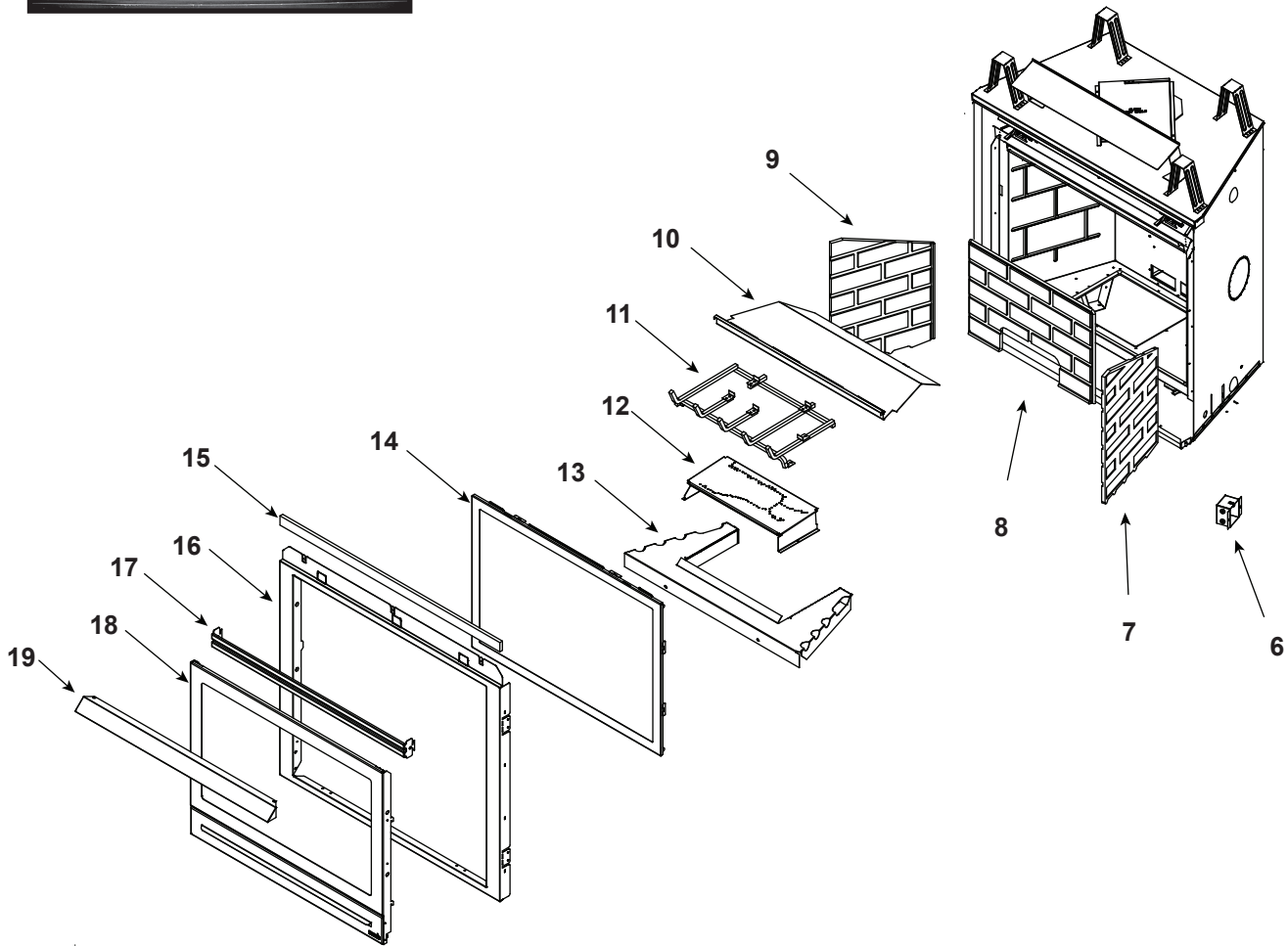


Log Set Assembly



Part number list on following page.



No one builds a better fire

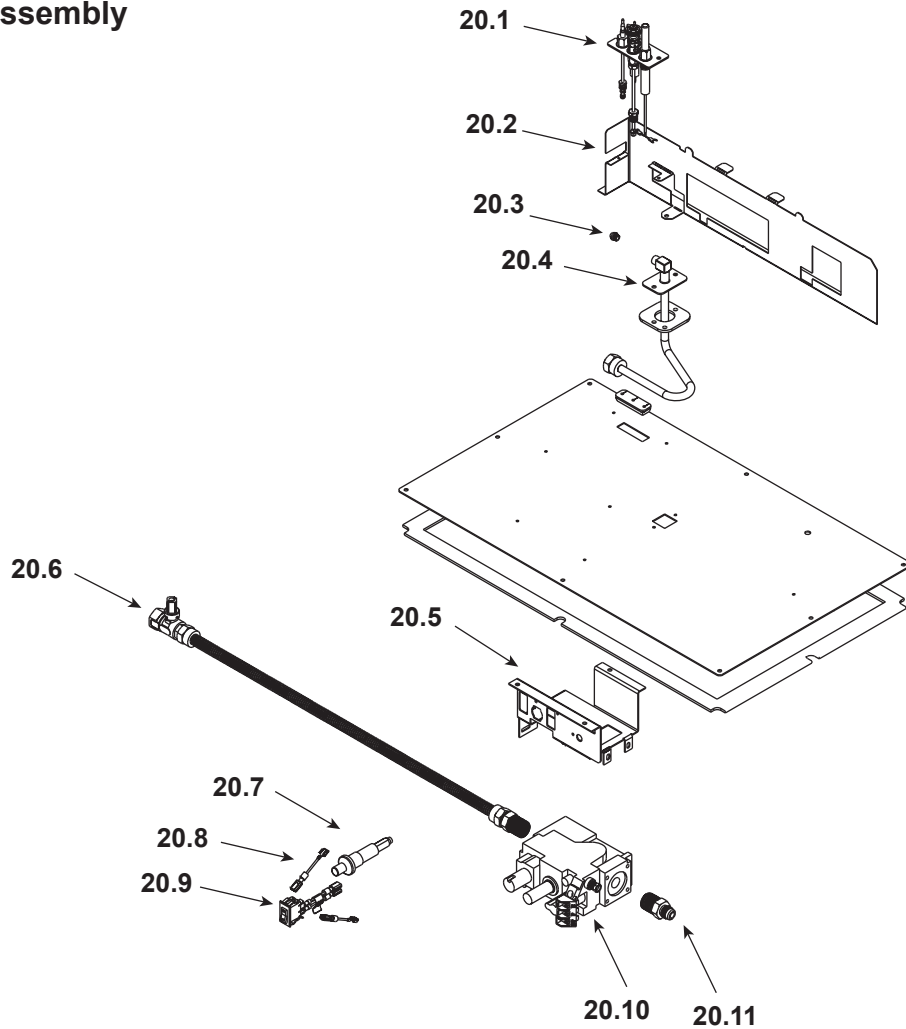
Beginning Manufacturing Date: Jan 2004
SP Ending Manufacturing Date: May 2014
DSI Ending Manufacturing Date: Mar 2008

IMPORTANT: THIS IS DATED INFORMATION. Parts must be ordered from a dealer or distributor. **Hearth and Home Technologies does not sell directly to consumers.** Provide model number and serial number when requesting service parts from your dealer or distributor.

ITEM	DESCRIPTION	COMMENTS	PART NUMBER
	Log Set Assembly		LOGS-6TRSCE
1	Log #1	No longer available, Must order complete assembly	SRV2049-700
2	Log #2		SRV2049-701
3	Log #3		SRV385-723
4	Log #4		SRV385-721
5	Log #5		SRV385-722
6	Junction Box	No longer available	546-250A
	Refractory Kit	No longer available	BRICK-6000-FB
7	Refractory, Right	No longer available	SRV2027-372
8	Refractory, Back	No longer available	SRV2027-370
9	Refractory, Left	No longer available	SRV2027-371
10	Exhaust Restrictor		530-299
11	Grate		SRV2049-020
12	Burner Assembly P		2049-012
	Burner Assembly B		2049-014
13	Base Refractory		2049-102
14	Glass Door Assembly		GLA-6TRXI
15	Insulation Board	No longer available	385-401
16	Surround	No longer available	SRV2101-260
		No longer available	2166-019
17	Top Louver	No longer available	392-182A
18	Dress Guard	No longer available	392-180A
19	Hood		SRV60-143-BK
	Gasket Assembly Contains Burner neck, shutter bracket, vent, seal cap, and valve plate gaskets		2166-081
	Glass Latch Assembly	Pkg of 2	33858/2
	Exhaust Baffle	No longer available	2049-101
	Mineral Wool		050-721
	Touch-Up Paint		TUP-GBK-12
	Conversion Kits		
	Butane to Propane	No longer available	LPK-6TRS-CE
	Propane to Butane	No longer available	BGK-6TRS-CE
	Regulator		SRV230-1520
	Pilot Orifice P/ B		SRV200-2630

Additional service part numbers appear on following page.

#20 Valve Assembly

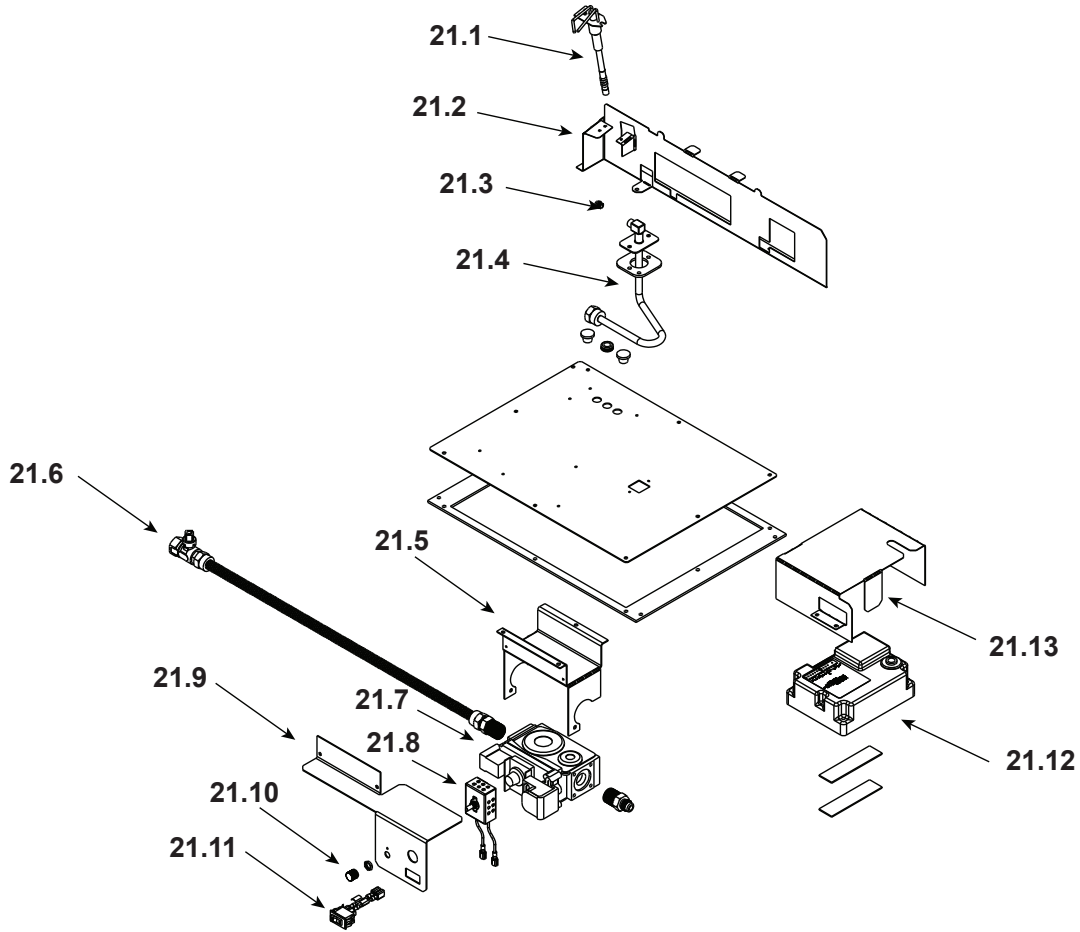


IMPORTANT: THIS IS DATED INFORMATION. Parts must be ordered from a dealer or distributor. **Hearth and Home Technologies does not sell directly to consumers.** Provide model number and serial number when requesting service parts from your dealer or distributor.

ITEM	DESCRIPTION	COMMENTS	PART NUMBER
20.1	Pilot Assembly P	No longer available	529-551A
20.2	Pilot Bracket		2049-105
20.3	Orifice P (1.8 MM)		582-818
	Orifice B (#51C)		SRV582-851
20.4	12" Flex		383-302A
20.5	Valve Bracket		2118-104
20.6	Flexible Gas Connector		302-330A
20.7	Piezo Ignitor		SRV14D0503
20.8	Wire Assembly	No longer available	049-552A
20.9	On/ Off Rocker Switch		060-521A
20.10	Valve P	No longer available	060-526
20.11	Brass Connector	Pkg of 5	303-315/5

Additional service part numbers appear on following page.

#21 DSI Valve Assembly



IMPORTANT: THIS IS DATED INFORMATION. Parts must be ordered from a dealer or distributor. **Hearth and Home Technologies does not sell directly to consumers.** Provide model number and serial number when requesting service parts from your dealer or distributor.

ITEM	DESCRIPTION	COMMENTS	PART NUMBER
21.1	Ignitor	No longer available	529-591
21.2	Pilot Bracket	No longer available	2049-106
21.3	Orifice P (1.8 MM)		582-818
	Orifice B (#51C)		SRV582-851
21.4	12" Flex		383-302A
21.5	Valve Bracket	No longer available	2049-108
21.6	Flexible Gas Connector		302-330A
21.7	Valve P	No longer available	529-500
21.8	Rheostat Assembly		491-510A
21.9	Control Panel	No longer available	2049-109
21.10	Rheostat Knob		SRV100-512
21.11	On/ Off Rocker Switch		060-521A
21.12	Module	No longer available	529-510
21.13	Heat Shield, DSI Module	No longer available	2049-120
	Wiring Harness	No longer available	529-530A