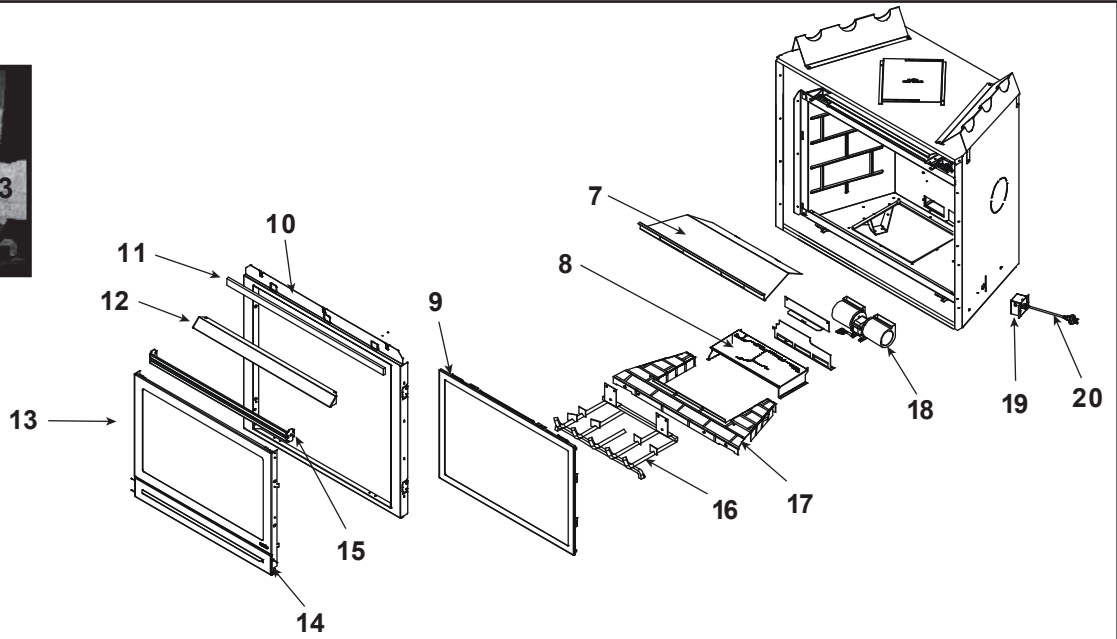
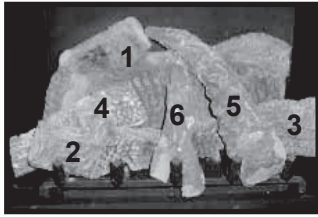


Log Set Assembly



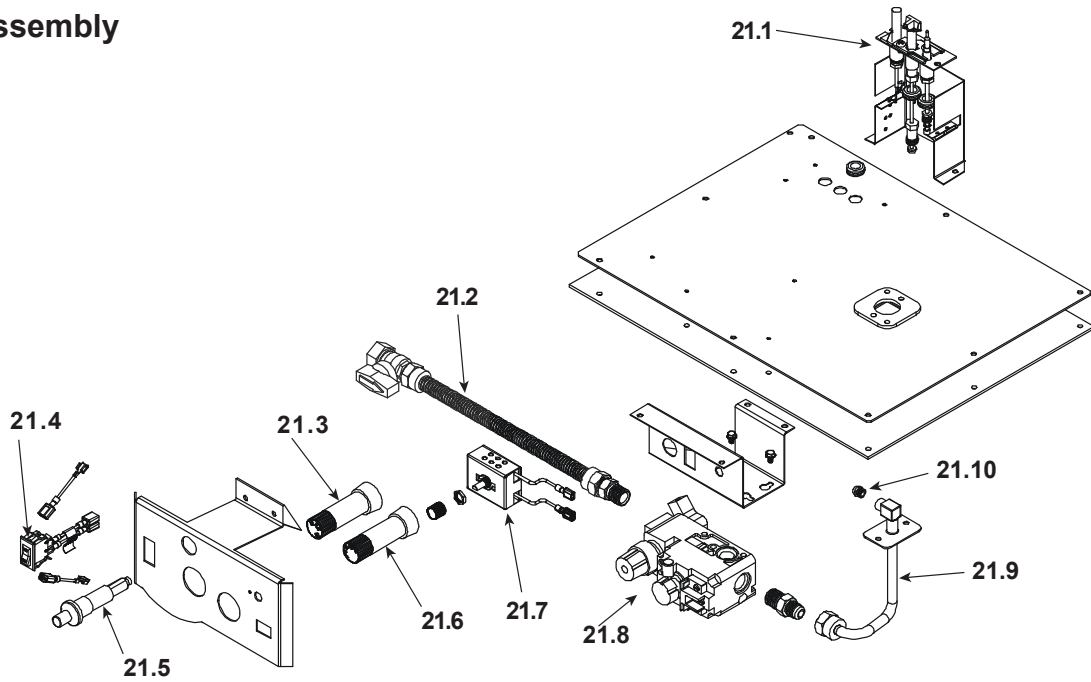
IMPORTANT: THIS IS DATED INFORMATION. Parts must be ordered from a dealer or distributor. **Hearth and Home Technologies does not sell directly to consumers.** Provide model number and serial number when requesting service parts from your dealer or distributor.

ITEM	DESCRIPTION	COMMENTS	PART NUMBER
	Log Set Assembly		LOGS-6TRS-AU
1	Log #1	No longer available, Must order complete assembly	SRV2022-701
2	Log #2		SRV382-702
3	Log #3		SRV382-703
4	Log #4		SRV675-723
5	Log #5		SRV382-705
6	Log #6		SRV438-724
7	Heat Shield Baffle	No longer available	2022-100
8	Burner Assembly - NG		392-176A
	Burner Assembly - LP		392-175A
9	Glass Door Assembly		GLA-6TRXI
10	Surround	No longer available	2026-108
11	Insulation Board	No longer available	385-401
12	Hood		SRV60-143-BK
13	Dress Guard	No longer available	392-180A
14	Lower Door	No longer available	392-181
15	Top Louver	No longer available	392-182A
16	Grate	No longer available	392-360A
17	Base Refractory	No longer available	392-129
18	Blower Assembly 240v.		GFK-240V
19	Junction Box	No longer available	546-250A
20	Cord	No longer available	546-251A
	Temperature Sensor		046-530

No one builds a better fire

Beginning Manufacturing Date: June 2003
Ending Manufacturing Date: June 2005

#21 Valve Assembly



IMPORTANT: THIS IS DATED INFORMATION. Parts must be ordered from a dealer or distributor. **Hearth and Home Technologies does not sell directly to consumers.** Provide model number and serial number when requesting service parts from your dealer or distributor.

ITEM	DESCRIPTION	COMMENTS	PART NUMBER
21.1	Pilot Assembly - NG		2103-010
	Pilot Assembly - LP		2103-011
	Pilot Tube		SRV446-301
	Thermocouple		446-511
	Thermopile		2103-512
21.2	Flex Ball Valve		SRV302-320
21.3	Pilot Control Knob	No longer available	571-530
21.4	ON/OFF, Switch		SRV32D0232
21.5	Piezo Ignitor		SRV14D0503
21.6	Flame Control Knob	No longer available	571-531
21.7	Rheostat		491-510A
21.8	Valve - NG		060-522
	Valve - LP		060-523
21.9	Burner Tube		383-302A
21.10	Orifice - NG		582-833
	Orifice - LP		582-818
	Conversion Kit - LP	No longer available	LPK-6TRSAUB
	Pilot Orifice - NG		SRV446-505
	Pilot Orifice - LP		SRV446-517
	Regulator NG		SRV060-518
	Regulator LP		060-519