

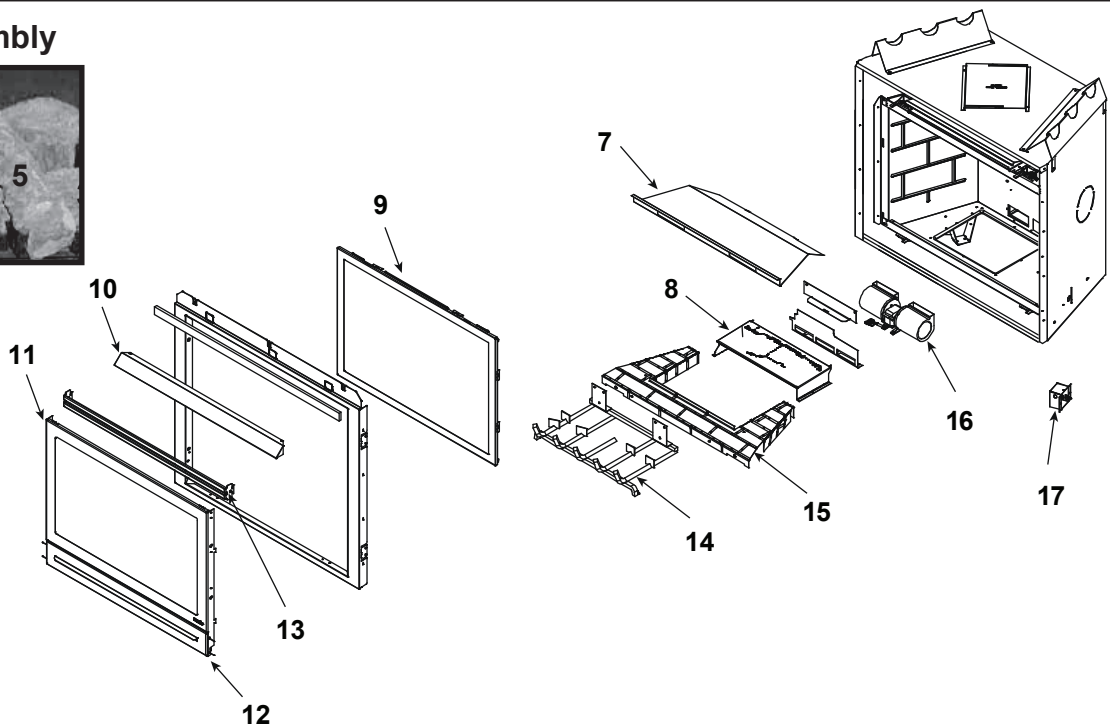
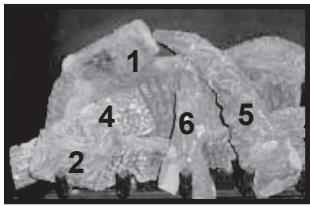
No one builds a better fire

36" Gas Fireplace - Dv

Beginning Manufacturing Date: Apr 2002

Ending Manufacturing Date: Jul 2003

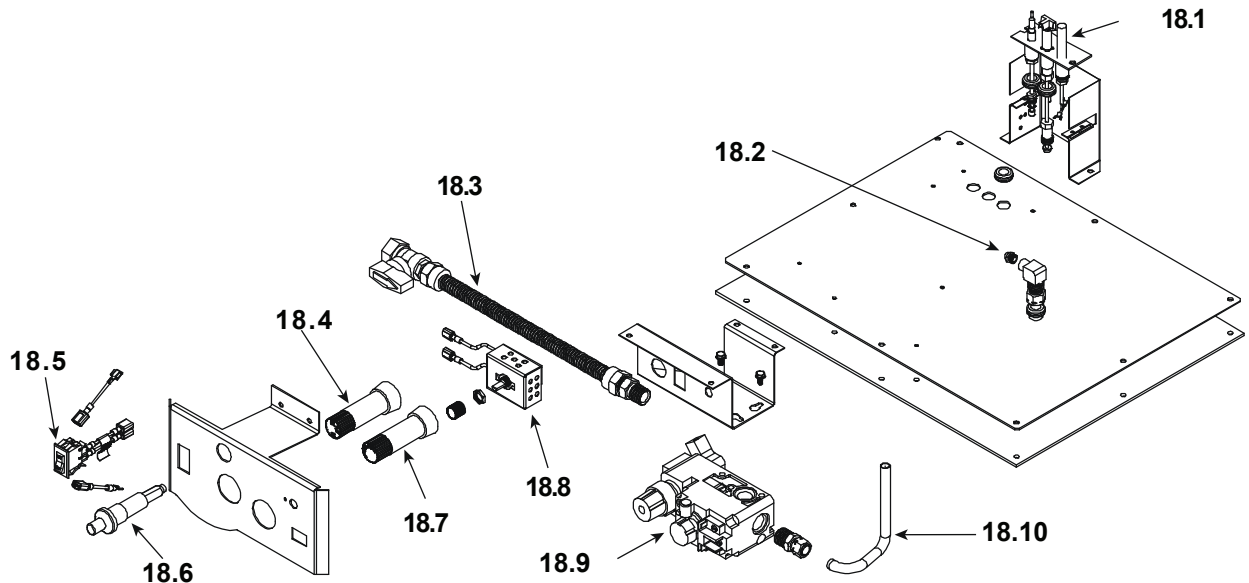
Log Set Assembly



IMPORTANT: THIS IS DATED INFORMATION. Parts must be ordered from a dealer or distributor. **Hearth and Home Technologies does not sell directly to consumers.** Provide model number and serial number when requesting service parts from your dealer or distributor.

ITEM	DESCRIPTION	COMMENTS	PART NUMBER
	Log Set Assembly		LOGS-6TRS-AU
1	Log #1	No longer available, Must order complete assembly	SRV2022-701
2	Log #2		SRV382-702
3	Log #3		SRV382-703
4	Log #4		SRV675-723
5	Log #5		SRV382-705
6	Log #6		SRV438-724
7	Heat Shield Baffle	No longer available	392-108
8	Burner Assembly - NG		392-176A
	Burner Assembly - LP		392-175A
9	Glass Door Assembly		GLA-6TRXI
10	Hood		SRV60-143-BK
11	Dress Guard	No longer available	392-180A
12	Lower Door	No longer available	392-181
13	Top Louver	No longer available	392-182A
14	Grate	No longer available	392-360A
15	Base Refractory	No longer available	392-129
16	Blower Assembly 240v.		GFK-240V
17	Junction Box	No longer available	546-250A
	Temperature Sensor		046-530

#18 Valve Assembly



IMPORTANT: THIS IS DATED INFORMATION. Parts must be ordered from a dealer or distributor. **Hearth and Home Technologies does not sell directly to consumers.** Provide model number and serial number when requesting service parts from your dealer or distributor.

ITEM	DESCRIPTION	COMMENTS	PART NUMBER
18.1	Pilot Assembly NG		2103-010
	Pilot Assembly LP		2103-011
	Pilot Tube		SRV446-301
	Thermocouple		446-511
	Thermopile		2103-512
18.2	Orifice NG		582-833
	Orifice LP		582-818
18.3	Flex Ball Valve		SRV302-320
18.4	Pilot Control Knob	No longer available	571-530
18.5	ON/OFF, Switch		SRV32D0232
18.6	Piezo Ignitor		SRV14D0503
18.7	Flame Control Knob	No longer available	571-531
18.8	Rheostat		491-510A
18.9	Valve - NG		060-522
	Valve - LP		060-523
18.10	Burner Tube		477-301A
	Conversion Kit - LP	No longer available	LPK-6TRSAU
	Pilot Orifice - NG		SRV446-505
	Pilot Orifice - LP		SRV446-517
	Regulator NG		SRV060-518
	Regulator LP		060-519