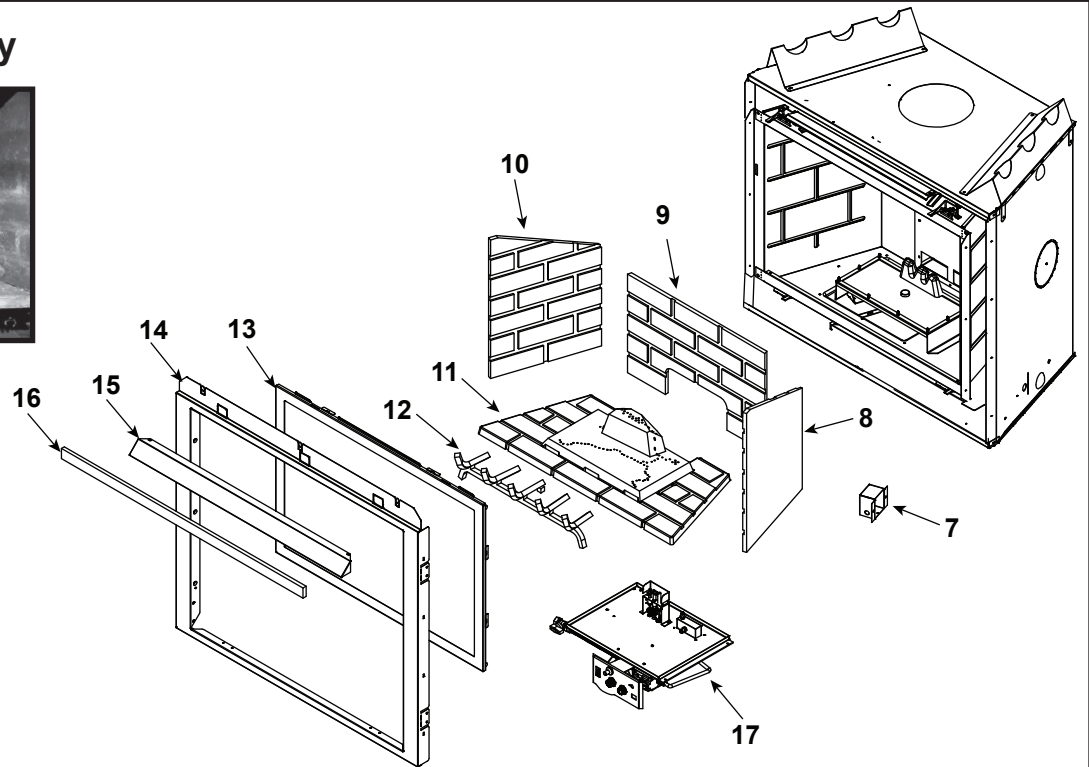


Log Set Assembly



IMPORTANT: THIS IS DATED INFORMATION. Parts must be ordered from a dealer or distributor. **Hearth and Home Technologies does not sell directly to consumers.** Provide model number and serial number when requesting service parts from your dealer or distributor.



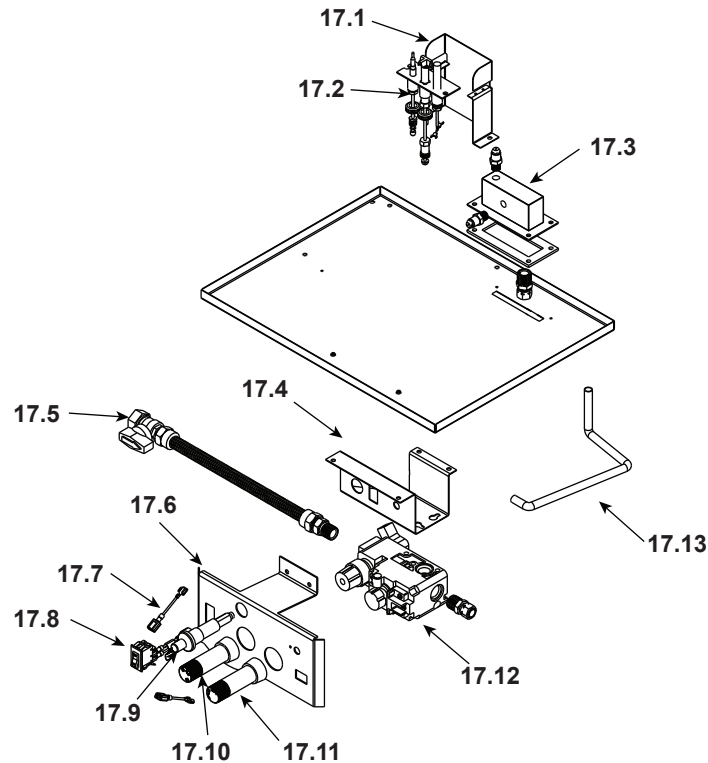
Stocked at Depot

ITEM	DESCRIPTION	COMMENTS	PART NUMBER	
	Log Set Assembly	No longer available	LOGS-6TRIB	
1	Log 1	No longer available, Must order complete assembly	SRV385-735	
2	Log 2		SRV385-738	
3	Log 3		SRV385-739	
4	Log 4		SRV385-737	
5	Log 5		SRV385-736	
6	Log 6		SRV385-740	
7	Junction Box		100-250A	Y
	Wall Refractory Kit	No longer available	BRICK-6000-FB	
8	Right Wall	No longer available	SRV2027-372	
9	Back Wall	No longer available	SRV2027-370	
10	Left Wall	No longer available	SRV2027-371	
11	Burner NG, LP		385-339A	
12	Grate Assembly		385-360A	
13	Glass Door Assembly		GLA-6TROC	Y
14	Surround	No longer available	385-130	
15	Hood		SRV60-143-BK	
16	Non-comb board	No longer available	385-401	

No one builds a better fire

Beginning Manufacturing Date: June 2001
Ending Manufacturing Date: July 2003

#17 Valve Assembly



IMPORTANT: THIS IS DATED INFORMATION. Parts must be ordered from a dealer or distributor. **Hearth and Home Technologies does not sell directly to consumers.** Provide model number and serial number when requesting service parts from your dealer or distributor.



**Stocked
at Depot**

ITEM	DESCRIPTION	COMMENTS	PART NUMBER	
17.1	Pilot Bracket	No longer available	385-164	
17.2	Pilot Assembly NG		4021-736	Y
	Pilot Assembly LP		4021-737	Y
	Pilot Tube		SRV485-301	Y
	Thermocouple		446-511	Y
	Thermopile		2103-512	Y
17.3	Manifold Assembly	No longer available	2102-007	
17.4	Valve Bracket	No longer available	2025-101	
17.5	Flex Ball Valve Assembly		SRV302-320	Y
17.6	Control Panel	No longer available	385-154	
17.7	Wire Assembly	No longer available	049-552A	
17.8	ON/Off Rocker Switch		060-521A	Y
17.9	Piezo Ignitor		291-513	Y
17.10	Pilot Control Knob	No longer available	571-530	
17.11	Flame control Knob	No longer available	571-531	
17.12	Valve NG		060-522	Y
	Valve LP		060-523	Y
17.13	Flexible Gas Connector		477-301A	Y

Additional service part numbers appear on following page.



No one builds a better fire

Beginning Manufacturing Date: June 2001
Ending Manufacturing Date: July 2003

IMPORTANT: THIS IS DATED INFORMATION. Parts must be ordered from a dealer or distributor. **Hearth and Home Technologies does not sell directly to consumers.** Provide model number and serial number when requesting service parts from your dealer or distributor.



Stocked
at Depot

ITEM	DESCRIPTION	COMMENTS	PART NUMBER	
	Decorative Front		DF-6000	
	Fan Kit		GFK-160A	
	Flue Restrictor		385-128	
	Glass Latch Assembly	Pkg of 2	386-122A/2	Y
	Mineral Wool		050-721	
	Orifice NG (#43C)	No longer available	582-843A	
	Orifice NG (#53C)	No longer available	582-853A	
	Orifice LP (#54C)	No longer available	SRV582-854A	
	Orifice LP (#66C)	No longer available	582-866A	
	Remote		SMART-STAT-HHT	
	Touch Up Paint		TUP-GBK-12	
	Vermiculite Embers		MYSTIC-EMBERS	
	Conversion Kit NG	No longer available	NGK-6TRI	
	Conversion Kit LP	No longer available	LPK-6TRI	
	Pilot Orifice NG		SRV446-505	Y
	Pilot Orifice LP		SRV446-517	Y
	Regulator NG		SRV060-518	Y
	Regulator LP		060-519	Y