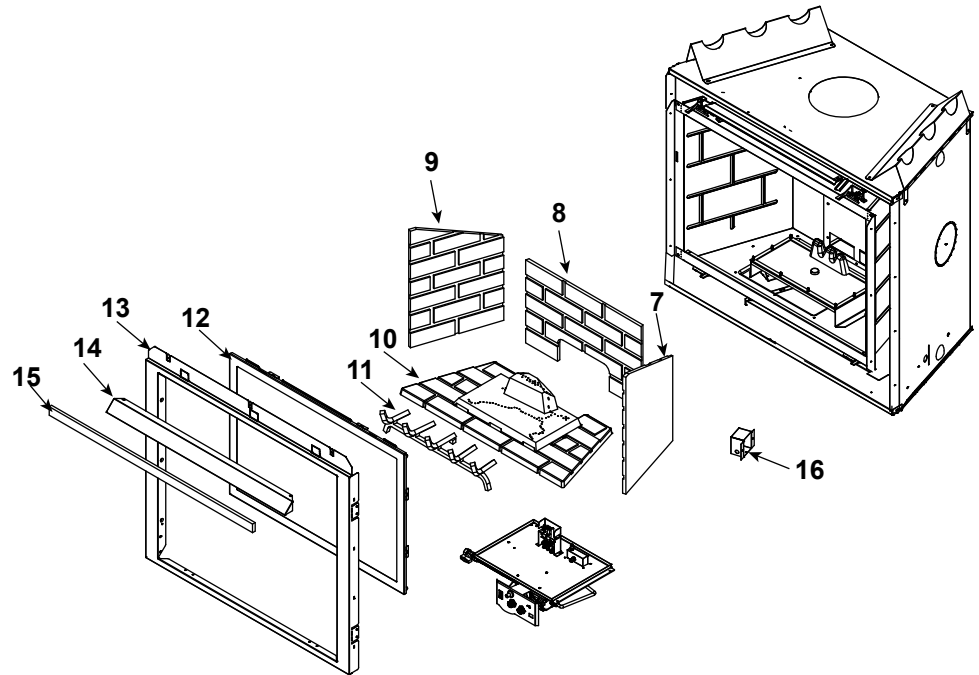


Log Set Assembly



IMPORTANT: THIS IS DATED INFORMATION. Parts must be ordered from a dealer or distributor. **Hearth and Home Technologies does not sell directly to consumers.** Provide model number and serial number when requesting service parts from your dealer or distributor.



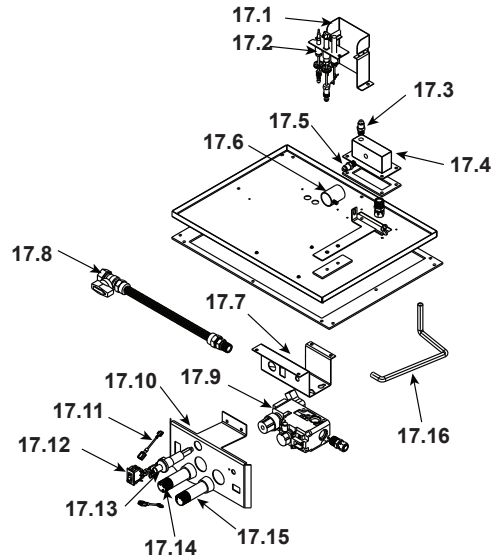
Stocked at Depot

ITEM	DESCRIPTION	COMMENTS	PART NUMBER	
	Log Set Assembly		LOGS-6TRIC	Y
1	Log 1	No longer available, Must order complete assembly	SRV2026-071	
2	Log 2		SRV385-738	
3	Log 3		SRV385-739	
4	Log 4		SRV385-737	
5	Log 5		SRV385-736	
6	Log 6		SRV385-740	
	Wall Refractory Kit	No longer available	BRICK-6000-FB	
7	Right Wall	No longer available	SRV2027-372	
8	Back Wall	No longer available	SRV2027-370	
9	Left Wall	No longer available	SRV2027-371	
10	Burner NG, LP	Pre 002324002	385-339A	
		Post 002324002	SRV2026-007A	
11	Grate Assembly		385-360A	
12	Glass Door Assembly		GLA-6TROC	Y
13	Surround	No longer available	385-130	
		No longer available	2026-108	
14	Hood		SRV60-143-BK	
15	Insulation Board	No longer available	385-401	
16	Junction Box		SRV4021-013	Y

No one builds a better fire

Beginning Manufacturing Date: June 2003
Ending Manufacturing Date: Jan 2004

#17 Valve Assembly



IMPORTANT: THIS IS DATED INFORMATION. Parts must be ordered from a dealer or distributor. **Hearth and Home Technologies does not sell directly to consumers.** Provide model number and serial number when requesting service parts from your dealer or distributor.



**Stocked
at Depot**

ITEM	DESCRIPTION	COMMENTS	PART NUMBER	
17.1	Pilot Bracket	No longer available	385-164	
17.2	Pilot Assembly NG		4021-736	Y
	Pilot Assembly LP		4021-737	Y
	Pilot Tube		SRV485-301	Y
	Thermocouple		446-511	Y
	Thermopile		2103-512	Y
17.3	Orifice NG (#43C)	No longer available	582-843A	
	Orifice LP (#54C)	No longer available	582-854A	
17.4	Manifold Assembly	No longer available	2102-007	
17.5	Orifice NG (#53C)	No longer available	582-853A	
	Orifice LP (#66C)	No longer available	582-866A	
17.6	Shutter Assembly		319-316A	Y
17.7	Valve Bracket	No longer available	550-169	
17.8	Flex Ball Valve Assembly		SRV302-320	Y
17.9	Valve NG		060-522	Y
	Valve LP		060-523	Y
17.10	Control Panel		385-154	
17.11	Wire Assembly	No longer available	049-552A	
17.12	ON/Off Rocker Switch		060-521A	Y
17.13	Piezo Ignitor		291-513	Y
17.14	Pilot Control Knob	No longer available	571-530	
17.15	Flame control Knob	No longer available	571-531	
17.16	Flexible Gas Connector		477-301A	Y

Additional service part numbers appear on following page.

