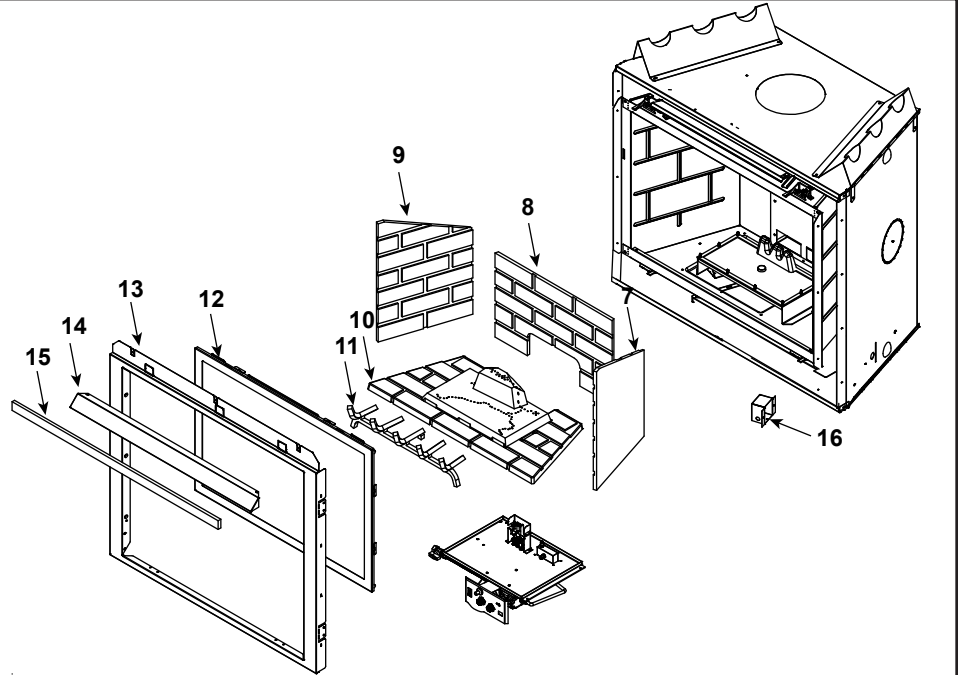


### Log Set Assembly



**IMPORTANT: THIS IS DATED INFORMATION.** Parts must be ordered from a dealer or distributor. **Hearth and Home Technologies does not sell directly to consumers.** Provide model number and serial number when requesting service parts from your dealer or distributor.



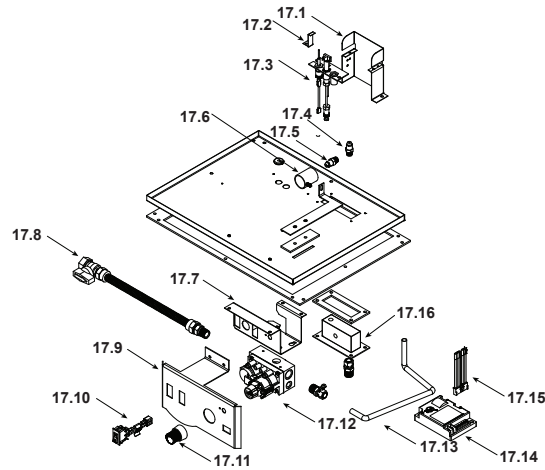
**Stocked at Depot**

| ITEM | DESCRIPTION           | COMMENTS   | PART NUMBER   |   |
|------|-----------------------|--|---------------|---|
|      | Log Set Assembly      |  | LOGS-6TRIC    | Y |
| 1    | Log 1                 | <b>No longer available, Must order complete assembly</b> | SRV2026-071   |   |
| 2    | Log 2                 |  | SRV385-738    |   |
| 3    | Log 3                 |  | SRV385-739    |   |
| 4    | Log 4                 |  | SRV385-737    |   |
| 5    | Log 5                 |  | SRV385-736    |   |
| 6    | Log 6                 |  | SRV385-740    |   |
|      | Wall Refractory Kit   | <b>No longer available</b>                               | BRICK-6000-FB |   |
| 7    | Right Wall            | <b>No longer available</b>                               | SRV2027-372   |   |
| 8    | Back Wall             | <b>No longer available</b>                               | SRV2027-370   |   |
| 9    | Left Wall             | <b>No longer available</b>                               | SRV2027-371   |   |
| 10   | Burner NG, LP         | Pre 002324002  | 385-339A      |   |
|      |                       | Post 002324002   | SRV2026-007A  |   |
| 11   | Grate Assembly        |  | 385-360A      |   |
| 12   | Glass Door Assembly   |  | GLA-6TROC     | Y |
| 13   | Surround              | <b>No longer available</b>                               | 385-130       |   |
|      |                       | <b>No longer available</b>                               | 2026-108      |   |
| 14   | Hood                  |  | SRV60-143-BK  |   |
| 15   | Non Combustible Board | <b>No longer available</b>                               | 385-401       |   |
| 16   | Junction Box          | Pre 002324002  | 383-250A      | Y |
|      |                       | Post 002324002   | SRV4021-013   | Y |

No one builds a better fire

Beginning Manufacturing Date: May 2001  
Ending Manufacturing Date: June 2005

### #17 Valve Assembly



IMPORTANT: THIS IS DATED INFORMATION. Parts must be ordered from a dealer or distributor. **Hearth and Home Technologies does not sell directly to consumers.** Provide model number and serial number when requesting service parts from your dealer or distributor.



**Stocked  
at Depot**

| ITEM  | DESCRIPTION                                | COMMENTS            | PART NUMBER |   |
|-------|--|---------------------|-------------|---|
| 17.1  | Pilot Bracket                              | No longer available | 385-164     |   |
| 17.2  | Ground Strap                               | No longer available | 2025-512    |   |
| 17.3  | Pilot Assembly NG                          | Pre 002324002       | SRV4021-730 | Y |
|       |  | Post 002324002      | 4021-422    | Y |
|       | Pilot Assembly LP                          | Pre 002324002       | SRV4021-731 | Y |
|       |  | Post 002324002      | 4021-423    | Y |
|       | Pilot Tube                                 |                     | SRV485-301  | Y |
| 17.4  | Orifice NG (#53C)                          | No longer available | 582-853A    |   |
|       | Orifice LP (#66C)                          | No longer available | 582-866A    |   |
| 17.5  | Orifice NG (#43C)                          | No longer available | 582-843A    |   |
|       | Orifice LP (#54C)                          | No longer available | 582-854A    |   |
| 17.6  | Shutter Assembly                           |                     | 319-316A    | Y |
| 17.7  | Valve Bracket                              | No longer available | 550-169     |   |
|       |  | No longer available | 2025-101    |   |
| 17.8  | Flex Ball Valve Assembly                   |                     | SRV302-320  | Y |
| 17.9  | Control Panel                              | Pre 002324002       | N/A         |   |
|       |  | No longer available | 2026-103    |   |
| 17.10 | ON/Off RockerSwitch                        |                     | 060-521A    | Y |
| 17.11 | Flame control Knob ( No longer available ) | Pre 002324002       | N/A         |   |
|       |  | No longer available | 571-531     |   |
| 17.12 | Valve NG                                   |                     | 750-500     | Y |
|       | Valve LP                                   |                     | 750-501     | Y |
| 17.13 | Flexible Gas Connector                     |                     | 477-301A    | Y |
| 17.14 | Control Module                             |                     | SRV593-592  | Y |
| 17.15 | Wire Assembly                              |                     | SRV593-590  | Y |
| 17.16 | Manifold Assembly                          | No longer available | 2102-007    |   |

Additional service part numbers appear on following page.

