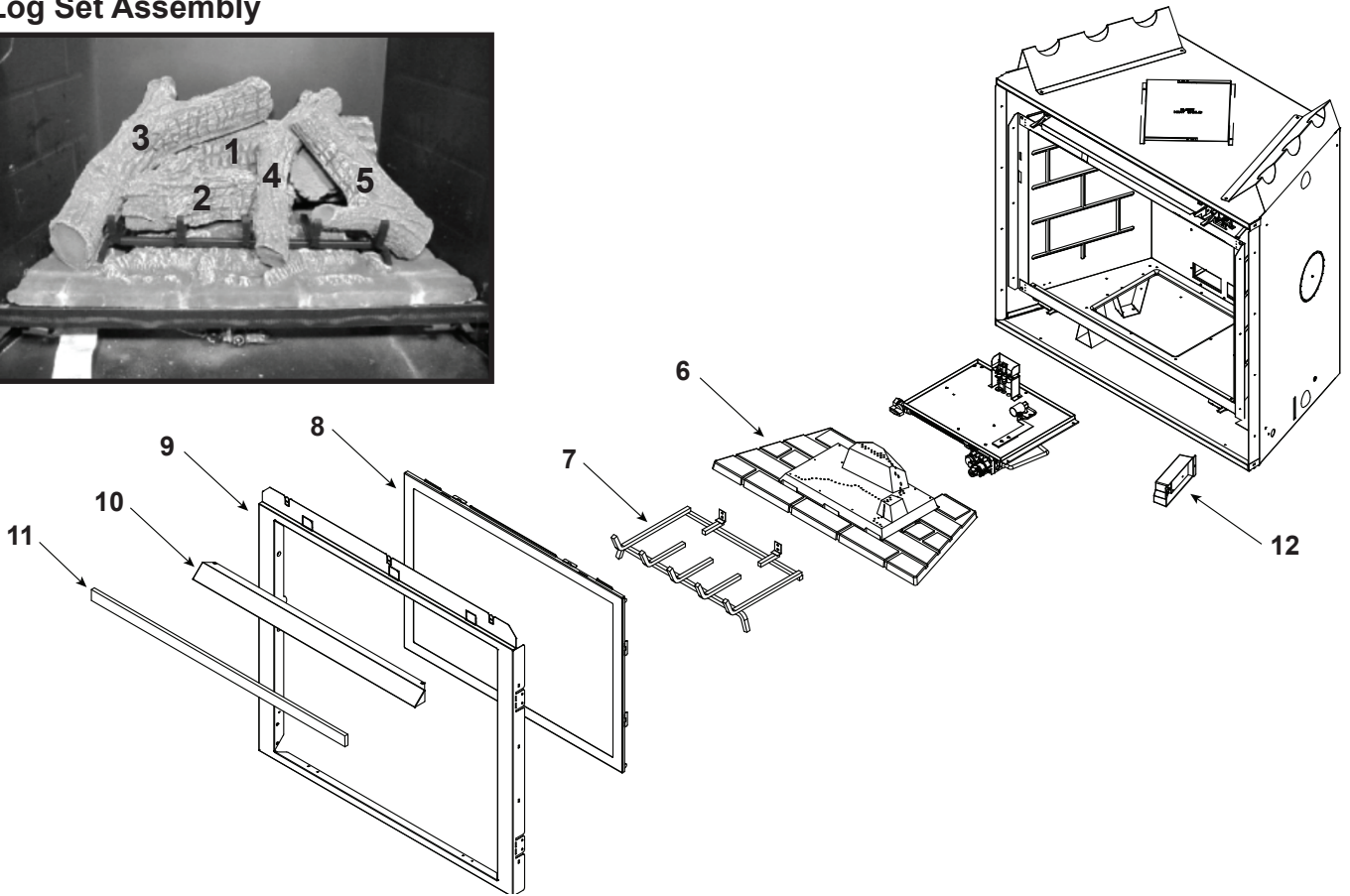


Log Set Assembly



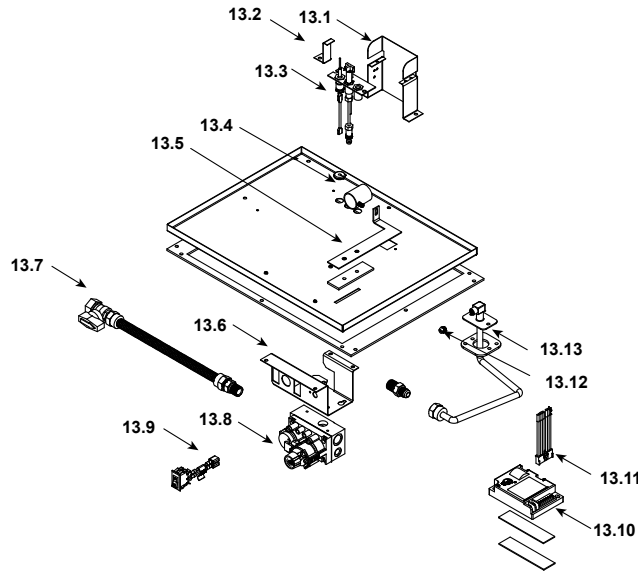
IMPORTANT: THIS IS DATED INFORMATION. Parts must be ordered from a dealer or distributor. **Hearth and Home Technologies does not sell directly to consumers.** Provide model number and serial number when requesting service parts from your dealer or distributor.



Stocked at Depot

ITEM	DESCRIPTION	COMMENTS	PART NUMBER	
	Log Set Assembly		LOGS-6OAK	Y
1	Log 1	No longer available, Must order complete assembly	SRV385-720	
2	Log 2		SRV385-724	
3	Log 3		SRV385-721	
4	Log 4		SRV385-723	
5	Log 5		SRV385-722	
6	Burner NG, LP		SRV2025-007A	
7	Grate Assembly	No longer available	SRV383-360A	
8	Glass Door Assembly		GLA-6TROC	Y
9	Surround	No longer available	385-130	
		No longer available	2026-108	
10	Hood		SRV60-143-BK	
11	Insulation Board	No longer available	385-401	
12	Junction Box	Pre 002324002	100-250A	Y
		Post 002324002	SRV4021-013	Y

#13 Valve Assembly



IMPORTANT: THIS IS DATED INFORMATION. Parts must be ordered from a dealer or distributor. **Hearth and Home Technologies does not sell directly to consumers.** Provide model number and serial number when requesting service parts from your dealer or distributor.



**Stocked
at Depot**

ITEM	DESCRIPTION	COMMENTS	PART NUMBER	
13.1	Pilot Bracket	No longer available	385-164	
13.2	Ground Strap	No longer available	2025-512	
13.3	Pilot Assembly NG	Pre 002324002	SRV4021-730	Y
		Post 002324002	4021-422	Y
	Pilot Assembly LP	Pre 002324002	SRV4021-731	Y
		Post 002324002	4021-423	Y
13.4	Shutter Assembly	Pre 002324002	319-316A	Y
		Post 002324002	2026-130	Y
13.5	Shutter Bracket Assembly	Pre 002324002	N/A	
		No longer available	2026-017	
13.6	Valve Bracket	No longer available	550-169	
		No longer available	2025-101	
13.7	Flex Ball Valve Assembly		SRV302-320	Y
13.8	Valve NG		750-500	Y
	Valve LP		750-501	Y
13.9	On/Off Rocker Switch		060-521A	Y
13.10	Module		SRV593-592	Y
13.11	Module Wire Assembly		SRV593-590	Y
13.12	Orifice NG (#37)		582-837	Y
	Orifice LP (#52)		SRV582-852	Y
13.13	Flexible Gas Connector	Pre 002324002	477-301A	Y
		Post 002324002	383-302A	Y

Additional service part numbers appear on following page.

