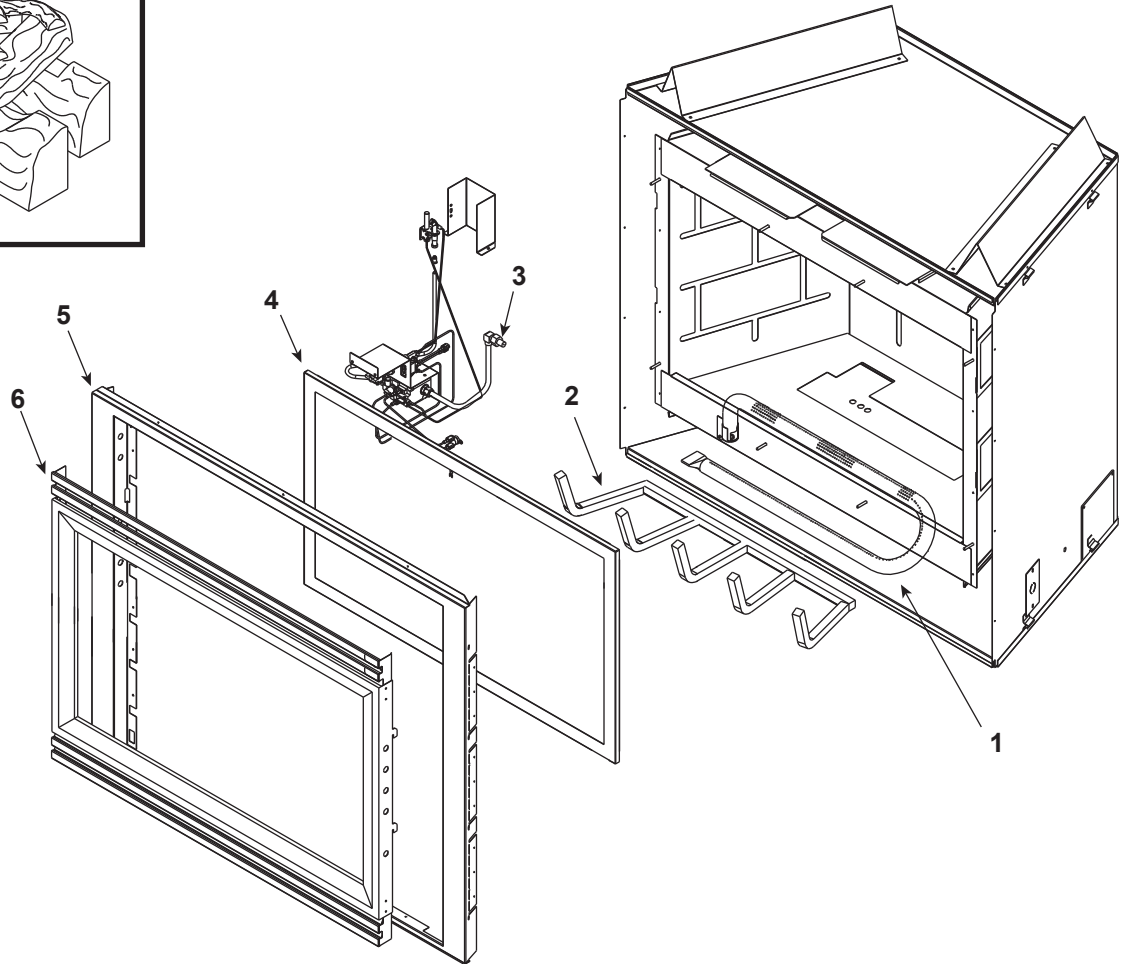
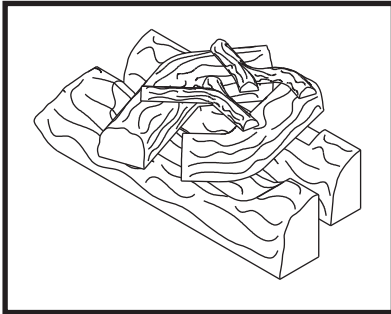


Log Set Assembly



IMPORTANT: THIS IS DATED INFORMATION. Parts must be ordered from a dealer or distributor. **Hearth and Home Technologies does not sell directly to consumers.** Provide model number and serial number when requesting service parts from your dealer or distributor.



Stocked at Depot

ITEM	DESCRIPTION	COMMENTS	PART NUMBER	
	Log Set Assembly	No longer Available	LOGS-24S	
1	Burner NG	No longer Available	073-326A	
	Burner LP	No longer Available	073-325A	
2	Grate Assembly	No longer Available	043-360A	
3	Burner Orifice NG (#38A)	No longer Available	057-800	
	Burner Orifice LP (#52A)	No longer Available	057-801	
4	Glass Door Assembly	No Gasket	No longer Available	GLA-6SDV
		With Gasket	No longer Available	GLA-6XL
5	Surround	No longer Available	414-130	
6	Decorative Front	No longer Available	DF-36H	



Service Parts

6000SGDV

No one builds a better fire

Beginning Manufacturing Date: Aug 1994
Ending Manufacturing Date: Sept 1996

IMPORTANT: THIS IS DATED INFORMATION. Parts must be ordered from a dealer or distributor.
Hearth and Home Technologies does not sell directly to consumers. Provide model number and serial number when requesting service parts from your dealer or distributor.



Stocked at Depot

Table with columns: ITEM, DESCRIPTION, COMMENTS, PART NUMBER, and Stocked at Depot. Rows include parts like Burner Tube, High Temp Limit Switch, Junction Box, Microswitch, Piezo Ignitor, Pilot Assembly NG, Pilot assembly LP, Thermopile, Pilot Tube, Refractory, Touch Up Paint, Valve NG, Valve LP, Conversion Kit NG, Conversion Kit LP, Pilot Orifice NG, Pilot Orifice LP, Regulator NG, and Regulator LP.