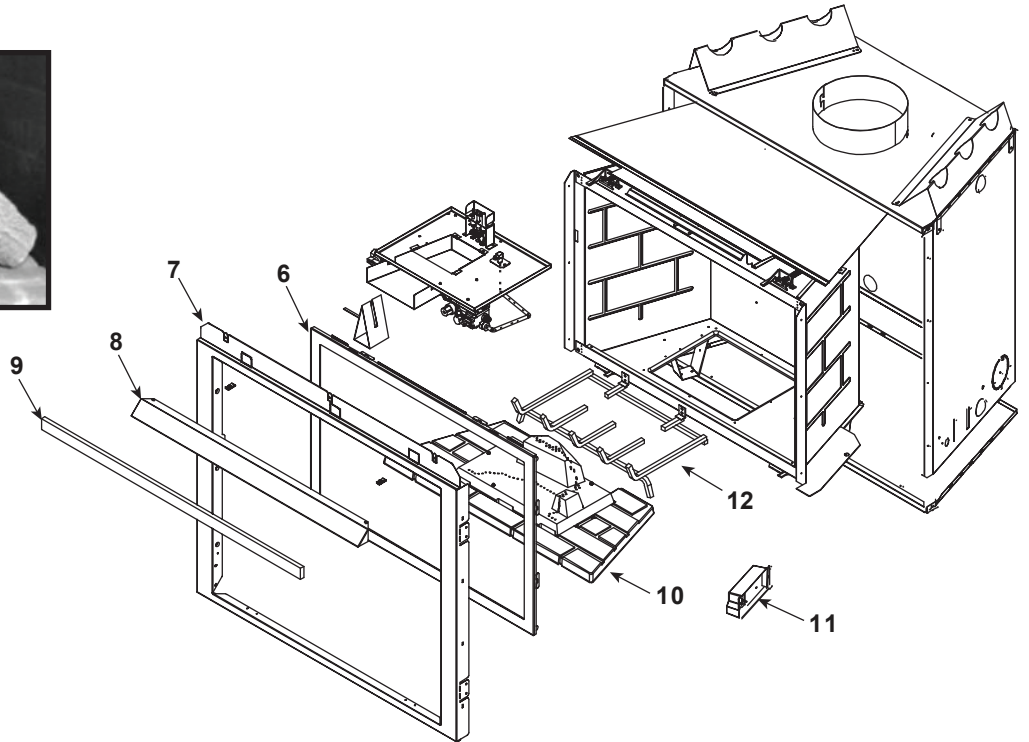
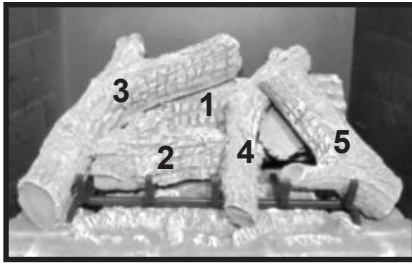


Log Set Assembly



IMPORTANT: THIS IS DATED INFORMATION. Parts must be ordered from a dealer or distributor. **Hearth and Home Technologies does not sell directly to consumers.** Provide model number and serial number when requesting service parts from your dealer or distributor.



Stocked at Depot

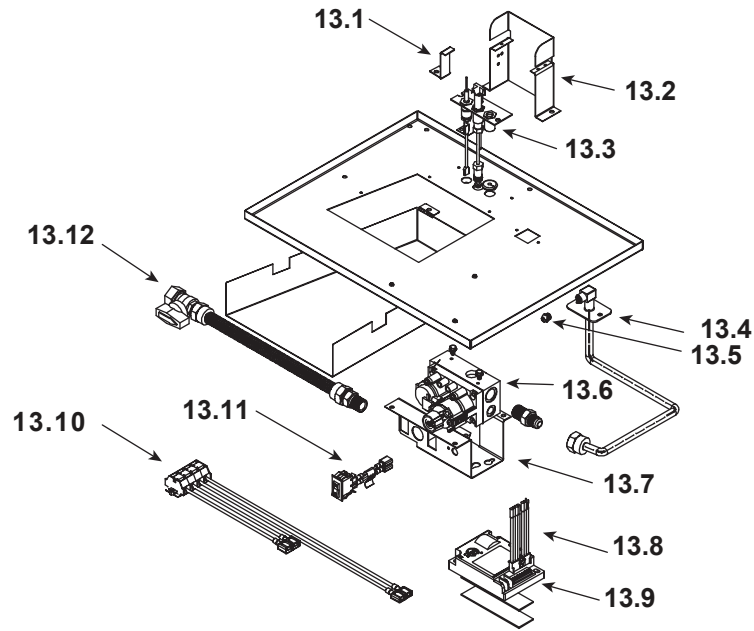
ITEM	DESCRIPTION	COMMENTS	PART NUMBER	
	Log Set Assembly		LOGS-6OAK	Y
1	Log 1	No longer available, Must order complete assembly	SRV385-720	
2	Log 2		SRV385-724	
3	Log 3		SRV385-721	
4	Log 4		SRV385-723	
5	Log 5		SRV385-722	
6	Glass Door Assembly		GLA-6TROC	Y
7	Surround	No longer available	2026-108	
8	Hood		SRV60-143-BK	
9	Non-Combustible board	No longer available	385-401	
10	Burner NG, LP		SRV2025-007A	
11	Junction Box		SRV4021-013	Y
12	Grate	No longer available	SRV383-360A	
	Mineral Wool		050-721	
	Glass Latch Assembly	Pkg of 2	386-122A/2	Y
	High Temp Limit Switch		SRV4021-383	Y
	Touch Up Paint		TUP-GBK-12	
	Vermiculite Embers		MYSTIC-EMBERS	
	Wire Assembly 72" & 80 "		522-504A	Y

No one builds a better fire

Beginning Manufacturing Date: Feb 2004

Ending Manufacturing Date: Jan 2006

#13 Valve Assembly

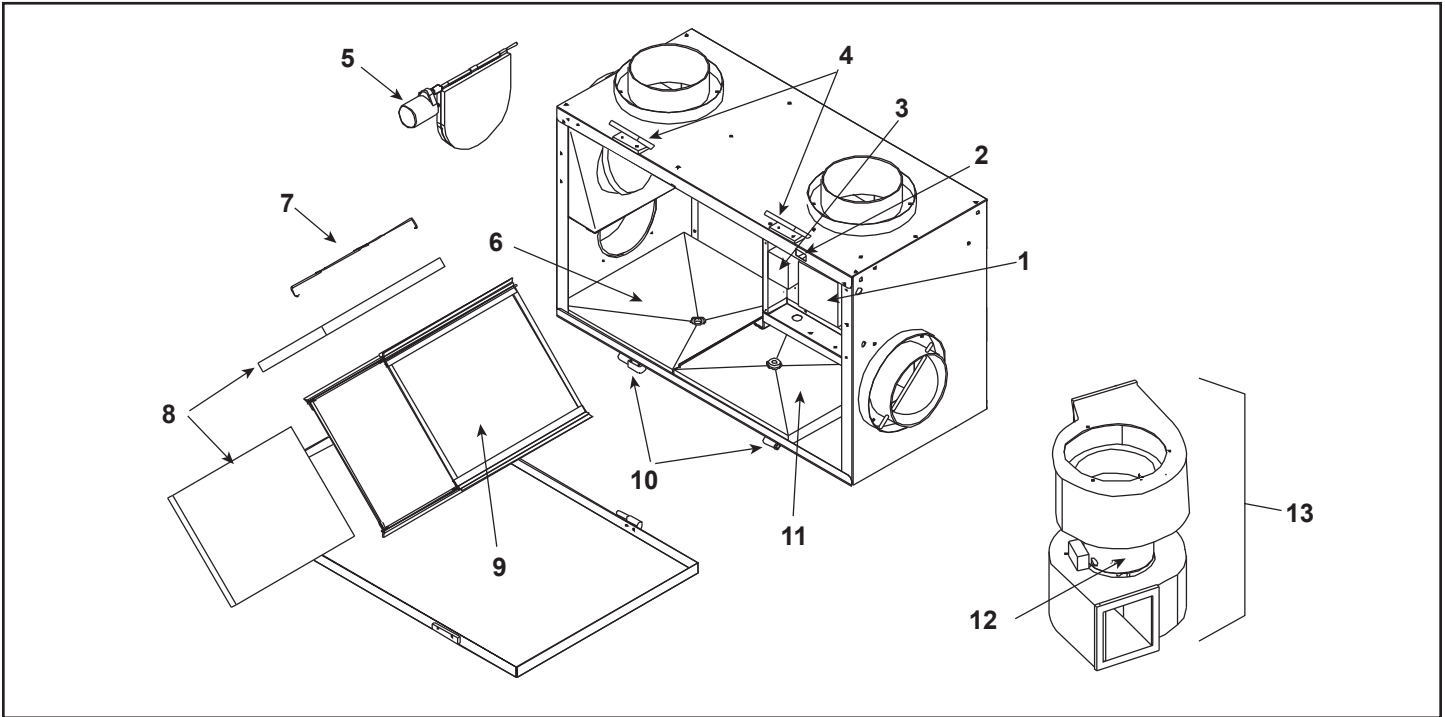


IMPORTANT: THIS IS DATED INFORMATION. Parts must be ordered from a dealer or distributor. **Hearth and Home Technologies does not sell directly to consumers.** Provide model number and serial number when requesting service parts from your dealer or distributor.



**Stocked
at Depot**

ITEM	DESCRIPTION	COMMENTS	PART NUMBER	
13.1	Ground Strap	No longer available	2025-512	
13.2	Pilot Bracket	No longer available	385-164	
13.3	Pilot Assembly NG		4021-422	Y
	Pilot Assembly LP		4021-423	Y
13.4	Flexible Gas Connector		383-302A	Y
13.5	Orifice NG (#40C)		582-840	Y
	Orifice LP (#53C)		582-853	Y
13.6	Valve NG		750-500	Y
	Valve LP		750-501	Y
13.7	Valve Bracket	No longer available	2025-101	
13.8	Module Wire Assembly		SRV593-590	Y
13.9	Module		SRV593-592	Y
13.10	Wire Block Assembly	No longer available	2063-010	
13.11	On/ Off Switch Assembly		060-521A	Y
13.12	Flex Ball Valve Assembly		SRV302-320	Y
	3 Volt Transformer		SRV593-593	Y
	Conversion Kit NG	No longer available	NGK-2063	
	Conversion Kit LP	No longer available	LPK-6TVOC-IPI	
	Pilot Orifice NG		SRV446-505	Y
	Pilot Orifice LP		SRV446-517	Y
	Regulator NG		SRVNGK-DXV	Y
	Regulator LP		SRVLPK-DXV	Y



IMPORTANT: THIS IS DATED INFORMATION. Parts must be ordered from a dealer or distributor. **Hearth and Home Technologies does not sell directly to consumers.** Provide model number and serial number when requesting service parts from your dealer or distributor.



Stocked at Depot

ITEM	DESCRIPTION	COMMENTS	PART NUMBER	
1	Circuit Board	No longer available	HRV26223	
2	Door Switch	No longer available	HRV14107R	
3	Auto Transformer	No longer available	HRV19137R	
4	Door Latch Set	No longer available	HRV93101	
5	Damper Motor	No longer available	HRV23007	
6	Left Drain Pan	No longer available	HRV35201	
7	Filter Clip	No longer available	HRV81007	
8	Aluminum Mesh Filter	No longer available	HRV65204	
9	Core Assembly - Aluminum HT	No longer available	HRV68200	
10	Door Hinge Set	No longer available	HRV91106B	
11	Right Drain Pan	No longer available	HRV35201	
12	Motor With Capacitor	No longer available	HRV23200R	
13	Blower Housing Set	No longer available	HRV99242	
13	Lower Blower Wheel (CW)	No longer available	HRV40211	
13	Upper Blower Wheel (CCW)	No longer available	HRV40121	
	Drain Adapter Kit	No longer available	HRV35404	
	Internal Dehumidistat	No longer available	HRV29101R	
	Dehumidistat Knob	No longer available	HRV28101	
	Over Temperature Switch	No longer available	HRV15205	
	Circuit Board - Defrost Kit	No longer available	HRV26223H	