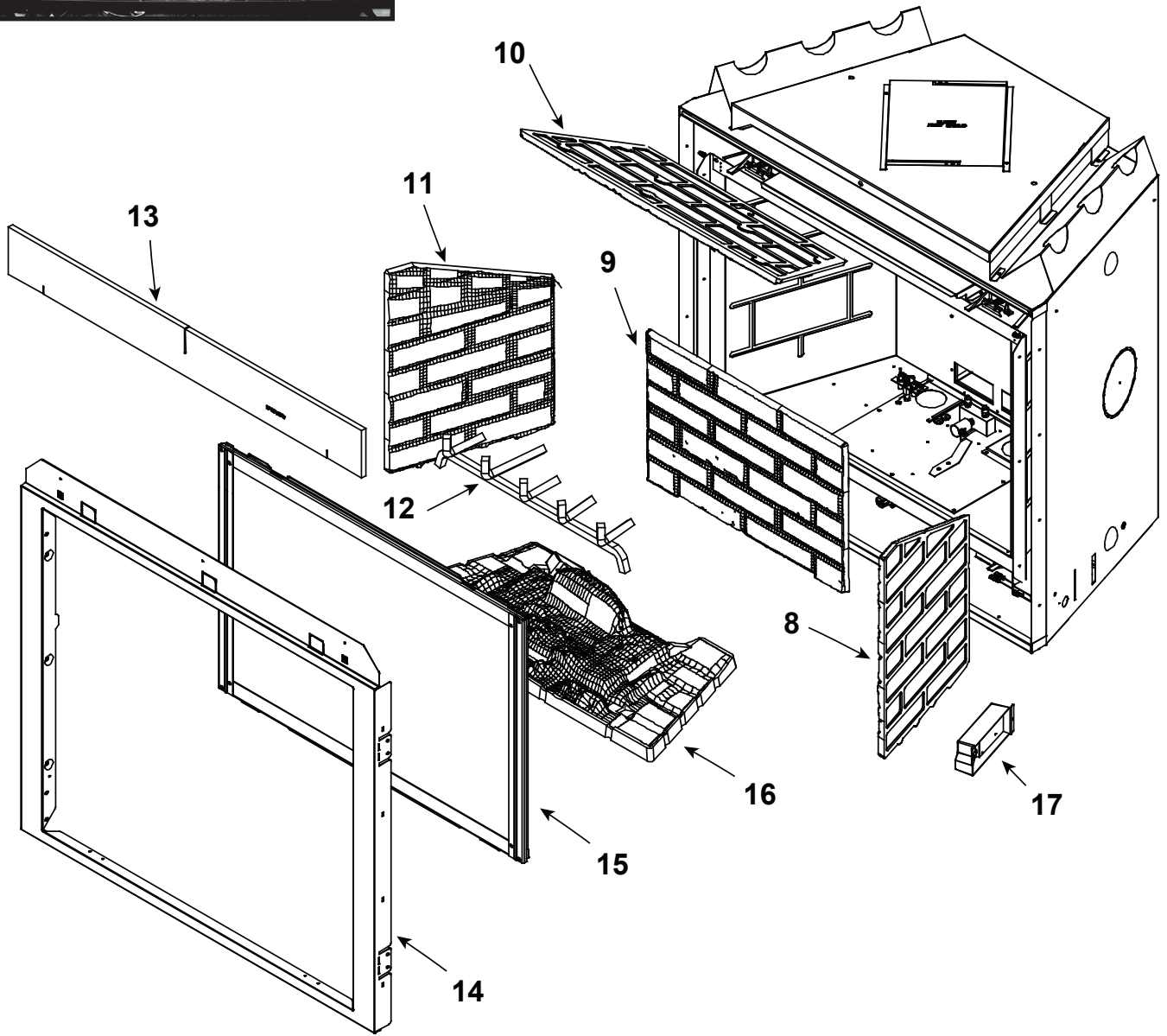
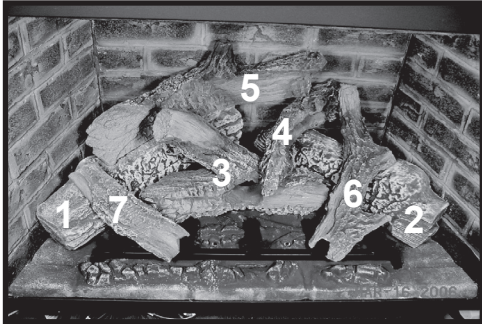


Log Assembly



Part number list on following page.

No one builds a better fire

IMPORTANT: THIS IS DATED INFORMATION. Parts must be ordered from a dealer or distributor. **Hearth and Home Technologies does not sell directly to consumers.** Provide model number and serial number when requesting service parts from your dealer or distributor.

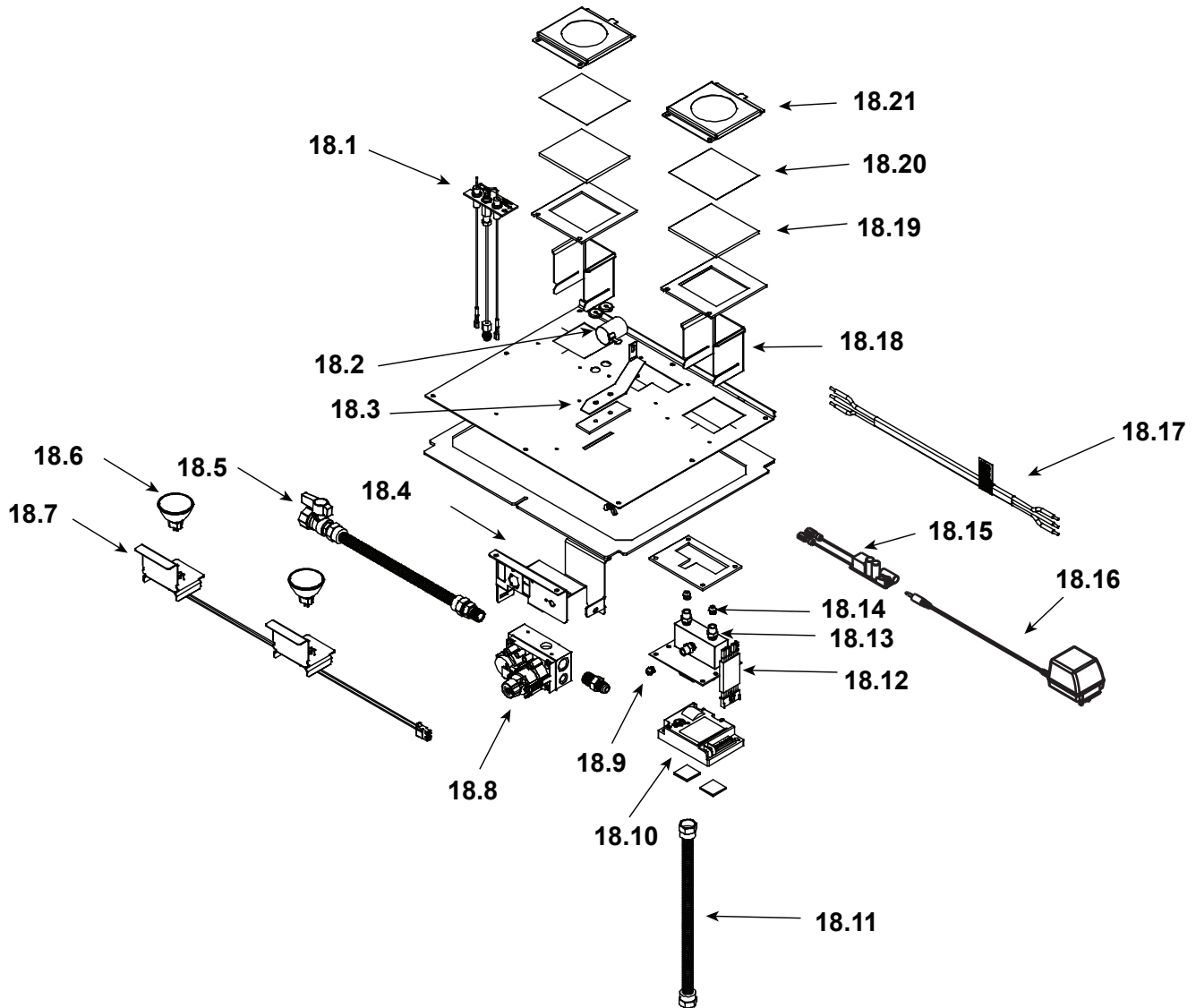


**Stocked
at Depot**

ITEM	DESCRIPTION	COMMENTS	PART NUMBER	
	Log Assembly, NG		LOGS-6000GLX	Y
	Log Assembly, LP		LOGS-6000GLXLP	Y
1	Log #1 Flame Out of Log Left, NG	No longer available, Must order complete assembly	SRV2101-085	
	Log #1 Flame Out of Log Left, LP		SRV2101-087	
2	Log #2 Flame Out of Log Right, NG		SRV2101-086	
	Log #2 Flame Out of Log Right, LP		SRV2101-088	
3	Log #3		SRV2101-197	
4	Log #4		SRV386-716	
5	Log #5		SRV2101-195	
6	Log #6		SRV2101-196	
7	Log #7		SRV530-703	
	Refractory Red (-R) 4 pieces		No longer available	BRICK-6GLX-R
	Refractory Stratford Tan (-S) 4 pieces	No longer available	BRICK-6GLX-S	
8	Right Refractory (-R)	No longer available	SRV2101-572	
	Right Refractory (-S)	No longer available	SRV2101-472	
9	Back Refractory (-R)	No longer available	SRV2101-570	
	Back Refractory (-S)	No longer available	SRV2101-470	
10	Top Refractory (-R)	No longer available	SRV2101-573	
	Top Refractory (-S)	No longer available	SRV2101-473	
11	Left Refractory (-R)	No longer available	SRV2101-571	
	Left Refractory (-S)	No longer available	SRV2101-471	
12	Grate Assembly	No longer available	2101-043	
13	Non-combustible board	No longer available	2101-312	
14	Surround	No longer available	SRV2101-260	
15	Glass Assembly		GLA-6GLX	Y
16	Burner Assembly Red (-R)		SRV2101-008	
	Burner Assembly Stratford Tan (-S)		SRV2101-007	
17	Junction box		SRV4021-013	Y
	Blower		GFK-160A	
	Door		FOL-36-BK	
	Flue Restrictor		385-128	
	Gasket Assembly Contains: Vent, Seal Cap, Burner Neck, Shutter Bracket, Manifold, and Valve Plate Gaskets	No longer available	2103-081	
	Glass Latch Assembly	Pkg of 2	386-122A/2	Y
	Mineral Wool		050-721	
	Remote		SMART-STAT-HHT	
	Touch Up Paint		TUP-GBK-12	
	Vermiculite Embers		MYSTIC-EMBERS	
	Wall Switch Kit		WSK-MLT-GLX	Y

Additional service part numbers on following page.

#18 Valve Assembly



Part number list on following page.

No one builds a better fire

Beginning Manufacturing Date: June 2006
Ending Manufacturing Date: Aug 2009

IMPORTANT: THIS IS DATED INFORMATION. Parts must be ordered from a dealer or distributor. **Hearth and Home Technologies does not sell directly to consumers.** Provide model number and serial number when requesting service parts from your dealer or distributor.



Stocked
at Depot

ITEM	DESCRIPTION	COMMENTS	PART NUMBER	Stocked at Depot
18.1	Pilot Assembly, NG		SRV2090-012	Y
	Pilot Assembly, LP		2090-013	Y
18.2	Shutter Sleeve		2026-130	Y
18.3	Shutter Bracket Assembly	No longer available	2026-017	
18.4	Valve Bracket		2118-104	
18.5	Flex Ball Valve Assembly		SRV302-320	Y
18.6	Ember Bulb 20W		2088-136	Y
18.7	Bulb/ Socket Assembly	No longer available	2101-041	
18.8	Valve, NG		750-500	Y
	Valve, LP		750-501	Y
18.9	Orifice, NG #39C		582-839	Y
	Orifice, LP #54C		SRV582-854	Y
18.10	Control Module		SRV593-592	Y
18.11	Flex 12	No longer available	2101-293	
18.12	Wire Assembly		SRV593-590	Y
18.13	Manifold Assembly, Solenoid	No longer available	SRV386-205	
18.14	Orifice, NG #53C	Qty 2 req	582-853	Y
	Orifice, LP #68C	No longer available	582-868	
18.15	Solenoid Capacitor Assembly	No longer available	2101-072	
18.16	12V Transformer	No longer available	2101-290	
18.17	Wall Switch Wire		SRV2095-550	Y
18.18	Bracket, Bulb box	No longer available	SRV2101-120-BK	
18.19	Bulb Bracket Glass	No longer available	2101-164	
18.20	Kapton Lens	No longer available	2101-252	
18.21	Glass Bracket	No longer available	2101-132	
	Battery Pack		SRV593-594	Y
	Cord Assembly	No longer available	2101-084	
	Conversion Kit NG	No longer available	NGK-6GLX-IPI	
	Conversion KIT LP	No longer available	LPK-6GLX-IPI	
	Pilot Orifice, NG		SRV593-528	Y
	Pilot Orifice, LP		SRV593-527	Y
	Regulator, NG		SRVNGK-DXV	Y
	Regulator, LP		SRVLPK-DXV	Y