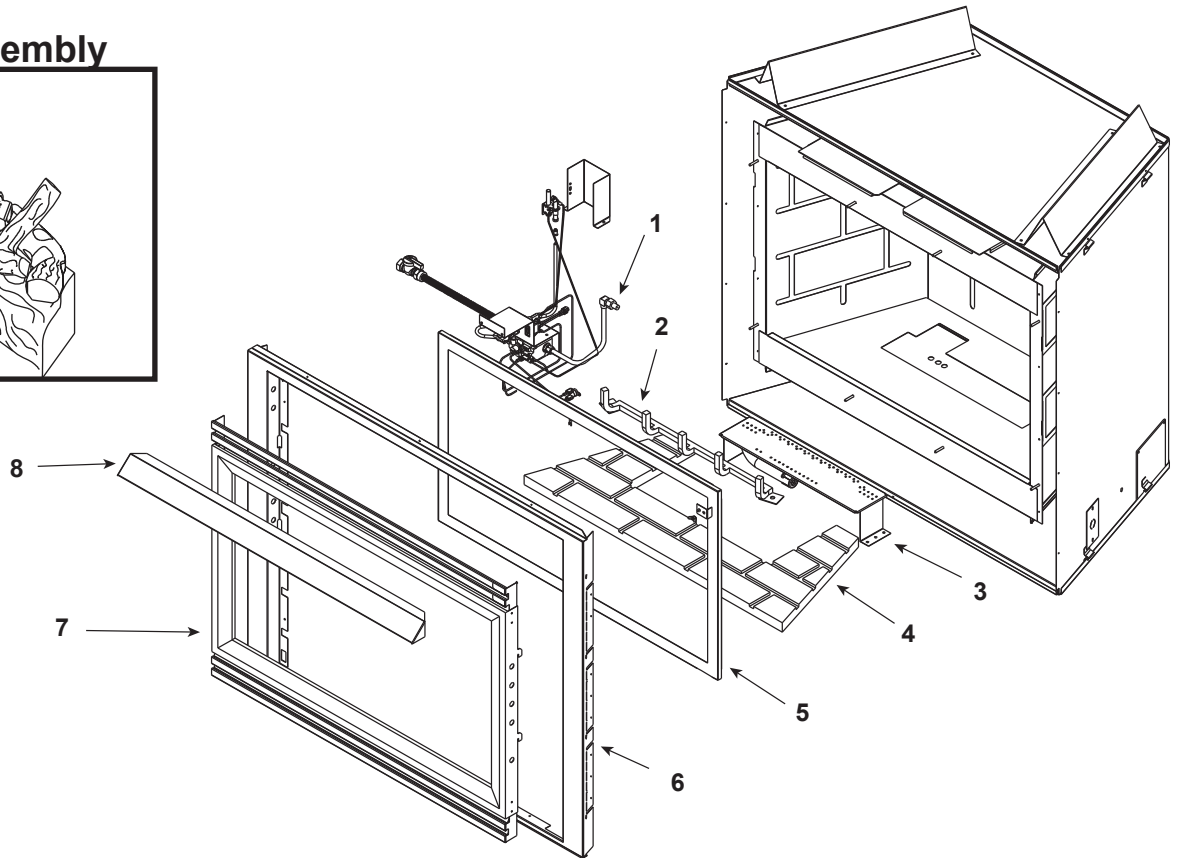
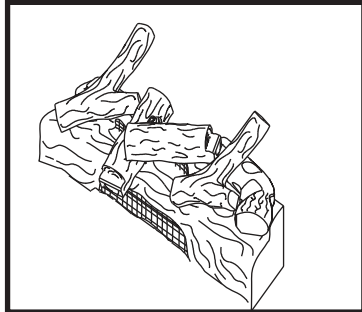


### Log Set Assembly



IMPORTANT: THIS IS DATED INFORMATION. Parts must be ordered from a dealer or distributor. **Hearth and Home Technologies does not sell directly to consumers.** Provide model number and serial number when requesting service parts from your dealer or distributor.



**Stocked at Depot**

ITEM	DESCRIPTION	COMMENTS	PART NUMBER		
	Log Set Assembly		LOGS-6FL-4	Y	
1	Burner Orifice NG (#38A)	No longer available	057-800		
	Burner Orifice LP (#52A)	No longer available	057-801		
2	Grate Assembly	No longer available	SRV414-360		
3	Burner NG	No longer available	060-276A		
		Post 30024	446-176A	Y	
3	Burner LP	Pre 6581	422-175A	Y	
		Post 6581	446-175A	Y	
4	Refractory		SRV446-338		
5	Glass Door Assembly	(Wing Nut)	Pre Date Code 396	GLA-DV36	Y
		(Tab)	Post Date Code 396	GLA-6FL	Y
6	Surround	No longer available	SRV414-130		
7	Decorative Front	No longer available	DF-36H		
	Mesh Assembly	No longer available	MESH-36B	Y	
8	Hood		SRV60-143-BK		



Service Parts

**6000GDVFL & 6000GDVFL-NF**

No one builds a better fire

Beginning Manufacturing Date: Jan 1995  
Ending Manufacturing Date: Feb 1998

IMPORTANT: THIS IS DATED INFORMATION. Parts must be ordered from a dealer or distributor. **Hearth and Home Technologies does not sell directly to consumers.** Provide model number and serial number when requesting service parts from your dealer or distributor.



**Stocked  
at Depot**

ITEM	DESCRIPTION		COMMENTS	PART NUMBER	
	Burner Tube			477-301A	Y
	Fan			GFK-160A	
	High Temp Limit Switch			092-531	Y
	Junction Box			100-250A	Y
	ON/OFF, Switch			SRV32D0232	Y
	Piezo Ignitor			291-513	Y
	Pilot Assembly NG	Non 30 sec valve	Pre Date Code 296	446-512A	Y
		30 sec valve	Post Date Code 296	446-510A	Y
	Pilot Assembly LP	Non 30 sec valve	Pre Date Code 296	446-513A	Y
		30 sec valve	Post Date Code 296	446-511A	Y
	Thermocouple (Only for 30 sec pilot assembly)		Post Date Code 296	446-511	Y
	Thermopile			2103-512	Y
	Pilot Tube			SRV446-301	Y
	Remote			SMART-STAT	
	Touch Up Paint			TUPB-12	
	Valve NG	Non 30 sec valve	Pre Date Code 296	040-500	Y
		30 sec valve	Post Date Code 296	060-522	Y
	Valve LP	Non 30 sec valve	Pre Date Code 296	040-501	Y
		30 sec valve /Adjustable	Post Date Code 296	060-523	Y
		Non-adjustable		060-521	Y
<b>STANDING PILOT</b>					
	Conversion Kit NG	<b>No longer available</b>	Pre 30024	NGK-6FL	
			Post 30023	NGK-6FL-4	
	Conversion Kit LP	<b>No longer available</b>	Pre 6581	LPK-6FL	
			Post 6580	LPK-6FL-4	
	Pilot Orifice NG			SRV446-505	Y
	Pilot Orifice LP			SRV446-517	Y
	Regulator NG			SRV060-518	Y
	Regulator LP			060-519	Y
<b>DSI IGNITION ONLY</b>					
	Junction Box		<b>No longer available</b>	100-254A	
	Transformer (24V)		<b>No longer available</b>	060-599	
	Module		<b>No longer available</b>	398-592	
	Electrode		<b>No longer available</b>	416-591	
	Valve NG		<b>No longer available</b>	SRV462-500	
	Valve LP		<b>No longer available</b>	SRV462-501	