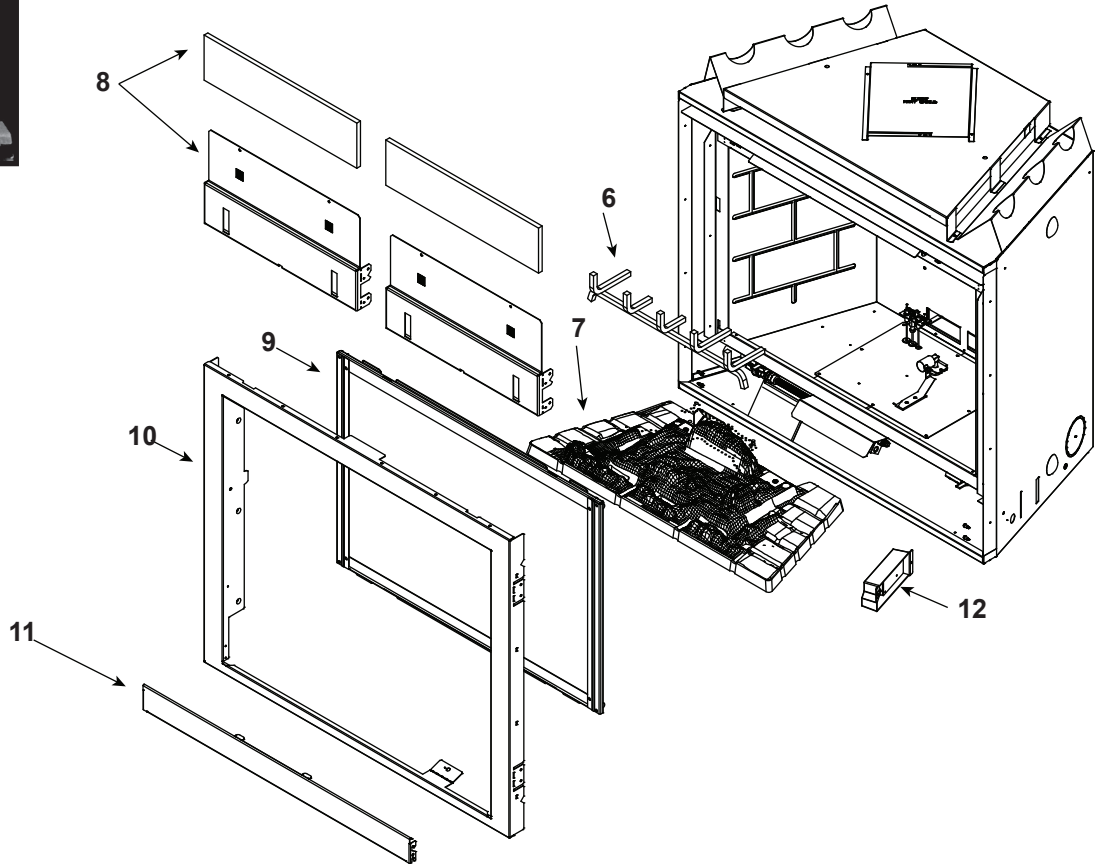
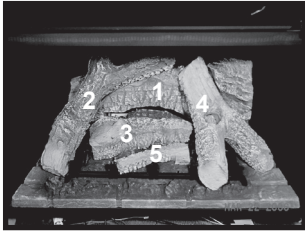


Log Assembly



IMPORTANT: THIS IS DATED INFORMATION. Parts must be ordered from a dealer or distributor. **Hearth and Home Technologies does not sell directly to consumers.** Provide model number and serial number when requesting service parts from your dealer or distributor.



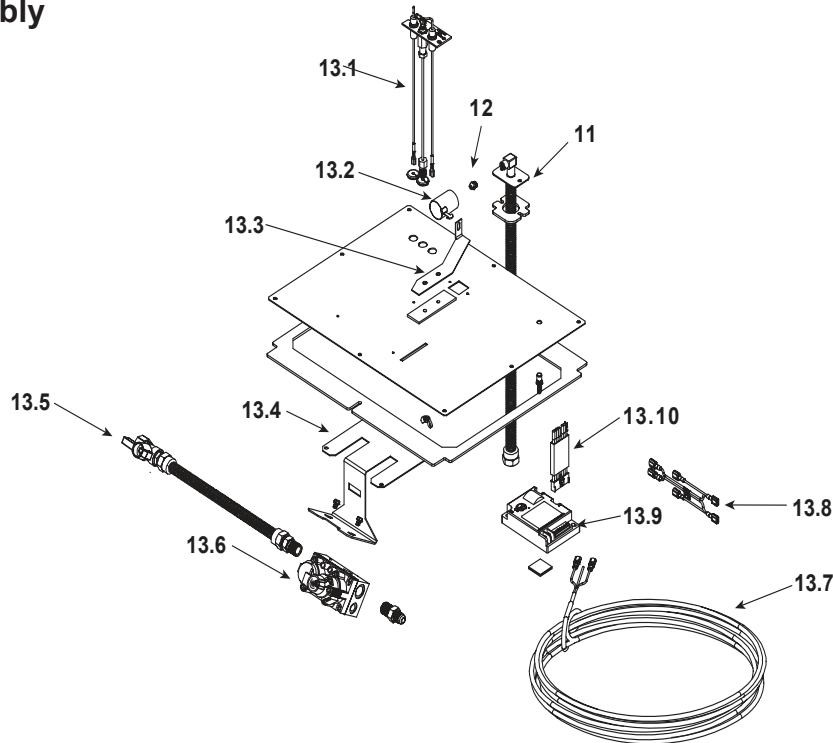
Stocked at Depot

ITEM	COMMON PARTS	COMMENTS	PART NUMBER	
	Log Set Assembly		LOGS-6000G	Y
1	Log 1	No longer available, Must order complete assembly	SRV2103-107	
2	Log 2		SRV2103-108	
3	Log 3		SRV2103-110	
4	Log 4		SRV2103-109	
5	Log 5		SRV2103-111	
6	Grate	No longer available	2103-005	
7	Burner NG, LP		SRV2103-007	
8	Non-combustible Board	No longer available	2092-107A	
9	Glass Door Assembly		GLA-6000G	Y
10	Surround	No longer available	2092-103	
11	Surround cover	No longer available	2092-108	
12	Junction Box		SRV4021-013	Y

No one builds a better fire

Beginning Manufacturing Date: June 2006
Ending Manufacturing Date: Aug 2009

#13 Valve Assembly



IMPORTANT: THIS IS DATED INFORMATION. Parts must be ordered from a dealer or distributor. **Hearth and Home Technologies does not sell directly to consumers.** Provide model number and serial number when requesting service parts from your dealer or distributor.



Stocked at Depot

ITEM	COMMON PARTS	COMMENTS	PART NUMBER	
13.1	Pilot Assembly NG		SRV2090-012	Y
	Pilot Assembly LP		2090-013	Y
13.2	Shutter Assembly		2026-130	Y
13.3	Shutter Bracket Assembly	No longer available	2026-017	
13.4	Valve Bracket	No longer available	2110-102	
13.5	Flex Ball Valve Assembly		SRV302-320	Y
13.6	Valve NG		750-500	Y
	Valve LP		750-501	Y
13.7	Wire Assembly		2045-024	Y
13.8	Remote Wire Assembly		2103-013	Y
13.9	Module		SRV593-592	Y
13.10	Wire Assembly		SRV593-590	Y
13.11	18" Flexible Gas Connector		530-302A	Y
13.12	Burner Orifice NG (#37C)		582-837	Y
	Burner Orifice LP (#52C)		SRV582-852	Y
	Battery Pack		SRV593-594	Y
	3 Volt Transformer		SRV593-593	Y

Additional service part numbers appear on following page.



No one builds a better fire

IMPORTANT: THIS IS DATED INFORMATION. Parts must be ordered from a dealer or distributor.
Hearth and Home Technologies does not sell directly to consumers. Provide model number and serial number when requesting service parts from your dealer or distributor.



**Stocked
at Depot**

ITEM	COMMON PARTS	COMMENTS	PART NUMBER	
	Decorative Front	No longer available	DF-6-CFFS-BK	
	Fan Kit		GFK-160A	
	Flue Restrictor		385-128	
	Gasket Assembly Includes: Vent, Seal Cap, Burner Neck, Manifold, Burner Neck and Valve Plate Gaskets	No longer available	2103-081	
	Glass Latch Assembly	Pkg of 2	386-122A/2	Y
	Refractory Stratford Tan	No longer available	BRICK-6-S	
	Right Refractory	No longer available	SRV2101-472	
	Left Refractory	No longer available	SRV2101-471	
	Back Refractory	No longer available	SRV2101-470	
	Mineral Wool		050-721	
	Remote		SMART-STAT-HHT	
	Touch Up Paint		TUP-GBK-12	
	Vermiculite Embers		MYSTIC-EMBERS	
	Conversion Kit NG		NGK-6G-IPI	Y
	Conversion Kit LP	No longer available	LPK-6G-IPI	
	Pilot Orifice NG		SRV593-528	Y
	Pilot Orifice LP		SRV593-527	Y
	Regulator NG		SRVNGK-DXV	Y
	Regulator LP		SRVLPK-DXV	Y