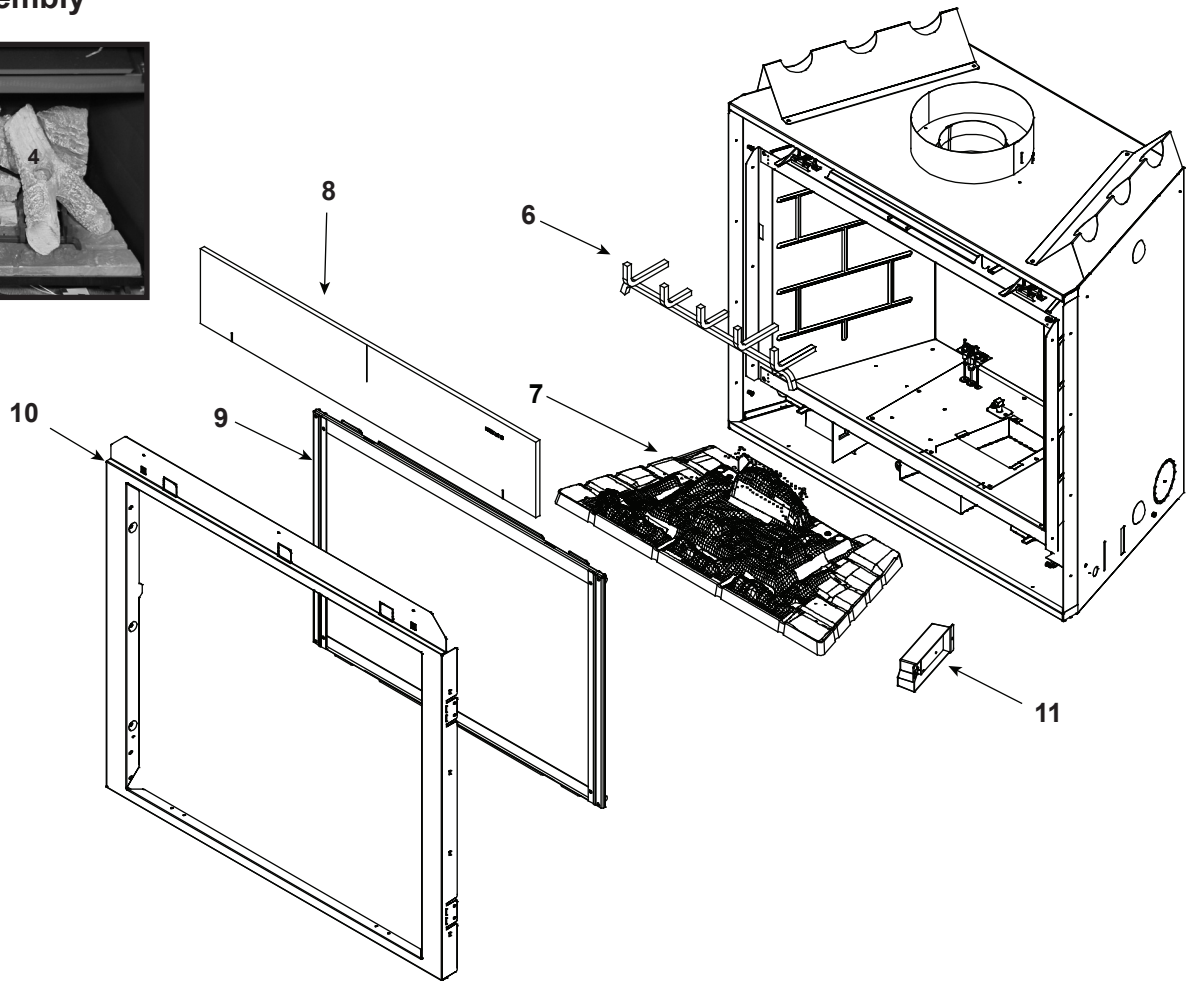


Log Set Assembly



IMPORTANT: THIS IS DATED INFORMATION. Parts must be ordered from a dealer or distributor. **Hearth and Home Technologies does not sell directly to consumers.** Provide model number and serial number when requesting service parts from your dealer or distributor.



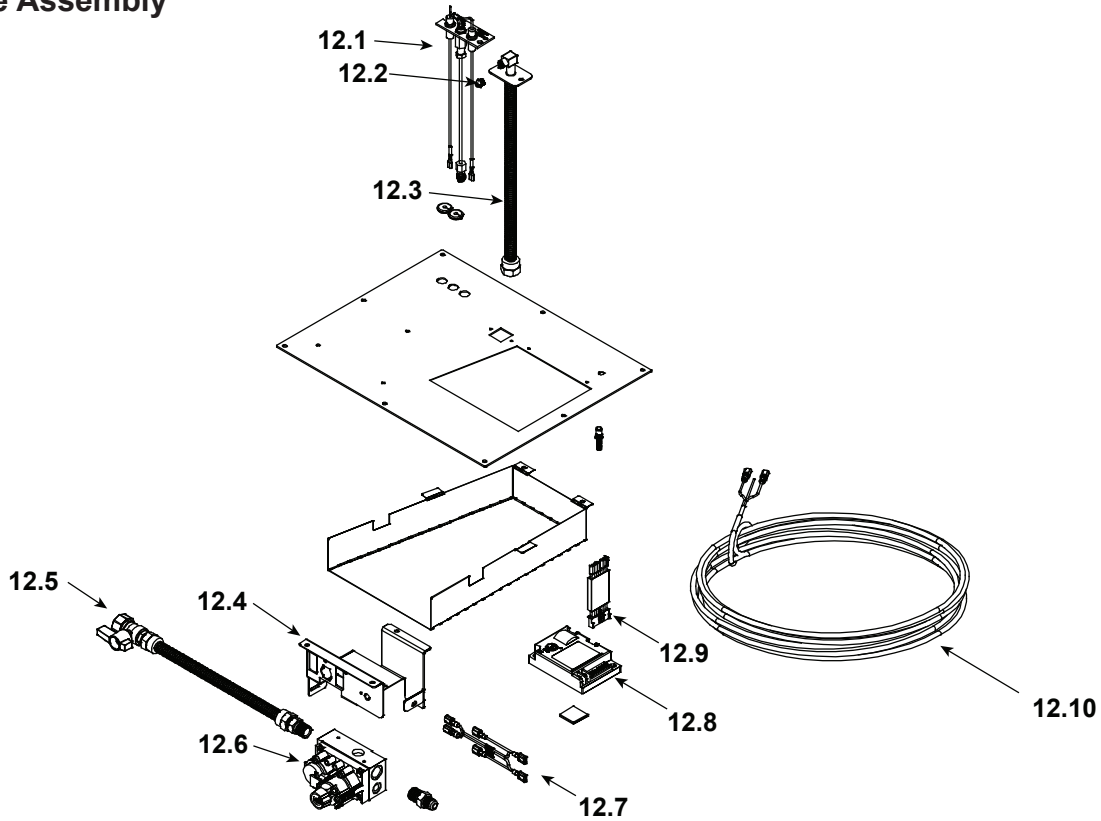
Stocked at Depot

ITEM	DESCRIPTION	COMMENTS	PART NUMBER	
	Log Assembly		LOGS-6000G	Y
1	Log #1	No longer available, Must order complete assembly	SRV2103-107	
2	Log #2		SRV2103-108	
3	Log #3		SRV2103-110	
4	Log #4		SRV2103-109	
5	Log #5		SRV2103-111	
6	Grate Assembly	No longer available	2103-005	
7	Burner Assembly		SRV2104-007	
8	Non-Combustible Board	No longer available	2101-312	
9	Glass Assembly		GLA-6000G	Y
10	Surround	No longer available	SRV2101-260	
11	Junction box		SRV4021-013	Y

No one builds a better fire

Beginning Manufacturing Date: June 2006
Ending Manufacturing Date: Aug 2009

#12 Valve Assembly



IMPORTANT: THIS IS DATED INFORMATION. Parts must be ordered from a dealer or distributor. **Hearth and Home Technologies does not sell directly to consumers.** Provide model number and serial number when requesting service parts from your dealer or distributor.



**Stocked
at Depot**

ITEM	DESCRIPTION	COMMENTS	PART NUMBER	Stocked at Depot
12.1	Pilot Assembly, NG		SRV2090-012	Y
	Pilot Assembly, LP		2090-013	Y
12.2	Orifice, NG (#40C)		582-840	Y
	Orifice, LP(#53C)		582-853	Y
12.3	Flex Tube Assembly		383-302A	Y
12.4	Valve Bracket		2118-104	
12.5	Flex Ball Valve Assembly		SRV302-320	Y
12.6	Valve, NG		750-500	Y
	Valve, LP		750-501	Y
12.7	Remote Wire Assembly		2103-013	Y
12.8	Control Module		SRV593-592	Y
12.9	Wire Assembly		SRV593-590	Y
12.10	Wire Assembly		2045-024	Y
	80 in. & 72 in. Wire Assembly		522-504A	Y
	3V Transformer		SRV593-593	Y
	Battery Pack		SRV593-594	Y

Additional service part numbers appear on following page.

