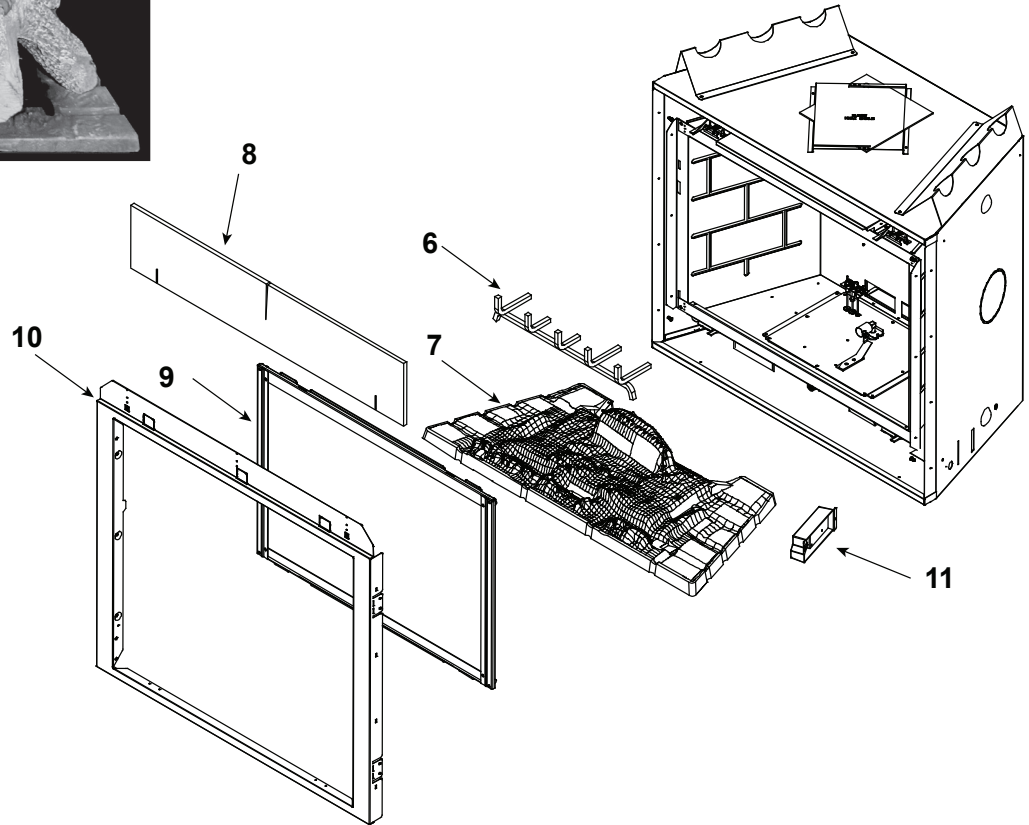


## Log Set Assembly



IMPORTANT: THIS IS DATED INFORMATION. Parts must be ordered from a dealer or distributor. **Hearth and Home Technologies does not sell directly to consumers.** Provide model number and serial number when requesting service parts from your dealer or distributor.



**Stocked  
at Depot**

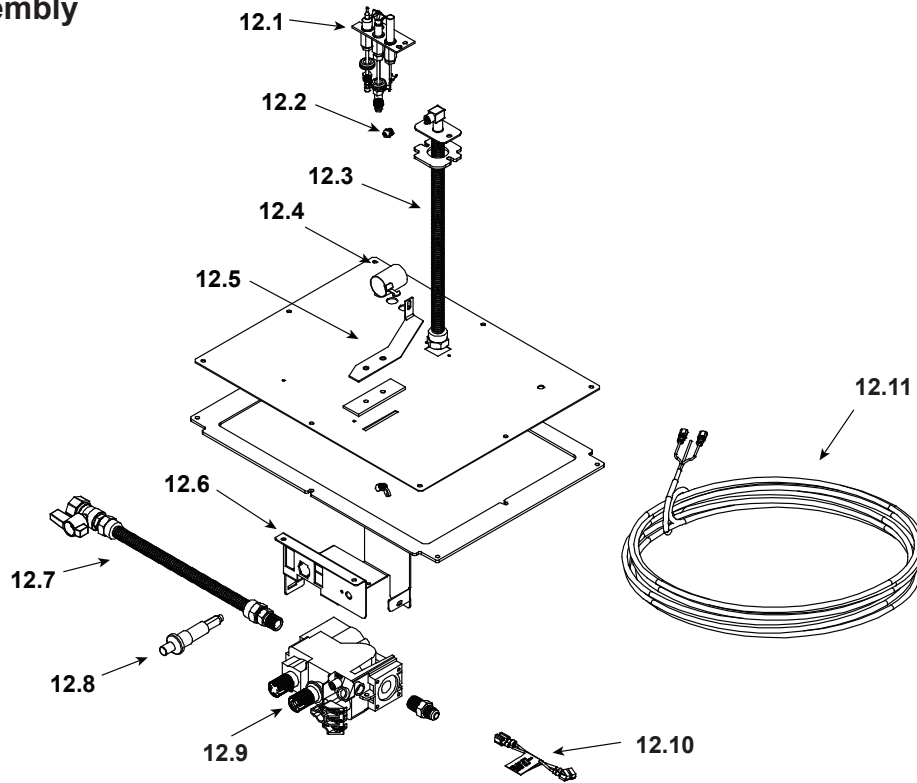
ITEM	DESCRIPTION	COMMENTS	PART NUMBER	
	Log Assembly		LOGS-6000G	Y
1	Log #1	<b>No longer available, Must order complete assembly</b>	SRV2103-107	
2	Log #2		SRV2103-108	
3	Log #3		SRV2103-110	
4	Log #4		SRV2103-109	
5	Log #5		SRV2103-111	
6	Grate Assembly	<b>No longer available</b>	2103-005	
7	Burner Assembly		SRV2103-007	
8	Non-Combustible Board	<b>No longer available</b>	2101-312	
9	Glass Assembly		GLA-6000G	Y
10	Surround	<b>No longer available</b>	SRV2101-260	
11	Junction box		SRV4021-013	Y

Additional service part numbers appear on following page.

No one builds a better fire

Beginning Manufacturing Date: May 2006  
Ending Manufacturing Date: Aug 2009

### #12 Valve Assembly



IMPORTANT: THIS IS DATED INFORMATION. Parts must be ordered from a dealer or distributor. **Hearth and Home Technologies does not sell directly to consumers.** Provide model number and serial number when requesting service parts from your dealer or distributor.



**Stocked  
at Depot**

ITEM	DESCRIPTION	COMMENTS	PART NUMBER	
12.1	Pilot Assembly, NG		2103-010	Y
	Pilot Assembly, LP		2103-011	Y
	Pilot Tube		SRV485-301	Y
	Thermocouple		2103-511	Y
	Thermopile		2103-512	Y
12.2	Orifice NG (#37C)		582-837	Y
	Orifice LP (#52C)		SRV582-852	Y
12.3	Flex Tube Assembly		383-302A	Y
12.4	Shutter Sleeve		2026-130	Y
12.5	Shutter Bracket Assembly	No longer available	2026-017	
12.6	Valve Bracket		2118-104	
12.7	Flex Ball Valve Assembly		SRV302-320	Y
12.8	Piezo Ignitor		SRV14D0503	Y
12.9	Valve, NG		SRV230-0710	Y
	Valve, LP		SRV230-0720	Y
12.10	Remote Pigtail Wire	No longer available	040-557A	
12.11	Wire Assembly		2045-024	Y

Additional service part numbers appear on following page.

