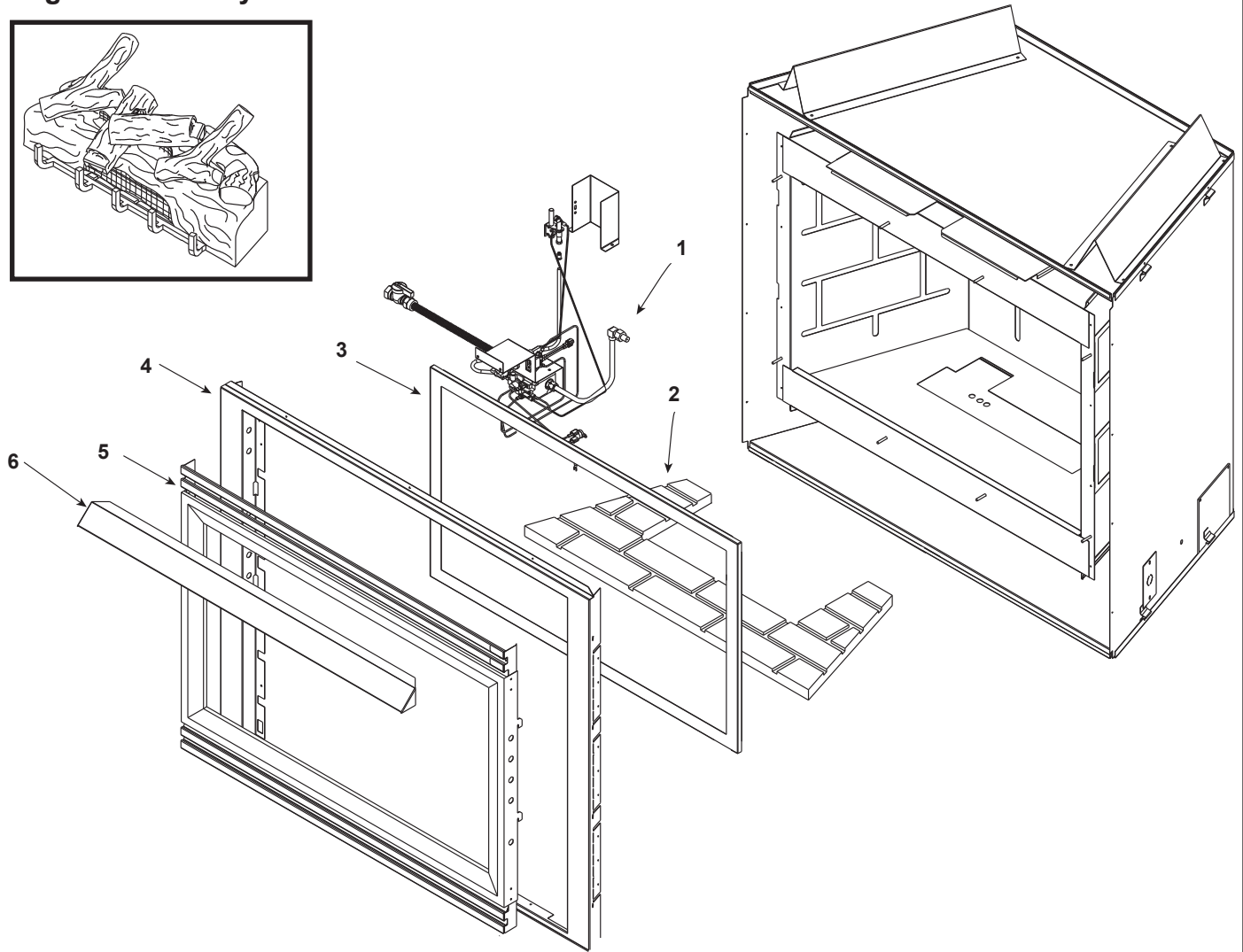
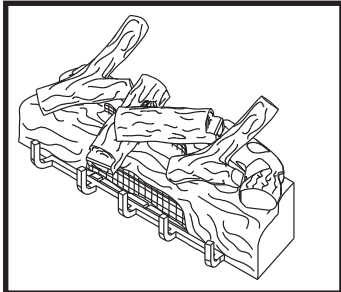


Log Set Assembly



IMPORTANT: THIS IS DATED INFORMATION. Parts must be ordered from a dealer or distributor. **Hearth and Home Technologies does not sell directly to consumers.** Provide model number and serial number when requesting service parts from your dealer or distributor.



Stocked at Depot

ITEM	DESCRIPTION	COMMENTS	PART NUMBER	
	Log Set Assembly (Grate Sold Separately)		LOGS-6FL-4	Y
1	Burner Orifice NG (#38A)	No longer available	057-800	
	Burner Orifice LP (#52A)	No longer available	057-801	
2	Refractory		SRV446-338	
3	Glass Door Assembly	No longer available	GLA-6XL	
4	Surround	No longer available	SRV414-130	
5	Decorative Front	No longer available	DF-36H	
6	Hood		SRV60-143-BK	



Service Parts

6000FLS

No one builds a better fire

Beginning Manufacturing Date: March 1995
Ending Manufacturing Date: May 1996

IMPORTANT: THIS IS DATED INFORMATION. Parts must be ordered from a dealer or distributor.
Hearth and Home Technologies does not sell directly to consumers. Provide model number and serial number when requesting service parts from your dealer or distributor.



Stocked at Depot

Table with 5 columns: ITEM, DESCRIPTION, COMMENTS, PART NUMBER, Stocked at Depot. Rows include Burner NG, Gas Tube, Pilot Assembly NG, etc.