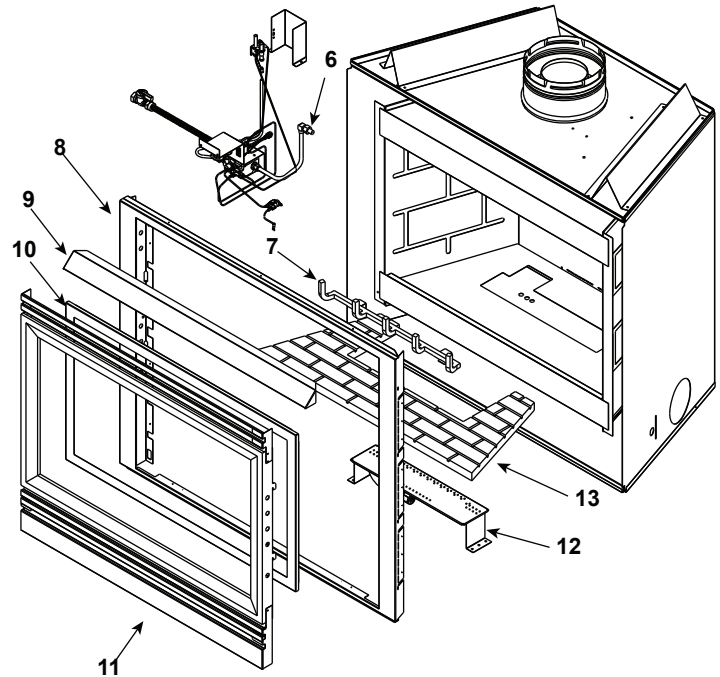
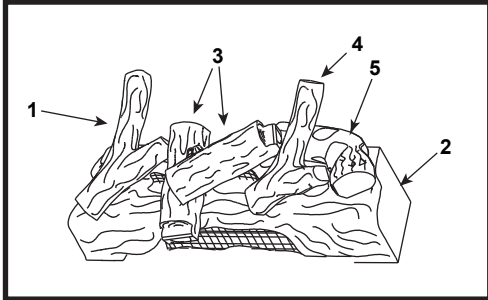


### Log Set Assembly



IMPORTANT: THIS IS DATED INFORMATION. Parts must be ordered from a dealer or distributor. **Hearth and Home Technologies does not sell directly to consumers.** Provide model number and serial number when requesting service parts from your dealer or distributor.



**Stocked at Depot**

ITEM	DESCRIPTION	COMMENTS		PART NUMBER	
	Log Set Assembly			LOGS-6FL-4	Y
1	Log 1	No longer available		SRV94-726	
2	Log 2	No longer available		SRV530-720	
3	Log 3	No longer available		SRV98-724	
4	Log 4	No longer available		SRV94-725	
5	Log 5	No longer available		SRV94-724	
6	Burner Orifice NG (#36)	No longer available		079-831	
	Burner Orifice LP (#51A)	No longer available		079-803	
7	Grate Assembly	No longer available		SRV414-360	
8	Surround, Front	No longer available		SRV414-130	
9	Hood			SRV60-143-BK	
10	Glass Door Assembly	Wing Nut		GLA-DV36	Y
		Tab		GLA-6FL	Y
11	Door	No longer available		DF-36H	
12	Burner (NG)	3 inch	Pre 16098	422-176A	Y
		4 inch	Post 16098	446-176A	Y
	Burner (LP)	3 inch	Pre 3399	422-175A	Y
		4 inch	Post 3399	446-175A	Y
13	Refractory			SRV446-338	



No one builds a better fire

Beginning Manufacturing Date: April 1995  
Ending Manufacturing Date: Feb 1998

IMPORTANT: THIS IS DATED INFORMATION. Parts must be ordered from a dealer or distributor. **Hearth and Home Technologies does not sell directly to consumers.** Provide model number and serial number when requesting service parts from your dealer or distributor.



**Stocked  
at Depot**

ITEM	DESCRIPTION	COMMENTS	PART NUMBER	
	Fan Kit		GFK-160A	
	High Temp Limit Switch		092-531	Y
	Junction Box		100-250A	Y
	Mesh Assembly	No longer available	MESH-36B	
	ON/OFF, Switch		SRV32D0232	Y
	Piezo Ignitor		291-513	Y
	Pilot Assembly NG	Pre 12614	446-512A	Y
		Post 12614	446-510A	Y
	Thermocouple	Post 12614	446-511	Y
	Pilot Assembly LP	Pre 2909	446-513A	Y
		Post 2909	446-511A	Y
	Thermocouple	Post 2909	446-511	Y
	Thermopile		2103-512	Y
	Pilot Tube		SRV446-301	Y
	Remote		SMART-STAT-HHT	
	Rocker Switch		060-521A	Y
	Touch Up Paint		TUPB-12	
	Tube Assembly		477-301A	Y
	Valve NG	Pre 12614	040-500	Y
		Post 12614	060-522	Y
	Valve LP	Pre 2909	040-501	Y
		Post 2909	060-523	Y
	Conversion Kit NG (No Longer Available)	Pre 16098	NGK-6DFL	
		Post 16098	NGK-6DFL-4	
	Conversion Kit LP (No Longer Available)	Pre 3399	LPK-6DFL	
		Post 3399	LPK-6DFL-4	
	Pilot Orifice NG		SRV446-505	Y
	Pilot Orifice LP		SRV446-517	Y
	Regulator NG		SRV060-518	Y
	Regulator LP		060-519	Y