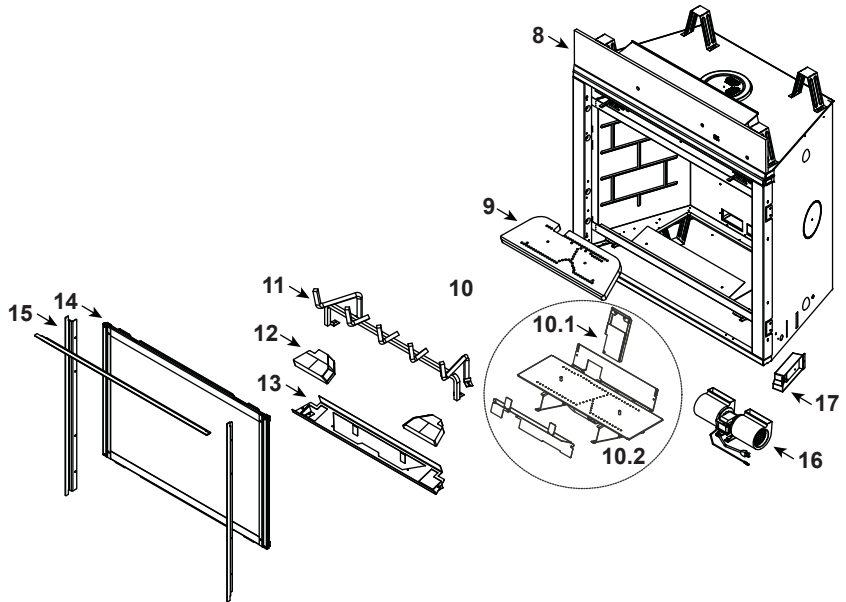
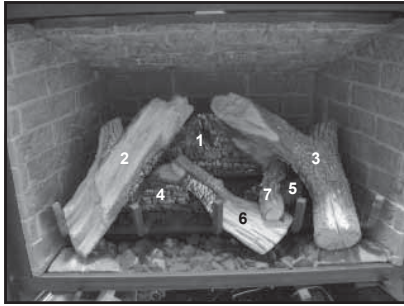


Log Set Assembly



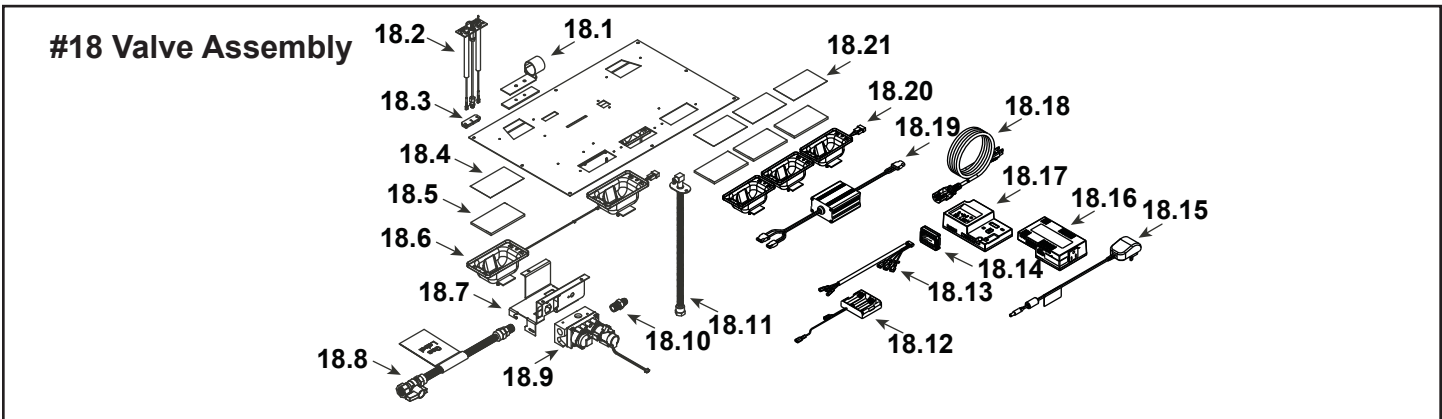
IMPORTANT: THIS IS DATED INFORMATION. Parts must be ordered from a dealer or distributor. **Hearth and Home Technologies does not sell directly to consumers.** Provide model number and serial number when requesting service parts from your dealer or distributor.



Stocked at Depot

ITEM	DESCRIPTION	COMMENTS	PART NUMBER	
	Log Assembly		LOGS-6000CLX	Y
1	Log #1		SRV2166-721	
2	Log #2		SRV2166-722	
3	Log #3		SRV2166-723	
4	Log #4		SRV2166-724	
5	Log #5		SRV2166-725	
6	Log #6		SRV2166-726	
7	Log #7		SRV2166-727	
8	Non-combustible board		2166-136	
9	Burner Top		SRV2166-100	Y
10	Burner Assembly NG		2166-007	Y
	Burner Assembly Propane		2165-008	Y
10.1	Air Scoop		2170-188	
10.2	Pilot Cover		2170-181	
11	Grate Assembly		2166-104	
12	Refractory Base	Black	SRV6CLXBASE-BK	
		Stratford	SRV6CLXBAS-STRT	
13	Base Refractory Basket		2166-108	
14	Glass Assembly		GLA2506-018	Y
15	Finishing Strips	Sold as set only	SRVFS-6	
16	Blower		GFK-160A	
17	Junction box		SRV4021-013	Y
	Ember Mesh		2166-113	
	Surround		2166-019	

No one builds a better fire



IMPORTANT: THIS IS DATED INFORMATION. Parts must be ordered from a dealer or distributor. **Hearth and Home Technologies does not sell directly to consumers.** Provide model number and serial number when requesting service parts from your dealer or distributor.



Stocked at Depot

ITEM	DESCRIPTION	COMMENTS	PART NUMBER	Stocked at Depot
18.1	Shutter Bracket Assembly		2166-157	Y
18.2	Pilot Assembly, NG		2166-370	Y
	Pilot Assembly, Propane		2166-371	Y
	Pilot Tube		SRV485-301	Y
18.3	3-Hole Grommet		SRV2118-420	
18.4	Kapton Lens, Light Orange (Only for the -S back accent lights)	Qty 2 req	2166-171	Y
18.5	Glass, 1/4 " (Qty 3 req for -G, Qty 5 req for -S)		2166-163	Y
18.6	2-Gang LED Assembly (Only for the -S)		2166-316	Y
18.7	Valve Bracket		2118-104	
18.8	Flex Ball Valve Assembly		SRV302-320	Y
18.9	Valve, NG		2166-302	Y
	Valve, Propane		2166-303	Y
18.10	Male Connector	Pkg of 5	303-315/5	Y
18.11	Bulkhead W/Flex tube		2166-119	Y
18.12	Battery Pack**		SRV2326-134	Y
18.13	Harness, IFT 6 Pin Wiring		SRV2326-132	Y
18.14	Module, RF FCC		2326-120	Y
18.15	Transformer, 6 Volt Wall		SRV2326-131	Y
18.16	Module, B Type AC		2326-150	Y
18.17	Module, IFT Control		2326-130	Y
18.18	Cable, B Type AC Module		SRV2326-152	Y
18.19	LED Controller		2166-336	Y
18.20	3-Gang LED Assembly		2166-315	Y
18.21	Kapton Lens, Dark Orange (Only for the front ember lights)	Qty 3 req	2166-184	Y
	Component Tray		2279-180	
	Orifice, NG (0.124)		582-8124	Y
	Orifice, Propane (#49C)		SRV582-849	Y

**Fuse for battery pack can be sourced locally, not a warranty item. Specs are 250v, 3A fuse, 3/4" long

Additional service part numbers on following page.



Service Parts

6000CLX-IFT-G, 6000CLX-IFT-S

No one builds a better fire

Beginning Manufacturing Date: Mar 2018

Ending Manufacturing Date: Active

IMPORTANT: THIS IS DATED INFORMATION. Parts must be ordered from a dealer or distributor. **Hearth and Home Technologies does not sell directly to consumers.** Provide model number and serial number when requesting service parts from your dealer or distributor.



**Stocked
at Depot**

ITEM	DESCRIPTION	COMMENTS	PART NUMBER	
	Flue Restrictor	Qty 2 req	385-328	
	Gasket Assembly Contains: Vent, Burner Neck, Valve, LED, and Adjustable Air Shutter Gaskets		2166-081	
	Glass Latch Assembly	Qty 4 req	2155-045	Y
	Mineral Wool		050-721	
	RC400 Remote		SRV2326-110	Y
	Teco-Sil, 5lb. Bag White Ember Bed Rock		700-790	
	Touch Up Paint		TUP-GBK-12	
	Touch Up Paint, Logs		2372-099	
	Refractory Kit Black Glass, 6000CLX-IFT-G		SRV2506-079	
	Top Refractory (-G)		SRV2506-713	
	Refractory Kit Stratford, 6000CLX-IFT-S		SRV6CLXREF-STRT	
	Back Refractory (-S)		SRV2166-710	
	Left Refractory (-S)		SRV2166-711	
	Right Refractory (-S)		SRV2166-712	
	Top Refractory (-S)		SRV2166-713	
Conversion Kits				
	Conversion Kit NG		NGK-6CLX	Y
	Conversion Kit Propane		LPK-6CLX	Y
	Pilot Orifice, NG		SRV593-528	Y
	Pilot Orifice, Propane		SRV593-527	Y
	Regulator, NG		NGK-DXV-50	Y
	Regulator, Propane		SRVLPK-DXV-50	Y