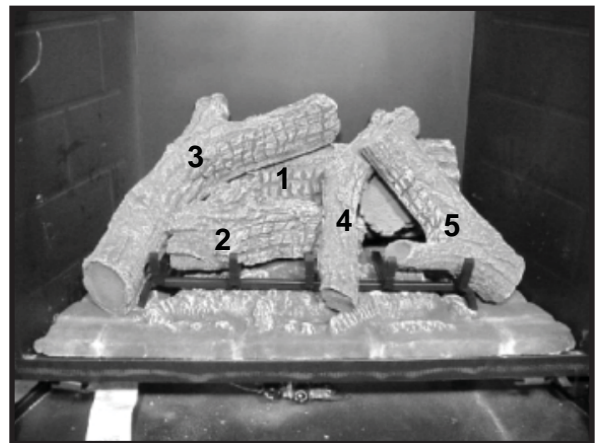


Log Set Assembly



Part number list on following page.

IMPORTANT: THIS IS DATED INFORMATION. The most current information is located on your dealers' VIP site. When ordering, supply serial and model numbers to ensure correct service parts.

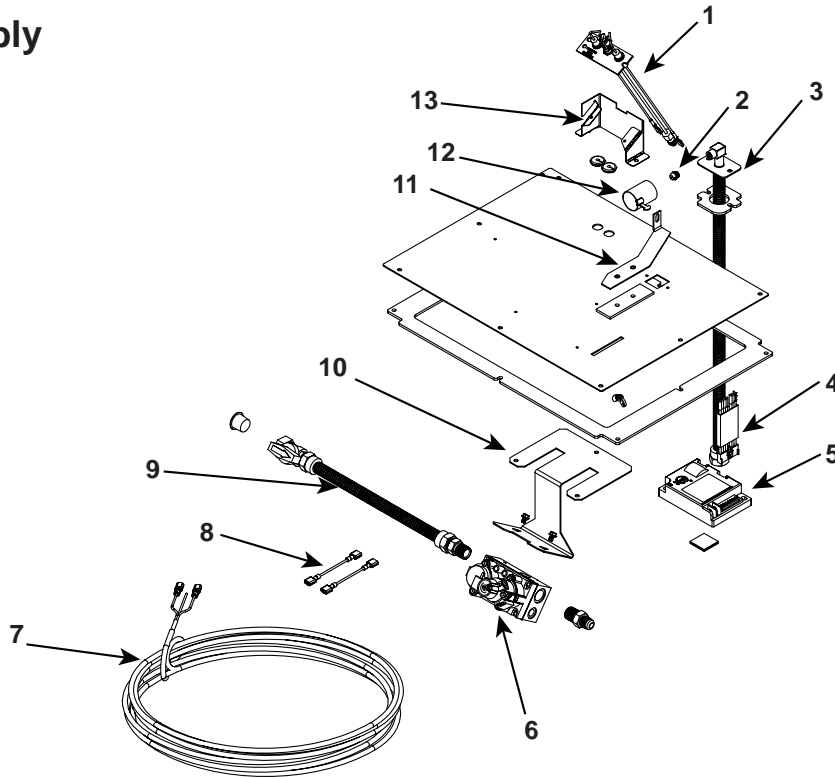


**AVAILABLE
TO SHIP IN
24 HOURS**

ITEM	DESCRIPTION	SERIAL #	PART NUMBER	
	Log Set Assembly		LOSG-6OAK	Y
1	Log 1		SRV385-720	
2	Log 2		SRV385-724	
3	Log 3		SRV385-721	
4	Log 4		SRV385-723	
5	Log 5		SRV385-722	
6	Junction Box		4021-013	Y
7	Grate Assembly		383-360A	
8	Burner NG, LP		SRV2092-011	Y
9	Insulation Board		2092-107	
10	Sheetrock Ledge		2092-110	
11	Glass Door Assembly		GLA-6TROC	Y
12	Surround		2092-103	
13	Surround cover		2092-108	
	Refractory Kit		BRICK-6000-FB	
	Right Wall		SRV2027-372	
	Left Wall		SRV2027-371	
	Back Wall		SRV2027-370	
	Glass Latch Assembly		386-122A	Y
	Flue Restrictor		385-128	
	Mineral Wool		050-721	
	Vermiculite Embers		MYSTIC-EMBERS	
	Gasket Assembly Contains Burner neck, shutter bracket, vent, seal cap, and valve plate gaskets		385-402A	
	Touch Up Paint		TUP-GBK-12	
	Refractory Patch Kit		SRV-PACK	
	Conversion Kit NG		NGK-6CF-IPI	Y
	Conversion Kit LP		LPK-6CF-IPI	Y
	Pilot Orifice NG		593-528	Y
	Pilot Orifice LP		593-527	Y
	Regulator NG		NGK-DXV	Y
	Regulator LP		LPK-DXV	Y

Additional service part numbers appear on following page.

IPI Valve Assembly



IMPORTANT: THIS IS DATED INFORMATION. The most current information is located on your dealers' VIP site. When ordering, supply serial and model numbers to ensure correct service parts.



**AVAILABLE
TO SHIP IN
24 HOURS**

ITEM	DESCRIPTION	SERIAL #	PART NUMBER	
1	Pilot Assembly NG		2090-012	Y
	Pilot Assembly LP		2090-013	Y
2	Orifice NG (#37)		582-837	Y
	Orifice LP (#52)		582-852	Y
3	Flexible Gas Connector		530-302A	Y
4	Module Wire Assembly		593-590a	Y
5	Module		593-592	Y
6	Valve NG		750-500	Y
	Valve LP		750-501	Y
7	Thermostat Wire Assembly		2045-024	Y
8	Jumper Wires 2 inch		2012-206	Y
9	Flex Ball Valve Assembly		302-320A	Y
10	Valve Bracket		2059-104	
11	Shutter Bracket Assembly		2026-017	Y
12	Shutter Assembly		2026-130	Y
13	Pilot Bracket		2025-110	
	3 Volt Transformer		593-593A	Y
	Battery Pack		593-594A	Y