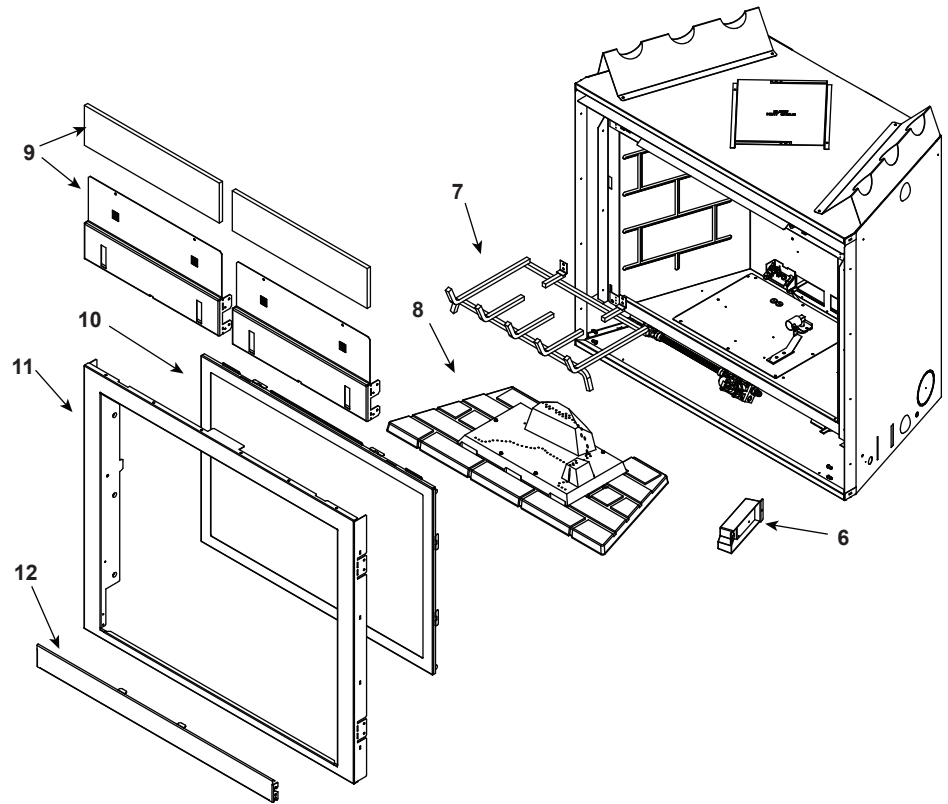
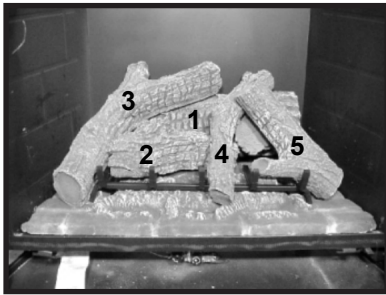


Log Set Assembly



IMPORTANT: THIS IS DATED INFORMATION. Parts must be ordered from a dealer or distributor. **Hearth and Home Technologies does not sell directly to consumers.** Provide model number and serial number when requesting service parts from your dealer or distributor.



Stocked at Depot

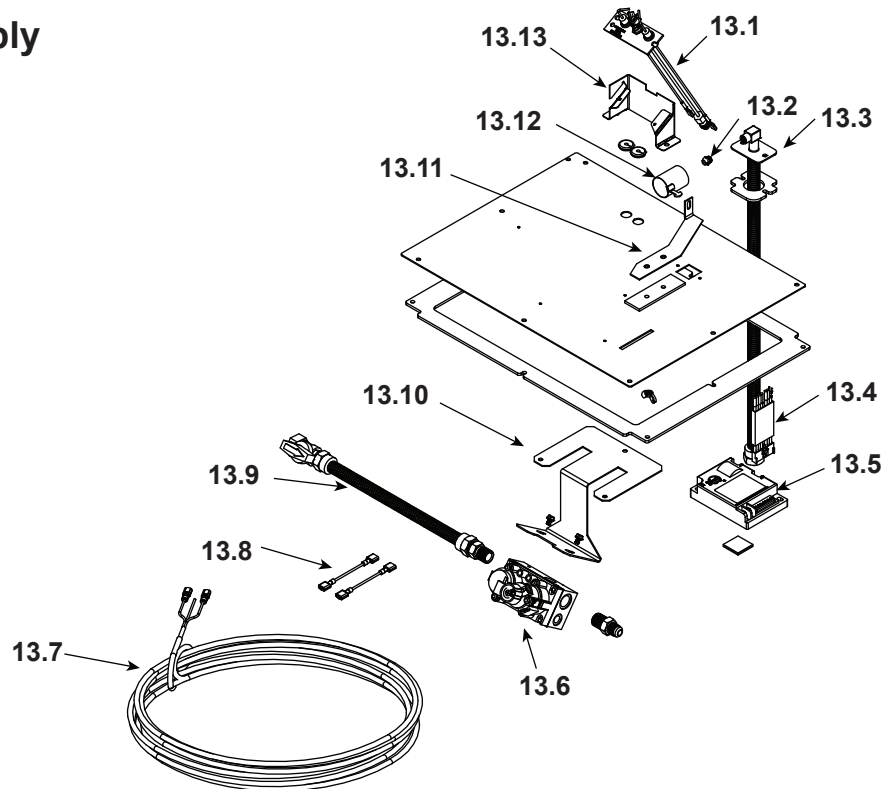
ITEM	DESCRIPTION	COMMENTS	PART NUMBER	
	Log Set Assembly		LOGS-6OAK	Y
1	Log 1	No longer available, Must order complete assembly	SRV385-720	
2	Log 2		SRV385-724	
3	Log 3		SRV385-721	
4	Log 4		SRV385-723	
5	Log 5		SRV385-722	
6	Junction Box		SRV4021-013	Y
7	Grate Assembly	No longer available	SRV383-360A	
8	Burner NG, LP (Must be ordered by Tech as a custom through Engineering)		SRV2025-007A	
9	Non-combustible Board	No longer available	2092-107A	
10	Glass Door Assembly		GLA-6TROC	Y
11	Surround	No longer available	2092-103	
12	Surround cover	No longer available	2092-108	

Additional service part numbers appear on following page.

No one builds a better fire

Beginning Manufacturing Date: June 2005
Ending Manufacturing Date: Sept 2006

#13 Valve Assembly



IMPORTANT: THIS IS DATED INFORMATION. Parts must be ordered from a dealer or distributor. **Hearth and Home Technologies does not sell directly to consumers.** Provide model number and serial number when requesting service parts from your dealer or distributor.



**Stocked
at Depot**

ITEM	DESCRIPTION	COMMENTS	PART NUMBER	
13.1	Pilot Assembly NG		SRV2090-012	Y
	Pilot Assembly LP		2090-013	Y
13.2	Orifice NG (#37)		582-837	Y
	Orifice LP (#52)		SRV582-852	Y
13.3	Flexible Gas Connector		530-302A	Y
13.4	Module Wire Assembly		SRV593-590	Y
13.5	Module		SRV593-592	Y
13.6	Valve NG		750-500	Y
	Valve LP		750-501	Y
13.7	Thermostat Wire Assembly		2045-024	Y
13.8	Jumper Wires 2 inch		SRV2012-206	Y
13.9	Flex Ball Valve Assembly		SRV302-320	Y
13.10	Valve Bracket	No longer available	2110-102	
13.11	Shutter Bracket Assembly	No longer available	2026-017	
13.12	Shutter Assembly		2026-130	Y
13.13	Pilot Bracket		2025-110	
	3 Volt Transformer		SRV593-593	Y
	Battery Pack		SRV593-594	Y

Additional service part numbers appear on following page.



Service Parts

6000CF-OAK-IPI

Beginning Manufacturing Date: June 2005
Ending Manufacturing Date: Sept 2006

No one builds a better fire

IMPORTANT: THIS IS DATED INFORMATION. Parts must be ordered from a dealer or distributor. Hearth and Home Technologies does not sell directly to consumers. Provide model number and serial number when requesting service parts from your dealer or distributor.



Stocked at Depot

Table with 5 columns: ITEM, DESCRIPTION, COMMENTS, PART NUMBER, and Stocked at Depot. Rows include parts like Decorative Front, Fan Kit, Flue Restrictor, Gasket Assembly, Glass Latch Assembly, Mineral Wool, Refractory Kit, Remote, Touch Up Paint, Vermiculite Embers, Conversion Kit NG, Conversion Kit LP, Pilot Orifice NG, Pilot Orifice LP, Regulator NG, and Regulator LP.