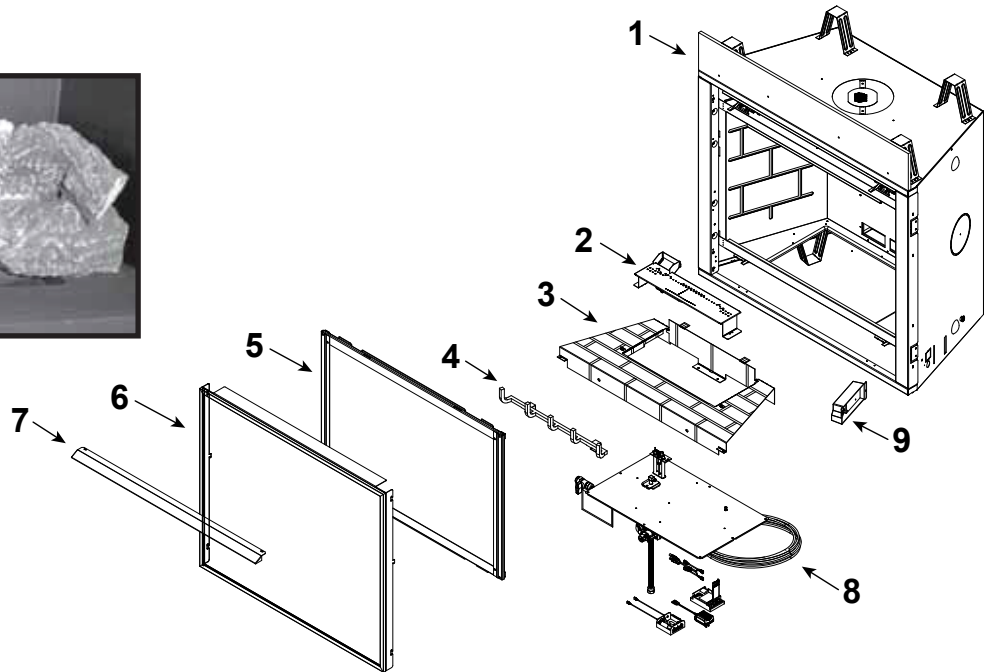


Log Set Assembly



IMPORTANT: THIS IS DATED INFORMATION. Parts must be ordered from a dealer or distributor. **Hearth and Home Technologies does not sell directly to consumers.** Provide model number and serial number when requesting service parts from your dealer or distributor.



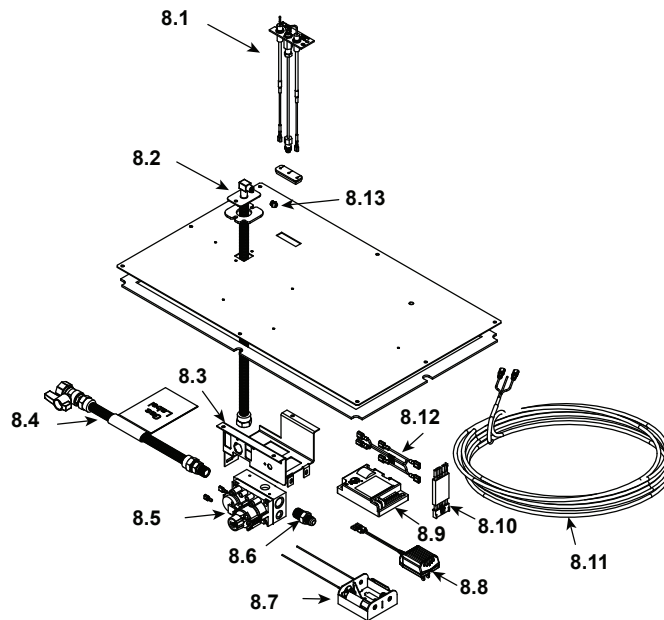
Stocked at Depot

| ITEM | DESCRIPTION | COMMENTS | PART NUMBER | |
|------|---|---------------------|---------------------|---|
| | Log Set Assembly | | LOGS-BE41 | Y |
| 1 | Insulation Board | | 2166-136 | |
| 2 | Burner NG/LP | | SRV2105-007 | Y |
| 3 | Base Refractory | No longer available | 381-124 | |
| 4 | Grate | No longer available | SRV60-361A | |
| 5 | Glass Door Assembly | | GLA-6000G | Y |
| 6 | Firescreen Front | No longer available | SRV2118-055 | |
| 7 | Hood | | 2118-230 | |
| 8 | Valve Assembly | | Refer to valve page | |
| 9 | Junction Box | | SRV4021-013 | Y |
| | Exhaust Shield | | 385-105 | |
| | Finsihing Strips | | SRVFS-6 | |
| | Flue Restrictor | | 385-128 | |
| | Gasket Assembly Contains Vent, Burner Neck, Valve, LED, and Adjustable Air Shutter Gaskets | | 2166-081 | |
| | Glass Clip Support Assembly | Qty 2 req | 2382-400 | Y |
| | Mineral Wool | | 050-721 | |
| | Surround | No longer available | 2166-019 | |
| | Touch Up Paint | | TUP-GBK-12 | |

No one builds a better fire

Beginning Manufacturing Date: Aug 2009
Ending Manufacturing Date: April 2017

#8 Valve Assembly



IMPORTANT: THIS IS DATED INFORMATION. Parts must be ordered from a dealer or distributor. **Hearth and Home Technologies does not sell directly to consumers.** Provide model number and serial number when requesting service parts from your dealer or distributor.



**Stocked
at Depot**

| ITEM | DESCRIPTION | COMMENTS | PART NUMBER | |
|------|--------------------------|---------------------|---------------|---|
| 8.1 | Pilot Assembly NG | | 2166-370 | Y |
| | Pilot Assembly LP | | 2166-371 | Y |
| | Pilot Tube | | SRV485-301 | Y |
| 8.2 | Flexible Gas Connector | | 530-302A | Y |
| 8.3 | Valve Bracket | | 2118-104 | |
| 8.4 | Flex Ball Valve Assembly | | SRV302-320 | Y |
| 8.5 | Valve NG | | 750-500 | Y |
| | Valve LP | | 750-501 | Y |
| 8.6 | Male Connector | Pkg of 5 | 303-315/5 | Y |
| 8.7 | Battery Pack | | SRV593-594 | Y |
| 8.8 | Transformer | | SRV593-593 | Y |
| 8.9 | Control Module | | SRV593-592 | Y |
| 8.10 | Module Wire Assembly | | SRV593-590 | Y |
| 8.11 | Thermostat Wire Assembly | | 2045-024 | Y |
| 8.12 | Remote Jumper Wire | | 2103-013 | Y |
| | Orifice NG (#38) | | 582-838 | Y |
| | Orifice LP (#52) | | SRV582-852 | Y |
| | Conversion Kit NG | No longer available | NGK-BE-41IPIC | |
| | Conversion Kit LP | No longer available | LPK-BE-41IPIC | |
| | Pilot Orifice NG | | SRV593-528 | Y |
| | Pilot Orifice LP | | SRV593-527 | Y |
| | Regulator NG | | SRVNGK-DXV | Y |
| | Regulator LP | | SRVLPK-DXV | Y |