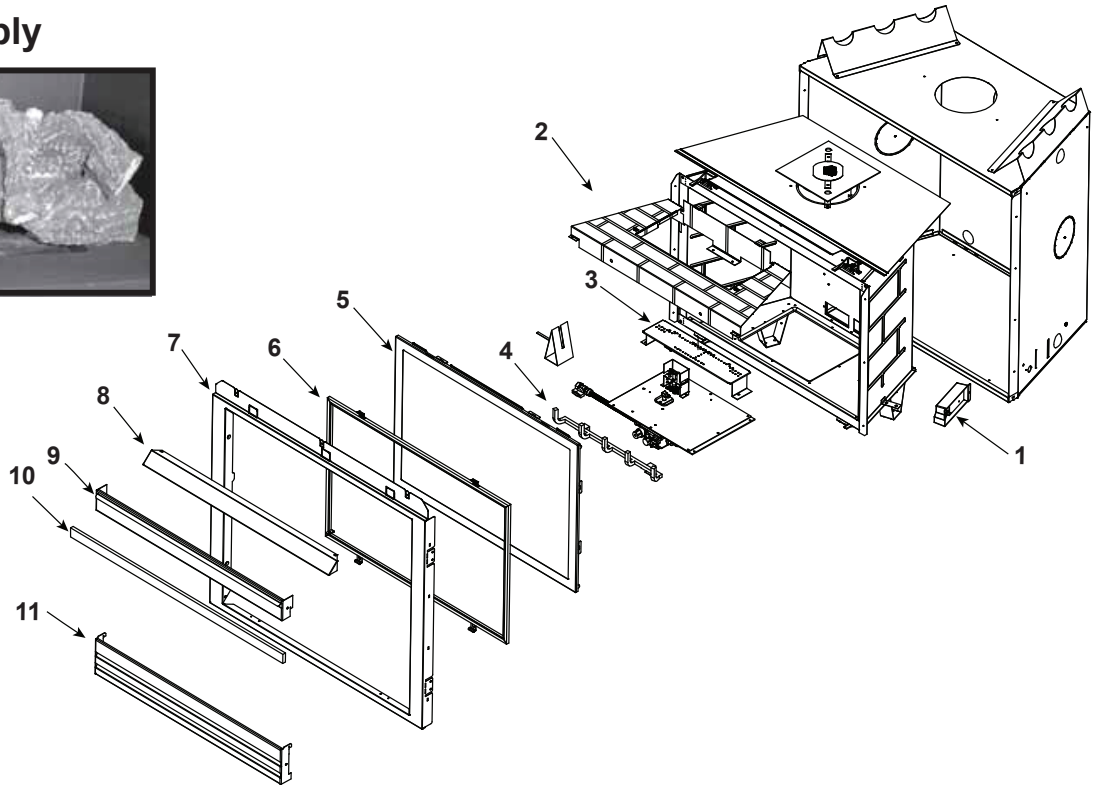


Log Set Assembly



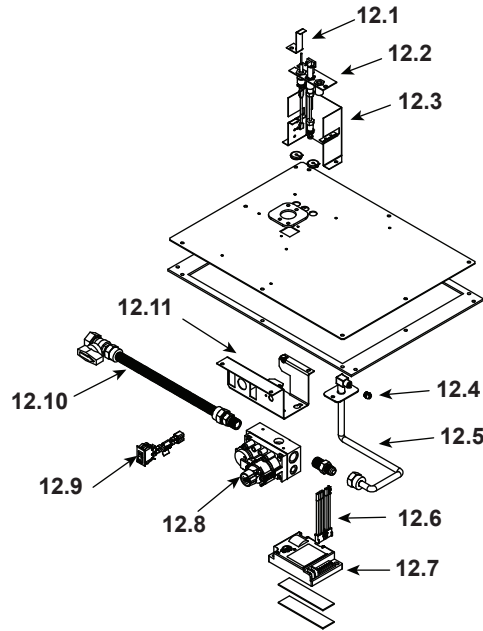
IMPORTANT: THIS IS DATED INFORMATION. Parts must be ordered from a dealer or distributor. **Hearth and Home Technologies does not sell directly to consumers.** Provide model number and serial number when requesting service parts from your dealer or distributor.



Stocked
at Depot

ITEM	DESCRIPTION	COMMENTS	PART NUMBER	
	Log Set Assembly		LOGS-BE41	Y
1	Junction Box		SRV4021-013	Y
2	Base Refractory	No longer available	381-124	
3	Burner NG		381-376A	Y
	Burner LP		381-375A	Y
4	Grate	No longer available	SRV60-361A	
5	Glass Door Assembly		GLA-750TR	Y
6	Mesh Assembly		SRV530-382A	Y
7	Surround	No longer available	2026-108	
8	Hood		SRV60-143-BK	
9	Louver, top	No longer available	394-249	
10	Insulation board		385-401	
11	Louver, bottom	No longer available	SRV394-114-BK	
	Gasket Assembly Contains Burner neck, shutter bracket, vent, seal cap, and valve plate gaskets	No longer available	SRV385-402A	
	Flue Restrictor		385-128	
	Glass Latch Assembly	Pkg of 2	386-122A/2	Y
	Touch Up Paint		TUP-GBK-12	

#12 Valve Assembly



IMPORTANT: THIS IS DATED INFORMATION. Parts must be ordered from a dealer or distributor. **Hearth and Home Technologies does not sell directly to consumers.** Provide model number and serial number when requesting service parts from your dealer or distributor.



Stocked at Depot

ITEM	DESCRIPTION	COMMENTS	PART NUMBER	
12.1	Ground Strap	No longer available	2025-512	
12.2	Pilot Assembly NG		4021-422	Y
	Pilot Assembly LP		4021-423	Y
12.3	Pilot Bracket	No longer available	530-164	
12.4	Orifice NG (#38)		582-838	Y
	Orifice LP (#52)		SRV582-852	Y
12.5	Flexible Gas Connector		383-302A	Y
12.6	Module Wire Assembly		SRV593-590	Y
12.7	Module		SRV593-592	Y
12.8	Valve NG		750-500	Y
	Valve LP		750-501	Y
12.9	On/Off Rocker Switch		060-521A	Y
12.10	Flex Ball Valve Assembly		SRV302-320	Y
12.11	Valve Bracket	No longer available	2025-101	
	Wire Assembly	No longer available	571-514A	
	Battery Pack		SRV593-594	Y
	3 Volt Transformer		SRV593-593	Y
	Conversion Kit NG		N/A	
	Conversion Kit LP	No longer available	LPK-6000BE-IPI	
	Pilot Orifice NG		SRV446-505	Y
	Pilot Orifice LP		SRV446-517	Y
	Regulator NG		SRVNGK-DXV	Y
	Regulator LP		SRVLPK-DXV	Y