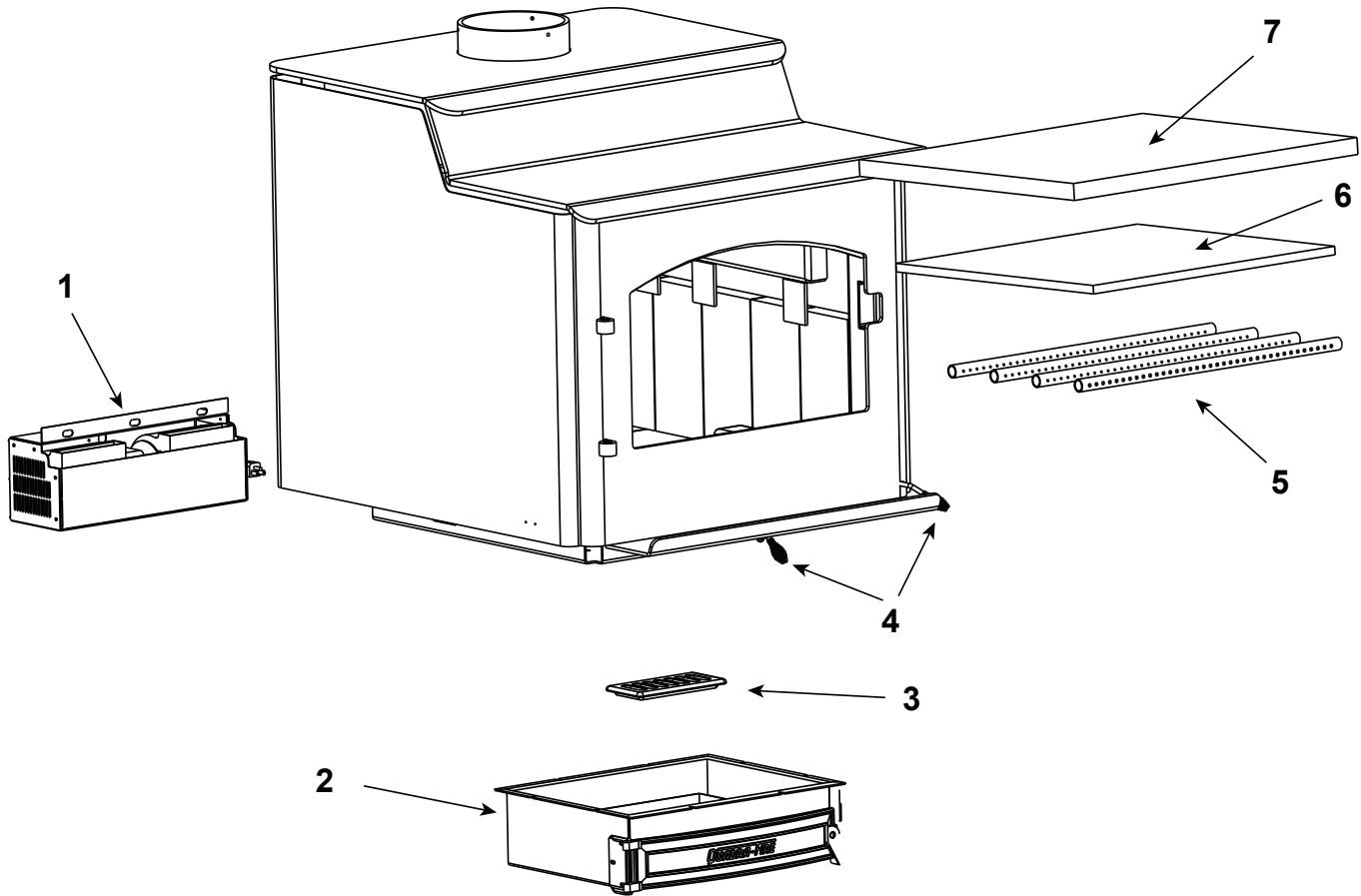


820-0720 (April 2002 - Jan. 2003), 820-0721 (Feb. 2003 - May 2009)



Part number list on following page.

Beginning Manufacturing Date: April 2002
Ending Manufacturing Date: May 2009

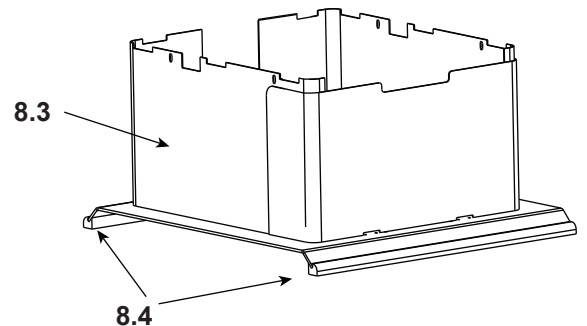
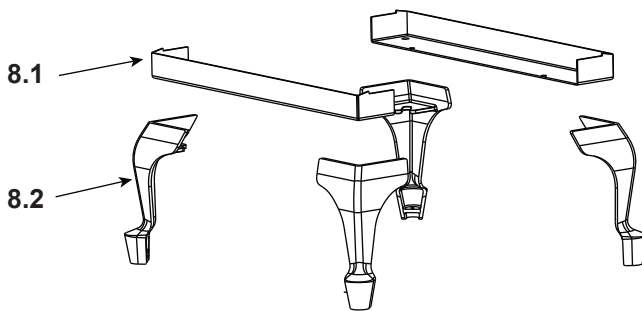
IMPORTANT: THIS IS DATED INFORMATION. Parts must be ordered from a dealer or distributor. **Hearth and Home Technologies does not sell directly to consumers.** Provide model number and serial number when requesting service parts from your dealer or distributor.



**Stocked
at Depot**

ITEM	DESCRIPTION	COMMENTS	PART NUMBER	
1	Blower Assembly	No longer available	831-1701	
	Blower Cord w/ Speed Control		821-0110	Y
	Blower, Convection - Replacement Blower		812-4900	Y
2	Ash Pan Removal System (ARS) Assembly w/Cast Door	No longer available	831-1671	
3	Grate, ARS		832-2980	
	Ash Box Hinge		434-0310	
	Ash Pan		434-0330	
	Gasket, Rope, 3/8, Field Cut to Size	10 Ft	SRV7000-134	
	Handle, Ash Removal System		472-5060	
	Plug, Trimount, .250"	Pkg of 24	229-0880/24	Y
4	Spring Handle, Air Control, 1/4"	Gold	832-0630	Y
		Nickel	250-8340	Y
5	Manifold Tube Set		832-3440	Y
	Manifold Clip/Screws		832-0661	Y
6	Baffle, Fiberboard		832-3430	Y
7	Ceramic Fiber Blanket, 1 In., Field Cut to Size		832-3401	Y

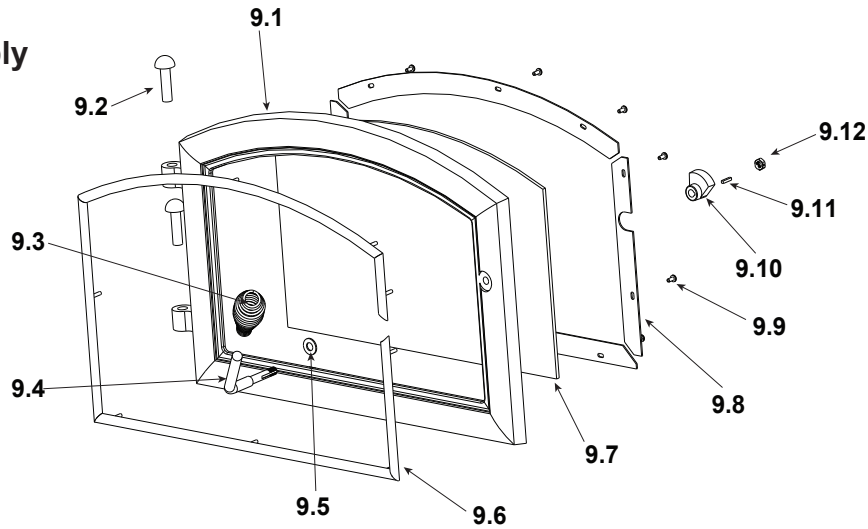
#8 Legs and Pedestal Assemblies



8.1	Leg Adapter (Bracket)	No longer available	472-0540	
8.2	Legs, Queen Anne	Black	831-1240	
		No longer available	831-1250	
		Nickel	LEGS-QANL	
8.3	Pedestal Base Assembly	No longer available	831-1910	
8.4	Trim, Oak Strips	No longer available	SRV472-0520	

Additional service part numbers appear on following page.

#9 Door, Glass and Door Handle Assembly



IMPORTANT: THIS IS DATED INFORMATION. Parts must be ordered from a dealer or distributor. **Hearth and Home Technologies does not sell directly to consumers.** Provide model number and serial number when requesting service parts from your dealer or distributor.

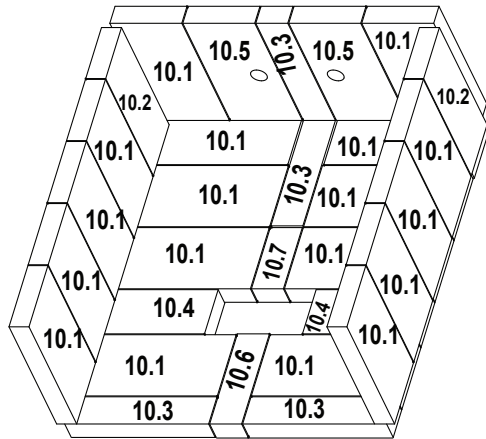


Stocked at Depot

ITEM	DESCRIPTION	COMMENTS	PART NUMBER	
9.1	Door Assembly	No longer available	831-1921	
		No longer available	831-1931	
		No longer available	DR-57NL	
9.2	Hinge Pins, 1/2"	Gold	832-0250	
		Nickel	SRV430-5320	
9.3	Spring Handle, 1/2"	Gold	832-0620	Y
		Nickel	250-8330	Y
9.4	Door Handle Only		SRV430-1131	
9.5	Washer, Sae, 3/8	Pkg of 3	832-0990	
9.6	Trim Ring, Door	No longer available	472-0600	
		No longer available	472-0690	
9.7	Glass Assembly - 17.61 W x 11.49 H		SRV7000-014	Y
9.8	Glass Frame Set		GLA-FRM-5700	
9.9	Screw, Flat Head Philips 8-32 x 1/2	Pkg of 10	832-0860	
9.10	Cam Latch		SRV430-1141	
9.11	Key, Cam Latch		SRV430-1151	
9.12	Nut, Locking (For Door Handle)	Pkg of 24	226-0100/24	Y
	Logo, Quadra-Fire	Pkg of 10	7000-649/10	
	Gasket, Glass Tape, 3/4", Field Cut to Size	5 Ft.	832-0460	Y
	Rope, Door, 3/4" x 84", Field Cut to Size	7 Ft.	832-1680	Y
	Component Pack (Includes Gold Spring Handles (1) 1/2" & (2) 1/4", (2) Gold Hinge Pins, Quadra-Fire Logo)	Gold	436-5350	
	Component Pack (Includes Nickel Spring Handles (1) 1/2" & (2) 1/4", (2) Nickel Hinge Pins, Quadra-Fire Logo)	Nickel	436-5360	

Additional service part numbers appear on following page.

#10 Brick Set



IMPORTANT: THIS IS DATED INFORMATION. Parts must be ordered from a dealer or distributor. **Hearth and Home Technologies does not sell directly to consumers.** Provide model number and serial number when requesting service parts from your dealer or distributor.



Stocked at Depot

ITEM	DESCRIPTION	COMMENTS	PART NUMBER	
10	Brick Assembly - Complete Set	Pkg of 30	832-3410	
10.1	Brick, 9 x 4.5 x 1.25"	Qty 18 reg		
10.2	Brick, 9 x 3.75 x 1.25"	Qty 2 reg		
10.3	Brick, 9 x 2 x 1.25"	Qty 4 reg		
10.4	Brick, 7 x 3.25 x 1.25"	Qty 2 reg		
10.5	Brick w/Hole, 9 x 4.5 x 1.25	Pkg of 2	SRV436-0380	
10.6	Brick, 6.5 x 2 x 1.25"	Qty 1 req		
10.7	Brick, 4.5 x 2 x 1.25"	Qty 1 req		
	Brick, Uncut	Pkg of 1	832-0550	
		Pkg of 6	832-3040	
	Ars Firebox Seal Plate Assembly	No longer available	832-3110	
	Handle Assembly	w/Secondary Latch	472-5130	
	Paint Touch-Up, 4 oz		812-0910	
	Reliner Kit, Service		SRV472-5170	
	Speed Control Only (Rheostat)		842-0370	Y
ACCESSORIES				
	Outside Air Kit	No longer available	831-1780	
	Front Cover	No longer available	436-7000	
	Outside Air Shield		SRV33271	Y
	Rear Channel, Outside Air Kit	No longer available	436-7020	
	Rear Cover Plate	No longer available	436-7030	
	Side Channels		436-7010	
	Upgrade, Door, Nickel Spring Handles, Hinge Pins & Logo		UK-DRNL	
FASTENERS				
	Avk Rivnut Repair Kit - 1/4-20 & 3/8-16 Rivnut Tools		RIVNUT-REPAIR	Y
	Screw, Machine Screw 1/4-20 X 5/8	Pkg of 24	220-0440/24	Y
	Screw, Pan Head Philips 8-32 X 3/4	Pkg of 24	229-1100/24	Y