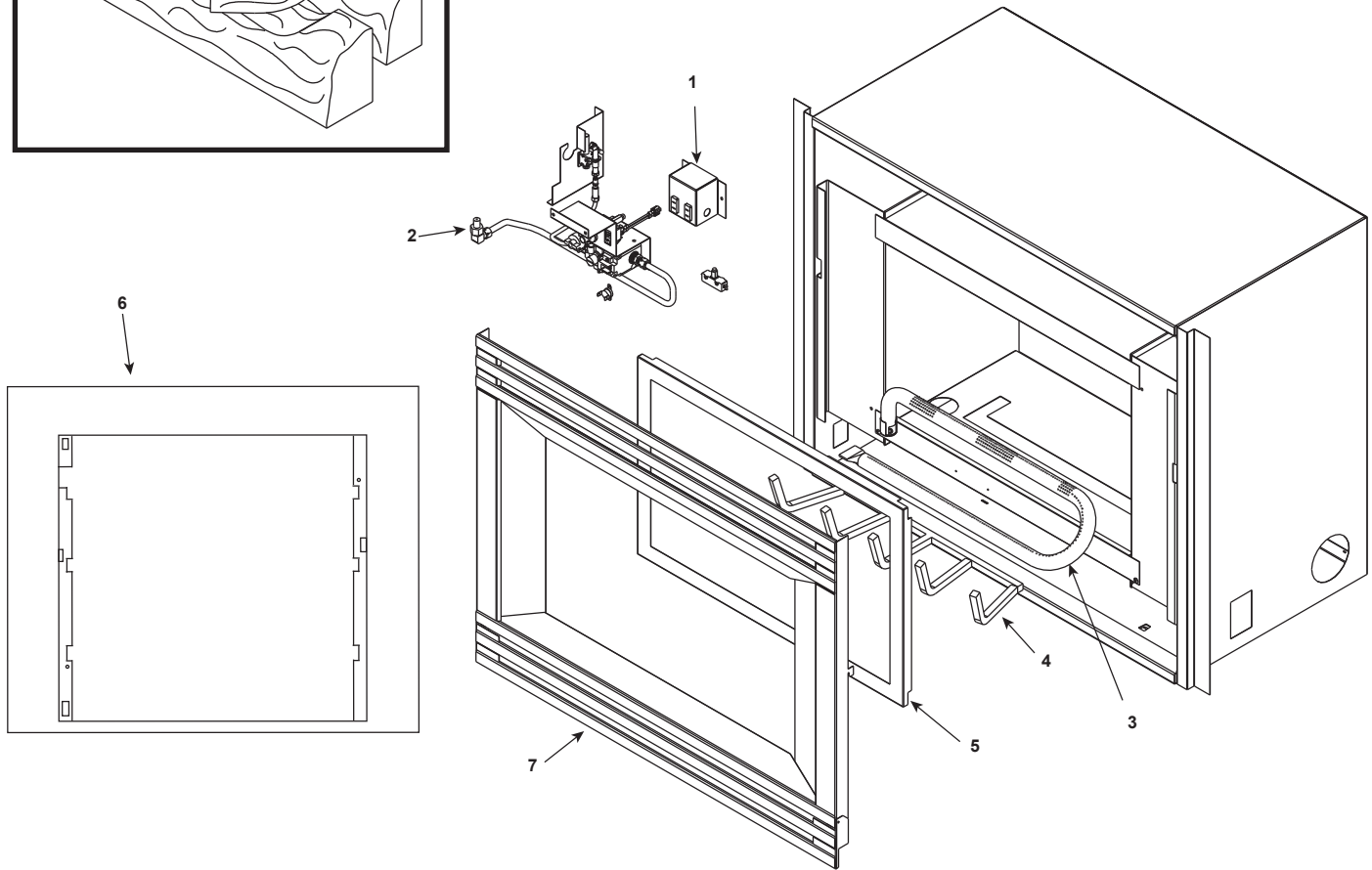
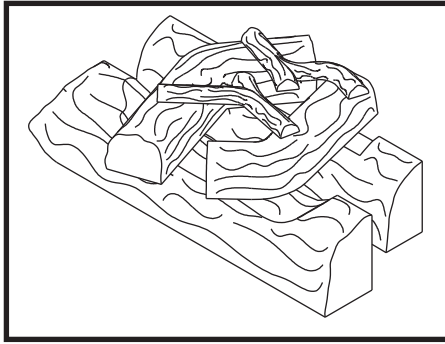


Log Set Assembly



IMPORTANT: THIS IS DATED INFORMATION. Parts must be ordered from a dealer or distributor. **Hearth and Home Technologies does not sell directly to consumers.** Provide model number and serial number when requesting service parts from your dealer or distributor.



**Stocked
at Depot**

ITEM	DESCRIPTION	COMMENTS	PART NUMBER	
	Log Set Assembly	No longer available	LOGS-20	
1	Junction Box		100-250A	Y
2	Orifice NG (#43B)	No longer available	040-800	
	Orifice LP (#54B)	No longer available	040-801	
3	Burner NG	No longer available	040-326A	
	Burner LP	No longer available	040-327A	
4	Grate Assembly	No longer available	043-360A	
5	Glass Door Assembly	No longer available	GLA-5TV	
6	Surround	No longer available	048-120	
7	Decorative Front	No longer available	DF-5000TV-BK	

No one builds a better fire

Beginning Manufacturing Date: June 1991
Ending Manufacturing Date: May 1997

IMPORTANT: THIS IS DATED INFORMATION. Parts must be ordered from a dealer or distributor. **Hearth and Home Technologies does not sell directly to consumers.** Provide model number and serial number when requesting service parts from your dealer or distributor.



**Stocked
at Depot**

ITEM	DESCRIPTION	COMMENTS	PART NUMBER	
	Burner Tube		477-301A	Y
	Fan Kit		GFK-160A	
	High Temp Limit Switch		SRV4021-383	Y
	Microswitch		060-514	Y
	Piezo Ignitor		291-513	Y
	Pilot Assembly NG		446-512A	Y
	Pilot Assembly LP		446-513A	Y
	Thermopile		2103-512	Y
	Pilot Tube		SRV446-301	Y
	Remote		SMART-STAT-HHT	
	Touch Up Paint		TUPB-12	
	Valve NG		060-500	Y
	Valve LP		060-501	Y
	Conversion Kit NG	No longer available	NGK-5TV	
	Conversion Kit LP	No longer available	LPK-5TV	
	Pilot Orifice NG		SRV446-505	Y
	Pilot Orifice LP		SRV446-517	Y
	Regulator NG		SRV060-504	Y
	Regulator LP		SRV060-516	Y
HSI IGNITION				
	Ceramic Ignitor	No longer available	060-593	
	Module	No longer available	060-592	
	Transformer	No longer available	060-599	
	Valve, NG/LP (LP conversion option included)	No longer available	060-503	