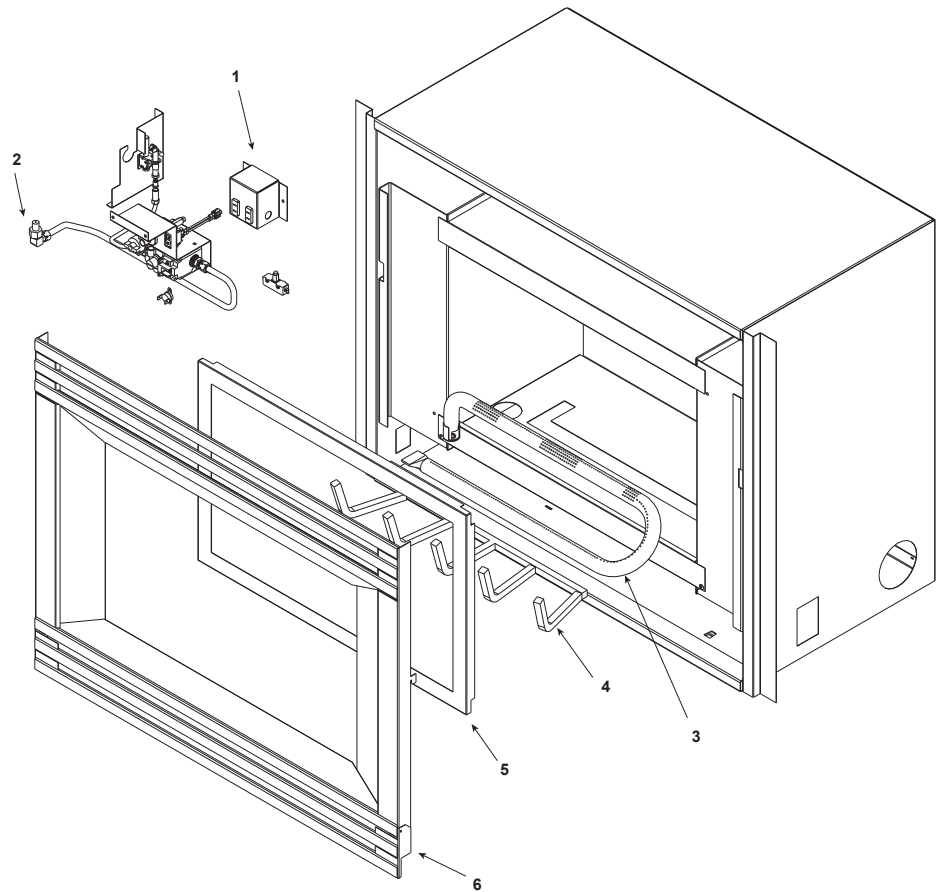
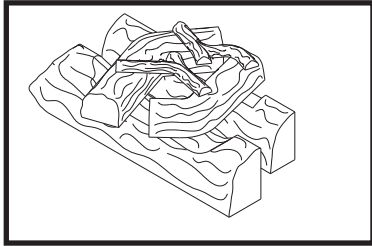


Log Set Assembly



IMPORTANT: THIS IS DATED INFORMATION. Parts must be ordered from a dealer or distributor. **Hearth and Home Technologies does not sell directly to consumers.** Provide model number and serial number when requesting service parts from your dealer or distributor.



Stocked at Depot

ITEM	DESCRIPTION	COMMENTS	PART NUMBER	
	Log Set Assembly	No longer available	LOGS-20	
1	Junction Box		100-250A	Y
2	Burner Orifice Rear NG (#45A)	No longer available	062-801	
	Burner Orifice LP (#55A)	No longer available	041-801	
3	Burner NG	No longer available	072-326A	
	Burner LP	No longer available	072-325A	
4	Grate Assembly	No longer available	043-360A	
5	Glass Door Assembly	Older Units w/Wing nuts	GLA-5DV	Y
		No longer available	GLA-5DVS	
6	Decorative Front, Black	No longer available	DF-5000DV-BK	
	Burner Tube		477-301A	Y
	Fan Kit		GFK-160A	
	High Temp Limit Switch		092-531	Y
	Piezo Ignitor		291-513	Y
	Remote		SMART-STAT-HHT	
	Touch Up Paint		TUPB-12	

No one builds a better fire

Beginning Manufacturing Date: Sept 1995
Ending Manufacturing Date: May 1997

IMPORTANT: THIS IS DATED INFORMATION. Parts must be ordered from a dealer or distributor. **Hearth and Home Technologies does not sell directly to consumers.** Provide model number and serial number when requesting service parts from your dealer or distributor.



**Stocked
at Depot**

ITEM	DESCRIPTION	COMMENTS	PART NUMBER	
Robertshaw Valve				
	Valve NG		060-500	Y
	Valve LP		060-501	Y
	Microswitch		040-520A	Y
	Pilot Assembly NG		446-512A	Y
	Pilot Assembly LP		446-513A	Y
	Pilot Tube		SRV446-301	Y
	Thermopile		2103-512	Y
	Conversion Kit NG	No longer available	NGK-5DV	
	Conversion Kit LP	No longer available	LPK-5DV	
	Pilot Orifice NG		SRV446-505	Y
	Pilot Orifice LP		SRV446-517	Y
	Regulator NG		SRV060-504	Y
	Regulator LP		SRV060-516	Y
S.I.T. Valve				
	Valve NG		418-500	Y
	Valve LP		418-501	Y
	Pilot Assembly NG		2103-010	Y
	Pilot Assembly LP		2103-011	Y
	Thermocouple	For NG - 2103-511 For LP - 571-511		Y
	Thermopile		2103-512	Y
	Conversion Kit NG	No longer available	NGK-5DV-SIT	
	Conversion Kit LP	No longer available	LPK-5DV-SIT	
	Pilot Orifice NG		SRV2103-116	Y
	Pilot Orifice LP	No longer available	571-517	
	Regulator NG	No longer available	NGK-11	
	Regulator LP	No longer available	LPK-11	
DSI Ignition				
	Valve NG	No longer available	SRV462-500	
	Valve LP	No longer available	SRV462-501	
	Module	No longer available	398-592	
	Electrode	No longer available	416-591	
HSI Igniton				
	Valve, NG/LP (LP conversion option included)	No longer available	060-503	
	Module	No longer available	060-592	
	Ignitor	No longer available	060-593	
	Transformer	No longer available	060-599	