

Part number list on following page.

Beginning Manufacturing Date: Feb 2007  
Ending Manufacturing Date: Oct 2016

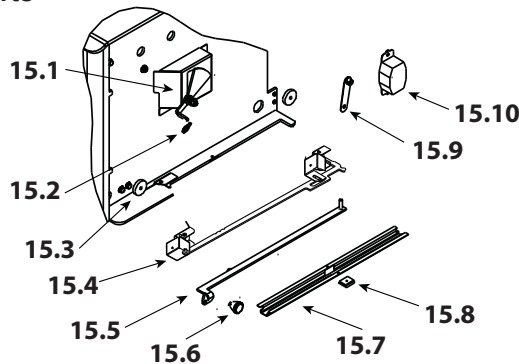
IMPORTANT: THIS IS DATED INFORMATION. Parts must be ordered from a dealer or distributor. **Hearth and Home Technologies does not sell directly to consumers.** Provide model number and serial number when requesting service parts from your dealer or distributor.



Stocked at Depot

ITEM	DESCRIPTION	COMMENTS	PART NUMBER	
1	Air Supply Back		SRV7033-134	
2	Air Channel, Convection w/Bracket - <b>Retain original serial # label</b>		SRV7033-144	
3	Panel Assembly, Side, Left		7037-011	
4	ARS Access Cover		SRV7038-196	
	Handle, Access Cover		SRV7038-197	
5	Tube Support Rack		7033-148	
6	Brick Retainer		7033-149	
7	Ceramic Fiber Blanket, 1/2 " Thick		832-3390	Y
8	Baffle Board - 9-1/2" W x 15-3/4" H	Qty: 2	SRV7037-112	Y
9	Rear Channel Assembly		7033-002	Y
10	Label, Burn Rate		SRV7033-160	
11	Panel Assembly, Side, Right		7037-010	
12	Label, Start-Up, Acc		SRV7033-166	
13	Tube Channel Top - Access Cover		SRV7033-237	
14	Tube, Channel Assembly	Manifold Tubes	SRV7033-023	Y

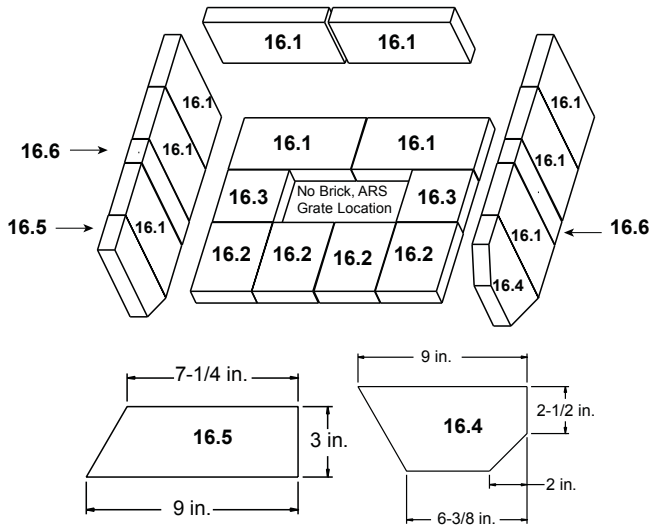
### #15 Burn Rate Controls & Associated Parts



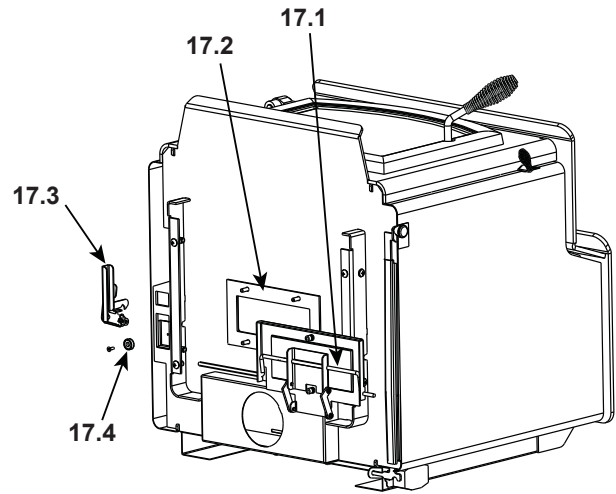
15.1	Burn Rate Control Assembly		7037-004	Y
15.2	Spring Handle, 1/4"	Gold	832-0630	Y
		Nickel	250-8340	Y
15.3	Door Gasket - Front & Rear Air Timer Doors		7033-282	Y
15.4	Timer Air Control Assembly		SRV7037-018	Y
	Rear Air Door Assembly		7037-013	Y
15.5	Rear Air Control Arm Assembly		7037-005	Y
15.6	Knob - Start-Up Control Knob		SRV7000-343	
15.7	Air Control Rod Guide		7033-210	
15.8	Latch, Magnet - For Air Control		SRV229-0631	
15.9	Timer Arm Assembly		7033-034	Y
15.10	Timer (Only) Replacement Assembly		SRV480-1940	Y

Additional service part numbers appear on following page.

**#16 Brick Assembly Set**



**#17 Door Assembly  
(Ash Pan Removal System)**



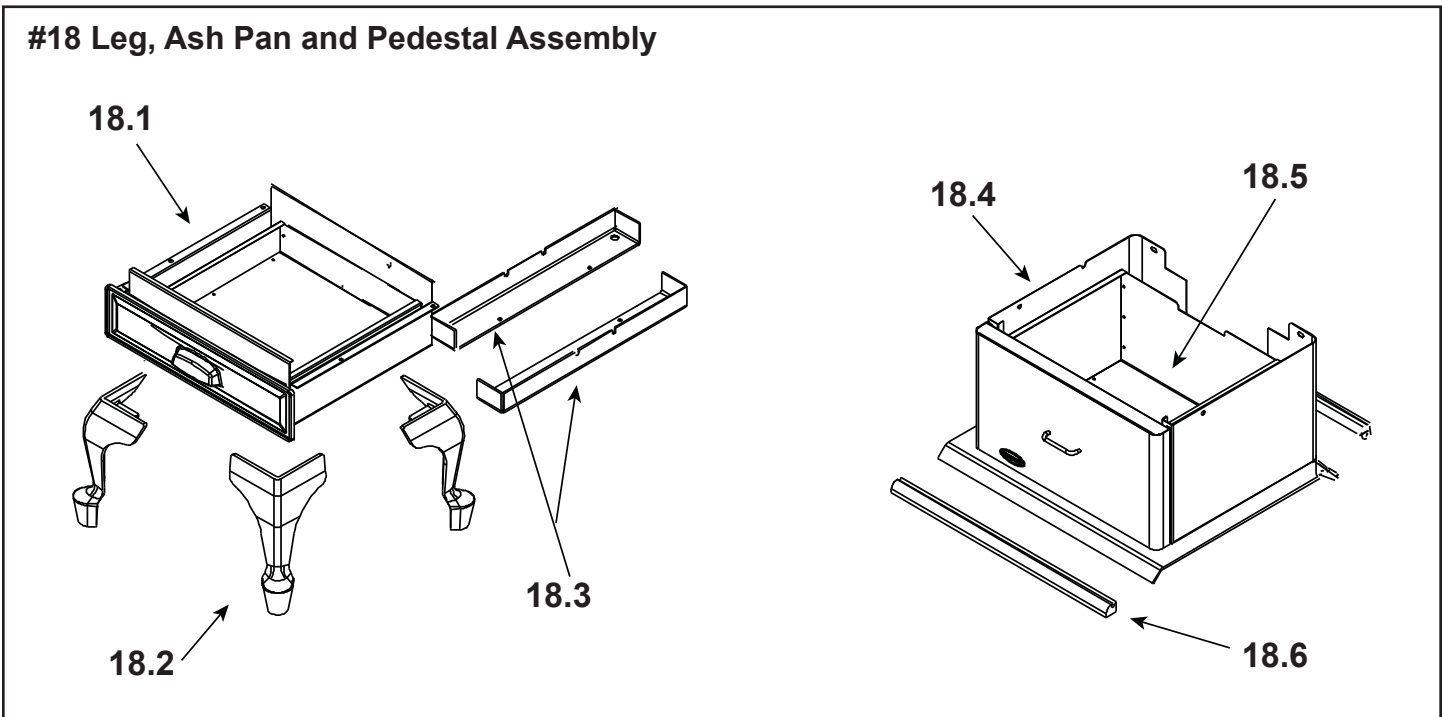
IMPORTANT: THIS IS DATED INFORMATION. Parts must be ordered from a dealer or distributor. **Hearth and Home Technologies does not sell directly to consumers.** Provide model number and serial number when requesting service parts from your dealer or distributor.



**Stocked at Depot**

ITEM	DESCRIPTION	COMMENTS	PART NUMBER	
16	Brick Assembly, Complete Set	Pkg of 20	SRV7037-012	
16.1	Brick, 9 x 4.5 x 1.25"	Qty. 10 Reg.		
16.2	Brick, 6 x 4.5"	Qty. 4 Reg.		
16.3	Brick, 9 x 4.5" with angle	Qty. 1 Reg.		
16.4	Brick, 4.5 x 4.5 x 4.25"	Qty. 2 Reg.		
16.5	Brick, 9 x 3" with angle	Qty. 1 Reg.		
16.6	Brick, small	Qty. 2 Reg.		
	Brick, Uncut	Pkg of 1	832-0550	
		Pkg of 6	832-3040	
<b>#17 Ash Pan removal System</b>				
17.1	Door Assembly (ARS - Ash Pan Removal System)		SRV7033-015	Y
17.2	Gasket		SRV7033-296	Y
17.3	Latch, Handle Assembly		SRV7033-047	Y
17.4	Magnet Round		7000-552	

Additional service part numbers appear on following page.



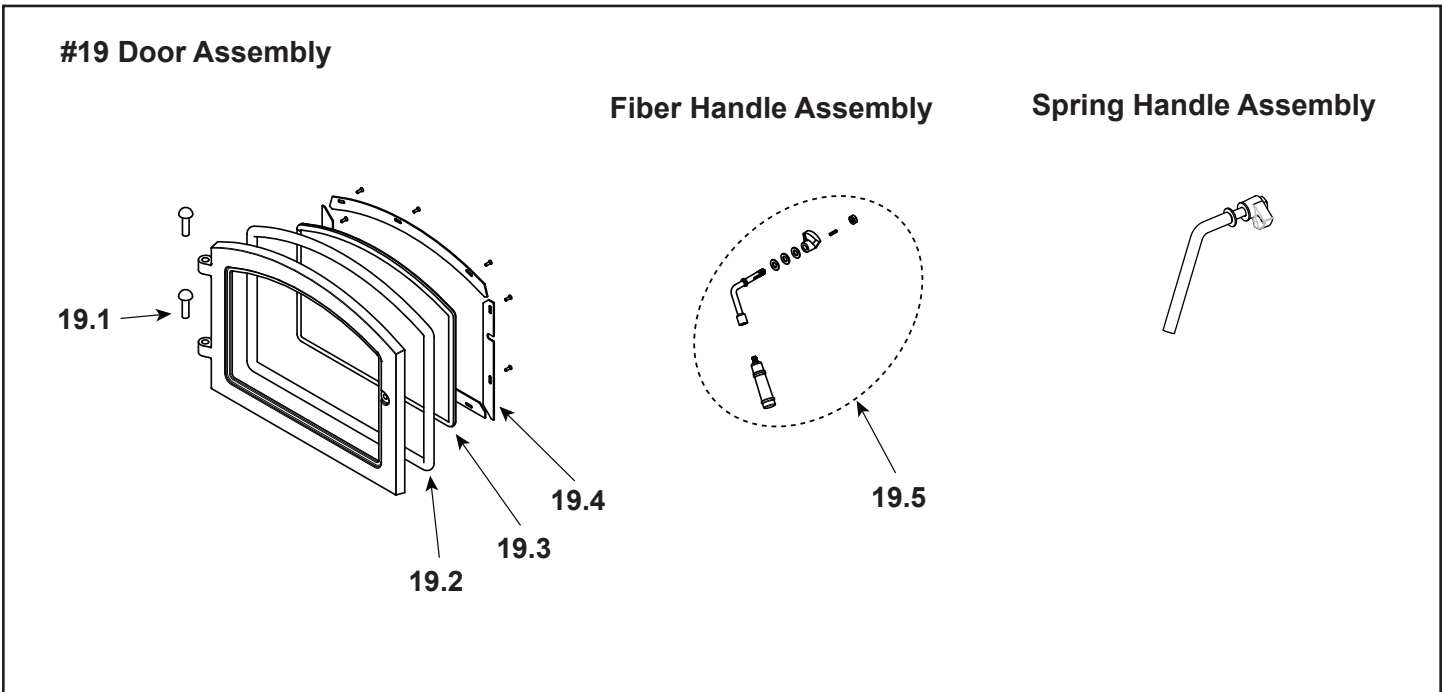
IMPORTANT: THIS IS DATED INFORMATION. Parts must be ordered from a dealer or distributor. **Hearth and Home Technologies does not sell directly to consumers.** Provide model number and serial number when requesting service parts from your dealer or distributor.



**Stocked at Depot**

ITEM	DESCRIPTION	COMMENTS	PART NUMBER	
	Leg Kit	Black	LEG-3143-BK	
		<b>No longer available</b>	LEG-3143-GD	
		Nickel	LEG-3143-NL	
18.1	Ash Pan Assembly		7033-008	
18.2	Legs, Queen Anne	Black	831-1240	
		<b>No longer available</b>	831-1250	
		Nickel	LEGS-QANL	
18.3	Leg Mount Kit		SRV7037-132	
	Ash Pan Leg (ARS - Ash Pan Removal System)		SRV7033-050	
	Component Pack, Leg Step Top (Includes Gasket For Ash Removal, Magnet & Fasteners)		7033-048	
	Pedestal		PED-3143	
18.4	Pedestal Assembly		7033-013	
18.5	Ash Pan Assembly		7033-010	
	Ash Pan Door Handle		SRV7033-274	
	Outside Air Cover Plate Assembly		SRV7033-041	<b>Y</b>
	Component Pack, Pedestal, Leg Step Top (Includes Gasket For Ash Removal, Magnet & Fasteners)		7033-045	
18.6	Strip, Oak Trim	<b>No longer available</b>	832-0560	

Additional service part numbers appear on following page.



IMPORTANT: THIS IS DATED INFORMATION. Parts must be ordered from a dealer or distributor. **Hearth and Home Technologies does not sell directly to consumers.** Provide model number and serial number when requesting service parts from your dealer or distributor.



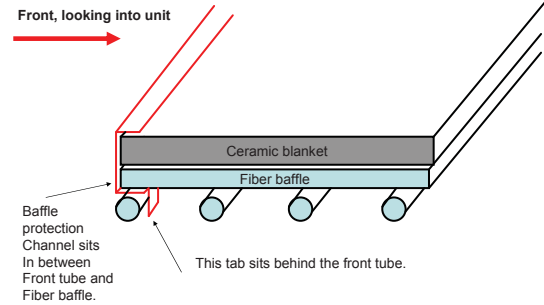
**Stocked at Depot**

ITEM	DESCRIPTION	COMMENTS	PART NUMBER	
19	Door Assembly	Black	DR-31/43BK-FH	
		Nickel	DR-31/43NL-FH	
19.1	Hinge Pins, 1/2"	Qty: 2 Gold	832-0250	
		Qty: 2 Nickel	SRV430-5320	
19.2	Rope, Door, 3/4" x 84" - Field cut to Size	7 Ft Length	832-1680	Y
19.3	Door Glass Assembly - 15-1/2" W x 13-3/8" H		7000-012	Y
	Gasket, Glass Tape - Field cut to Size	5 Ft Length	832-0460	Y
19.4	Glass Frame Set	Qty: 4 Pc	832-0350	
19.5	Door Handle Assembly	Spring	832-0540	
		Fiber	SRV7033-071	
	Spring Handle, 1/2"	Gold	832-0620	Y
		Nickel	250-8330	Y
	Cam Latch		SRV430-1141	
	Key, Cam Latch		SRV430-1151	
	Nut, Locking Door Handle	Pkg of 24	226-0100/24	Y
	Formed Handle, Door		SRV430-1131	
	Trim Ring, For Door (Trim door assembly only)	<b>No longer available</b>	430-2682	
		<b>No longer available</b>	430-5340	
	Component Pack (Spring Handles (1) 1/2" & (2) 1/4", (2) Gold Hinge Pins, Quadra-Fire Logo	Black & Gold Doors	436-5350	
		Nickel Door	436-5360	

Additional service part numbers appear on following page.

## Baffle Protection Channel

### Side view



IMPORTANT: THIS IS DATED INFORMATION. Parts must be ordered from a dealer or distributor. **Hearth and Home Technologies does not sell directly to consumers.** Provide model number and serial number when requesting service parts from your dealer or distributor.



Stocked at Depot

ITEM	DESCRIPTION	COMMENTS	PART NUMBER	
20	Baffle Protection Channel		SRV7033-298	
	Blower, Convection - Replacement Blower		812-4900	Y
	Component Pack		7037-017	
	Blower Assembly		BK-ACC	
	Blower Control Box W/Switch		SRV7000-194	Y
	Channel, Ash Removal		7033-172	
	Component Pack		7033-051	
	Door Handle Assembly		832-0540	Y
	Gasket, Manifold	Pkg of 4	7038-168/4	Y
	Logo, Quadra-Fire, Black	Pkg of 10	7000-694/10	
	Outside Air Collar Assembly		7033-039	
	Outside Air Kit, Floor & Rear		OAK-ACC	
	Outside Air Shield		SRV33271	Y
	Paint Touch-Up		812-0910	
	Snap Disc Bracket Assembly		7033-036	
	Snap Disc, # 1, Convection Blower		SRV230-0470	Y
	Upgrade, Door, Nickel - Nickel Handles, Hinge Pins & Logo		UK-DRNL	
	Wire Harness (Blower)		7033-262	
FASTENERS				
	Avk Rivnut Repair Kit - 1/4-20 & 3/8-16 Rivnut Tools		RIVNUT-REPAIR	Y
	Bolt, Hex Head, 1/4-20 X 1	Pkg of 10	25221A/10	Y
	Button Head 1/4-20 X .5	Pkg of 20	32328/20	Y
	Nut, Keps Lock, 10-32	Pkg of 40	226-0050/40	Y
	Nut, Keps Lock, 8-32	Pkg of 40	226-0060/40	Y
	Nut, Ser Flange Small 1/4-20	Pkg of 24	226-0130/24	Y
	Plug, Trimount, .250"	Pkg of 24	229-0880/24	Y
	Screw, Sheet Metal #8 X 1/2 S-Grip	Pkg of 40	12460/40	Y
	Screw, Flat Head Philips 8-32 x 1/2	Pkg of 10	832-0860	Y
	Washer, Sae, 3/8	Pkg of 3 ea.	832-0990	Y
	Washer, 1/4 Sae	Pkg of 24	28758/24	Y