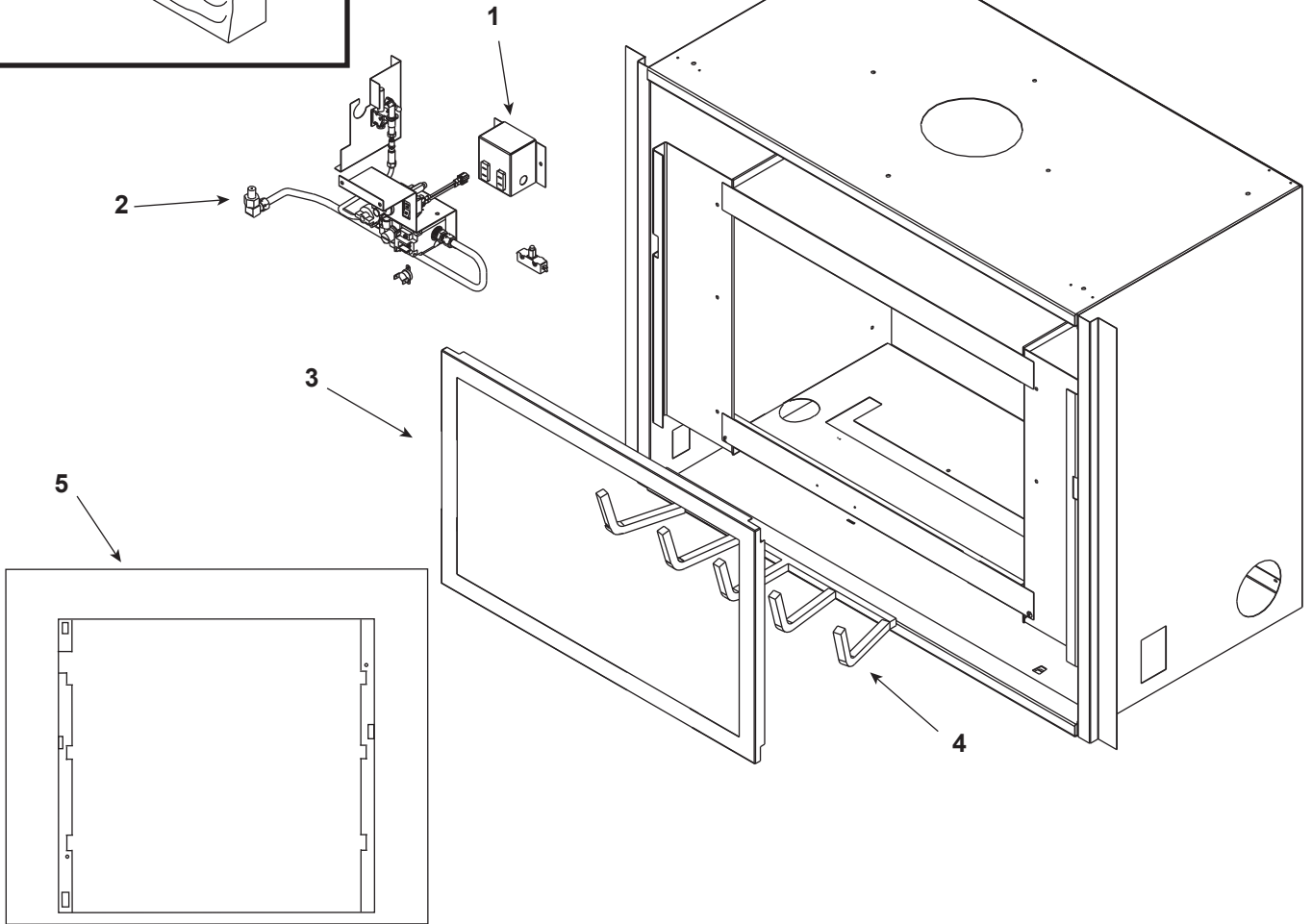
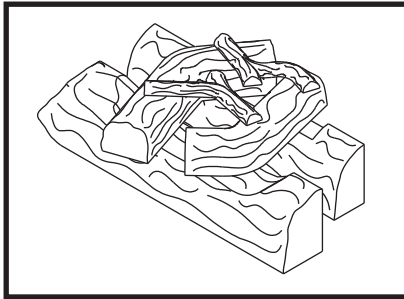


Log Set Assembly



IMPORTANT: THIS IS DATED INFORMATION. Parts must be ordered from a dealer or distributor. **Hearth and Home Technologies does not sell directly to consumers.** Provide model number and serial number when requesting service parts from your dealer or distributor.



Stocked at Depot

ITEM	DESCRIPTION	COMMENTS	PART NUMBER	
	Log Set Assembly	No longer available	LOGS-20	
1	Junction Box		100-250A	Y
2	Burner Orifice NG (#44A)	No longer available	041-800	
	Burner Orifice LP (#55A)	No longer available	041-801	
3	Glass Door Assembly		GLA-4TV	Y
4	Grate Assembly	No longer available	041-183	
5	Surround	No longer available	041-120	

No one builds a better fire

Beginning Manufacturing Date: Feb 1990
Ending Manufacturing Date: Jan 1997

IMPORTANT: THIS IS DATED INFORMATION. Parts must be ordered from a dealer or distributor. **Hearth and Home Technologies does not sell directly to consumers.** Provide model number and serial number when requesting service parts from your dealer or distributor.



**Stocked
at Depot**

ITEM	DESCRIPTION	COMMENTS	PART NUMBER	
	Burner NG	No longer available	041-326A	
	Burner LP	No longer available	041-325A	
	Burner Tube		567-301A	Y
	Decorative Front, Black	No longer available	DF-4000DV-BK	
	Fan Kit		GFK-160A	
	High Temp Limit Switch NG	Pre 8029	SRV4021-383	Y
		Post 8030	092-531	Y
	High Temp Limit Switch LP	Pre 6558	SRV4021-383	Y
		Post 6559	092-531	Y
	Hood	No longer available	046-142	
	Piezo Ignitor		291-513	Y
	Pilot Assembly NG		446-512A	Y
	Pilot Assembly LP		446-513A	Y
	Thermopile		2103-512	Y
	Pilot Tube		SRV446-301	Y
	Remote		SMART-STAT-HHT	
	Touch Up Paint		TUPB-12	
	Valve NG		060-500	Y
	Valve LP		060-501	Y
	Conversion Kit NG	No longer available	NGK-4TV	
	Conversion Kit LP	No longer available	LPK-4TV	
	Pilot Orifice NG		SRV446-505	Y
	Pilot Orifice LP		SRV446-517	Y
	Regulator NG		SRV060-504	Y
	Regulator LP		SRV060-516	Y
HSI IGNITION ONLY				
	Ceramic Ignition	No longer available	060-593	
	Module	No longer available	060-592	
	Transformer	No longer available	060-599	
	Valve, NG/LP (LP conversion option included)	No longer available	060-503	