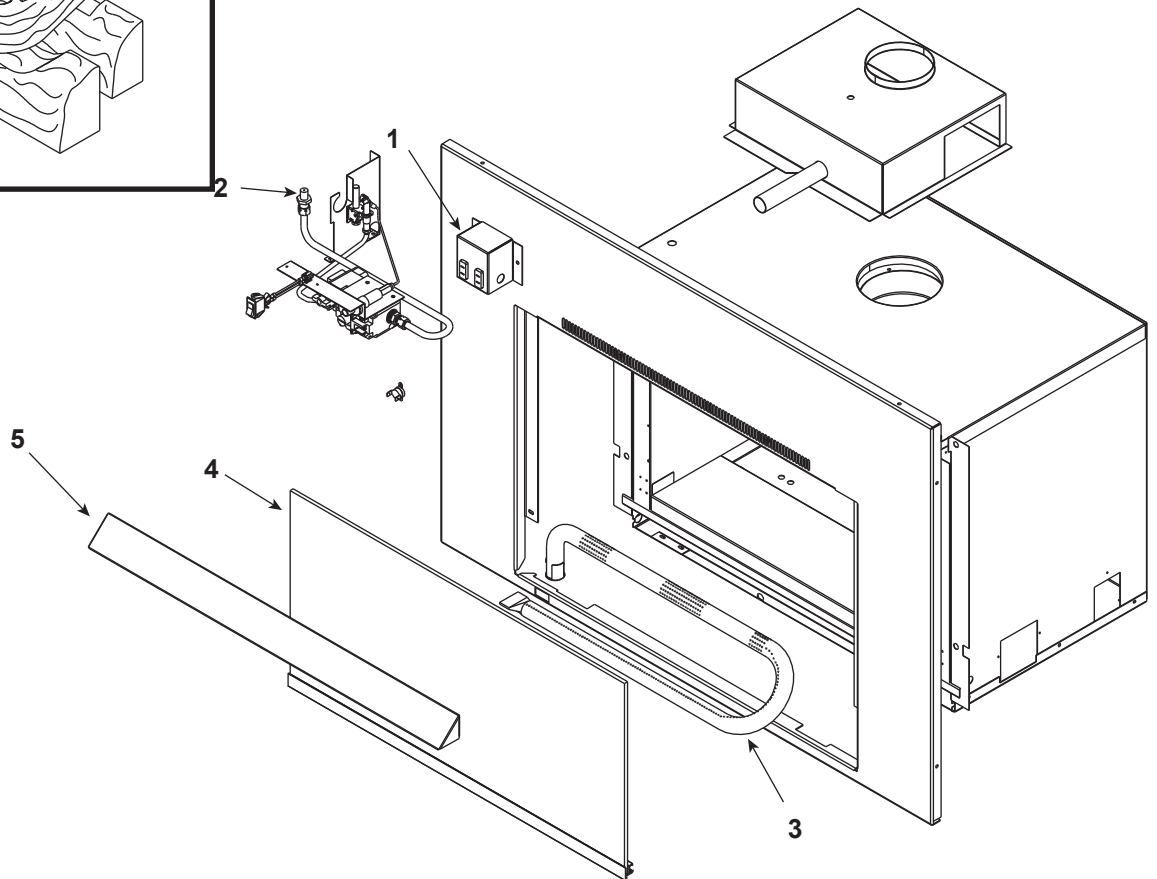
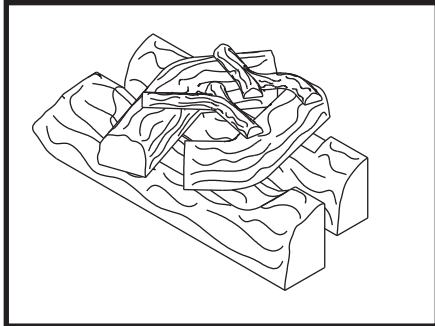


## Log Set Assembly



IMPORTANT: THIS IS DATED INFORMATION. When requesting service or replacement parts for your appliance please provide model number and serial number. All parts listed in this manual may be ordered from an authorized dealer.



**Stocked at Depot**

ITEM	DESCRIPTION	COMMENTS	PART NUMBER	
	Log Set Assembly	No longer available	LOGS-20	
1	Junction Box	No longer available	040-250A	
2	Orifice NG (#43B)	No longer available	040-800	
	Orifice LP(#54B)	No longer available	040-801	
3	Burner NG	No longer available	040-326A	
	Burner LP	No longer available	040-327A	
4	Glass Door Assembly	No longer available	GLA-INC	
5	Hood	No longer available	046-142	

No one builds a better fire

Beginning Manufacturing Date: Feb 1991  
Ending Manufacturing Date: July 1994

IMPORTANT: THIS IS DATED INFORMATION. When requesting service or replacement parts for your appliance please provide model number and serial number. All parts listed in this manual may be ordered from an authorized dealer.



**Stocked at Depot**

ITEM	DESCRIPTION	COMMENTS	PART NUMBER	Stocked at Depot
	Blower		GFK-160A	
	Decorative Front	No longer available	DF-4000DV-BK	
	Ember Mesh	No longer available	052-105	
	Ember Reflector	No longer available	040-168	
	Gas Tube		477-301A	Y
	Piezo Ignitor		291-513	Y
	Pilot Bracket	No longer available	040-163	
	Rheostat		SRV100-510A	Y
	Rheostat Knob		SRV100-512	Y
	Pilot Assembly NG		446-512A	Y
	Pilot Assembly LP		446-513A	Y
	Thermopile		2103-512	Y
	Pilot Tube		SRV446-301	Y
	Remote		SMART-STAT-HHT	
	Temp Sensor		046-530	Y
	Touch Up Paint		TUPB-12	
	Valve NG		060-500	Y
	Valve LP		060-501	Y
	Conversion Kit NG	No longer available	NGK-IN	
	Conversion Kit LP	No longer available	LPK-IN	
	Pilot Orifice NG		SRV446-505	Y
	Pilot Orifice LP		SRV446-517	Y
	Regulator NG		SRV060-504	Y
	Regulator LP	No longer available	060-517	