

IMPORTANT: THIS IS DATED INFORMATION. Parts must be ordered from a dealer or distributor. **Hearth and Home Technologies does not sell directly to consumers.** Provide model number and serial number when requesting service parts from your dealer or distributor.

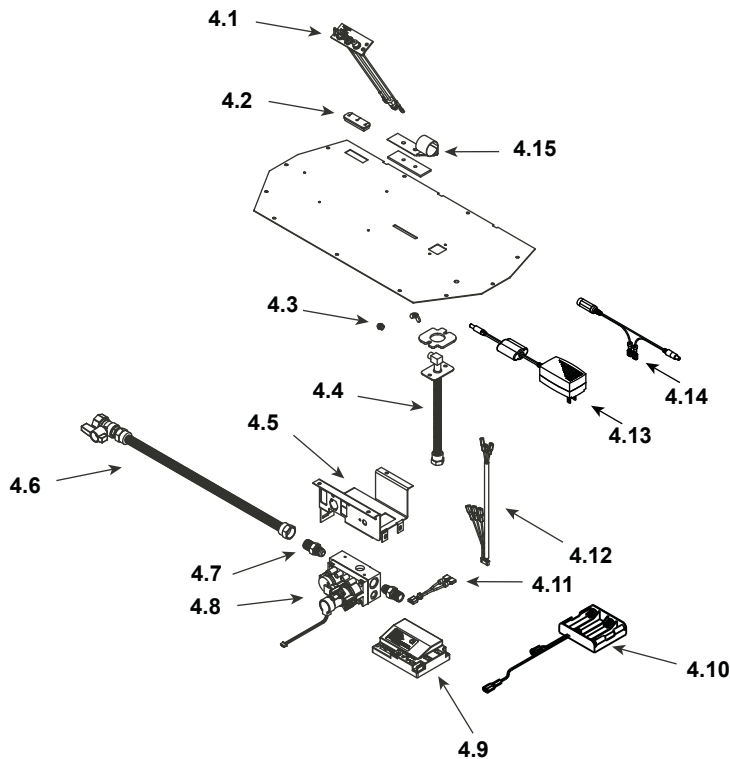
ITEM	DESCRIPTION	COMMENTS	PART NUMBER
1	Power Cord Assembly		2166-374
2	Burner Assembly		2033-050
3	Base Pan		2033-305
4	Valve Assembly		Refer to valve page
5	Glass Assembly		GLA-3504TRS
6	Hood		SRV540-174
7	Door		2033-020
8	Lower Door		2033-042
9	Rocker Switch		2206-299
10	Lower Door Stop	Qty 2 req	2033-125
11	Wire Assembly		2201-030
12	Blower 240 Volt Assembly , Optional		GFK-240V

No one builds a better fire

Beginning Manufacturing Date: July 2013

Ending Manufacturing Date: Dec 2017

#4 Valve Assembly



IMPORTANT: THIS IS DATED INFORMATION. Parts must be ordered from a dealer or distributor. **Hearth and Home Technologies does not sell directly to consumers.** Provide model number and serial number when requesting service parts from your dealer or distributor.

ITEM	DESCRIPTION	COMMENTS	PART NUMBER
4.1	Pilot Assembly N		2090-022
	Pilot Assembly P		2090-033
4.2	3 Hole Grommet		2118-420
4.3	Orifice N (#44C)		582-844
	Orifice P (#55C)		582-855
4.4	Bulk Head W/Flex		7000-156
4.5	Valve Bracket		2118-104
4.6	18 in Flex Tube Assembly		2098-320A
4.7	Male Connector	Pkg of 5	303-315/5
4.8	Valve N		2166-302
	Valve P		2166-303
4.9	Module, Gray		2166-306
4.10	Battery Pack**		2166-323
4.11	Jumper wire		2187-198
4.12	Wire Harness		2166-304
4.13	Tranformer, 6 Volt Wall		2326-131
4.14	Jumper Wire, Wall Switch		2179-300
4.15	Shutter Bracket Assembly		2118-121

**Fuse for battery pack can be sourced locally, not a warranty item.

Additional service parts appear on following page.

