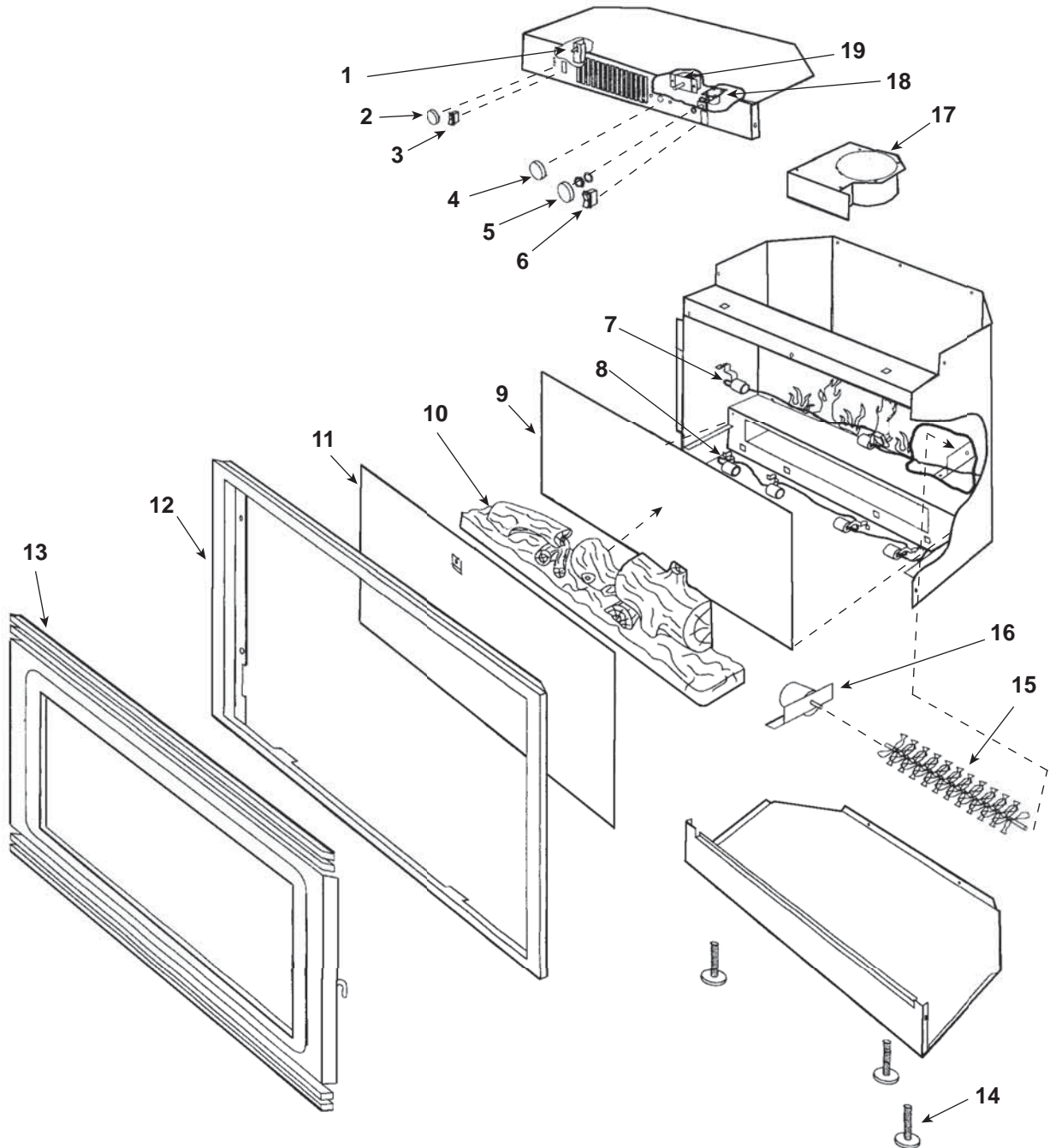


For replacement parts, please contact Dimplex at
1-800-668-6663 (Customer Service) or
1-888-346-7539 (Tech support)



Part number list on following page.



No one builds a better fire

Beginning Manufacturing Date: April 1998
Ending Manufacturing Date: Nov 2003

IMPORTANT: THIS IS DATED INFORMATION. When requesting service or replacement parts for your appliance please provide model number and serial number. All parts listed in this manual may be ordered from an authorized dealer.

ITEM	DESCRIPTION	COMMENTS*	PART NUMBER
1	Thermostat		2300150100RP
2	Thermostat Knob		8800000300RP
3	Heater ON/OFF Switch		2800070200RP
4	Light Dimmer Knob		8800000100RP
5	Flame Speed Knob		8800000200RP
6	Power ON/OFF Switch	None & Mod A	2800070200RP
		Mod. B	2800070100RP
7	Upper Light Harness		2500080100RP
8	Lower Light Harness		2500090100RP
9	Mirror		6900100700RP
10	Log Set		0437880200RP
11	Glass		6900100800RP
12	Surround		6900310159RP
13	Decorative Door		6900300159RP
14	Leveler		8800100100RP
15	Reflector Rotisserie		6900190400RP
16	D.C. Motor	None	6900140100RP
		Mod. A & B	2000150100RP
17	Heater Assembly		2200290400RP
18	Flame Speed Control		3000180300RP
19	Light Dimmer		2800020100RP
	Power Cord		4100040200RP
	Remote	No longer available	RC-ELEC-HNG

* When ordering replacement parts for your electric stove it is important to verify the "Mod" of the stove (e.g. None, Mod "A" or Mod "B") to ensure you receive the correct parts.

Note: Replacement bulbs to be supplied by homeowner. These light bulbs can be ordered by going to the website www.lite-house.com, or by calling 1-800-838-0977.