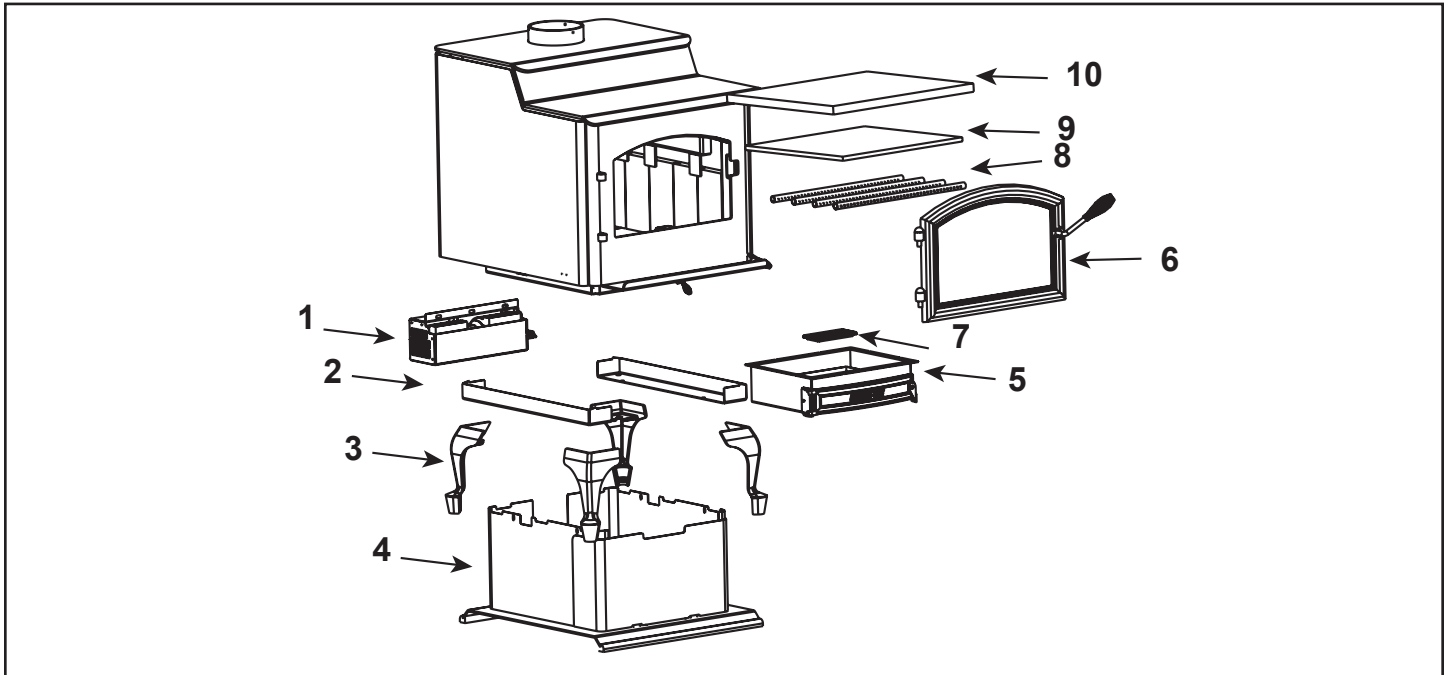


Wood Stove  
Last SN #0071116556

Beginning Manufacturing Date: Mar 2001  
Ending Manufacturing Date: Sept 2006

820-0640, 820-0641, 820-0660, 820-0670, 820-0690, 820-0961, 31M-GT, 31M-NT



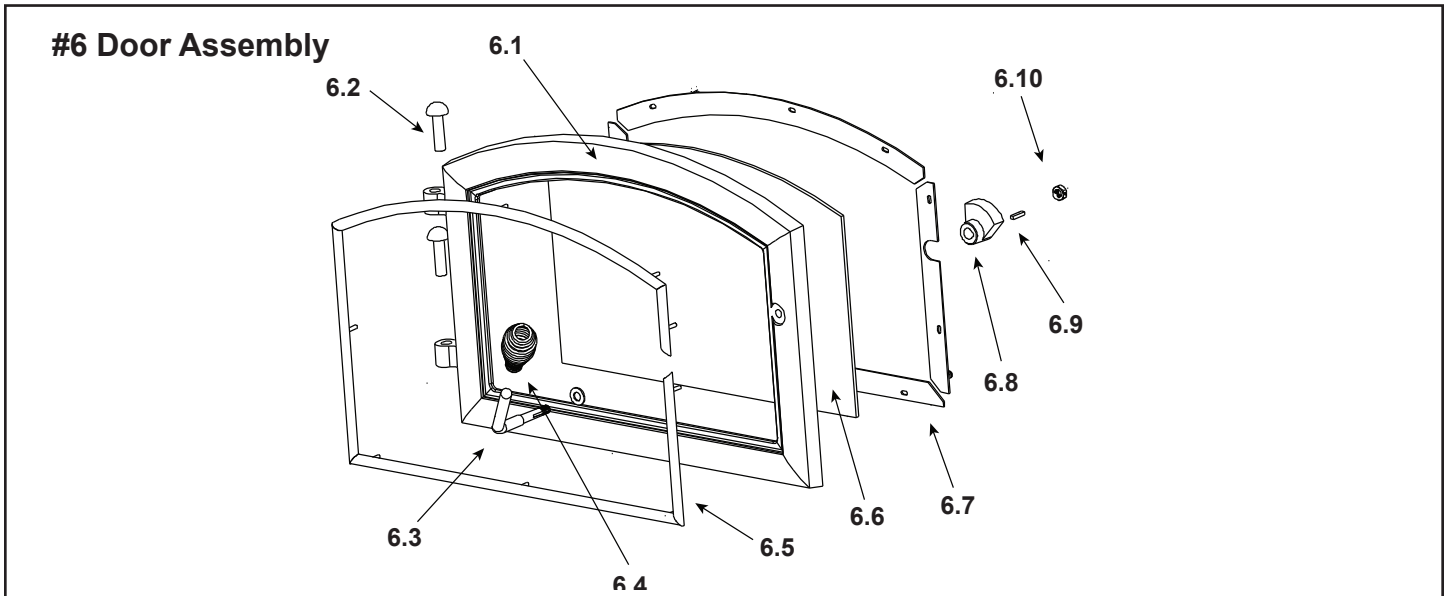
IMPORTANT: THIS IS DATED INFORMATION. Parts must be ordered from a dealer or distributor. **Hearth and Home Technologies does not sell directly to consumers.** Provide model number and serial number when requesting service parts from your dealer or distributor.



Stocked  
at Depot

ITEM	DESCRIPTION	COMMENTS	PART NUMBER	
1	Blowers:			
	160 CFM F/S Blower Assembly	No longer available	831-1701	
	160 CFM F/S Blower Motor Only		812-4900	Y
2	Leg Adapter	No longer available	436-0340	
3	Legs, Cast	No longer available	831-1250	
		Black	831-1240	
4	Pedestal	No longer available	831-1860	
5	Ash Removal system, (Not available for Millennuim Models)	No longer available	831-1671	
6	ARS Grate	No longer available	832-2980	
7	Complete Door Assemblies	See following page		
8	Manifold Tube		831-1810	Y
9	Baffle	Fiberboard	831-1800	Y
10	Blanket, Kaowool	Kaowool	832-3401	Y
	Component Pack	No longer available	832-2670	
	Blowers Motor Cords:			
	3100 F/S Blower Motor Cord w/ Speed Control		821-0110	Y
	Manifold Clips/ Screw		832-0661	Y
	Reliner Kit		SRV436-5400	
	Logo, Quadra-Fire	Pkg of 10	7000-649/10	
	Touch Up Paint		812-0910	
	Outside Air Kit	No longer available	831-1780	

Beginning Manufacturing Date: Mar 2001  
Ending Manufacturing Date: Sept 2006



**IMPORTANT: THIS IS DATED INFORMATION.** Parts must be ordered from a dealer or distributor. **Hearth and Home Technologies does not sell directly to consumers.** Provide model number and serial number when requesting service parts from your dealer or distributor.



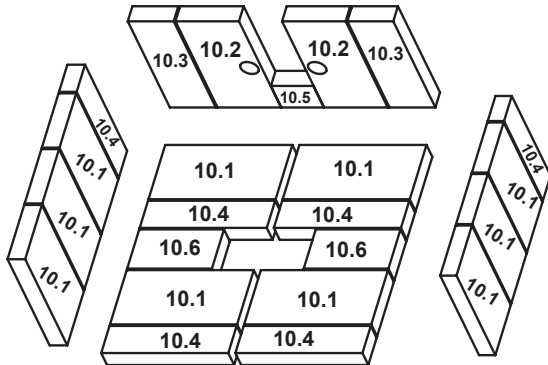
**Stocked  
at Depot**

ITEM	DESCRIPTION	COMMENTS	PART NUMBER	
6.1	Door Assembly	No longer available	832-1092	
		No longer available	832-1912	
		No longer available	DR-31/43NL	
6.2	Hinge Pins, 1/2"	Gold (Pkg of 2)	832-0250	
		Nickel (Qty 2 req)	SRV430-5320	
		Black (Pkg of 2)	7000-606/2	
6.3	Door Handle Only		SRV430-1131	
6.4	Spring Handle, Door 1/2"	Gold	832-0620	Y
		Nickel	250-8330	Y
		Black	SRV7000-613	Y
6.5	Trim, Ring, Door	No longer available	430-2682	
		No longer available	430-5340	
6.6	Door Glass Assembly - 15-1/2 in. W x 13-3/8 in H		SRV7000-012	Y
6.7	Glass Frame Set	4 Pieces	832-0350	
6.8	Cam Latch		SRV430-1141	
6.9	Key, Cam Latch		SRV430-1151	
6.10	Nut, Locking Door Handle	Pkg of 24	226-0100/24	Y
	Component Pack (Includes Spring Handles (1) 1/2" & (2) 1/4", (2) Hinge Pins, Quadra-Fire Logo)	Gold Trim Doors	SRV436-5350	
		Nickel Trim Doors	436-5360	
	Gasket, Glass Tape - Field Cut to Size	5 Ft	832-0460	Y
	Rope, Door, 3/4" X 84" - Field Cut to Size	7 Ft	832-1680	Y
	Screw, Flat Head Philips 8-32 X 1/2	Pkg of 10	832-0860	Y
	Washer, Sae, 3/8	Pkg of 3	832-0990	Y

Additional service part numbers appear on following page.

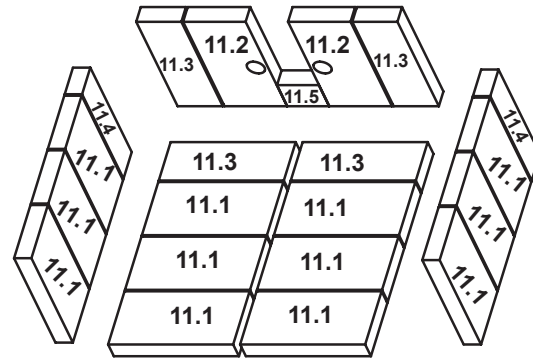
**#10 Brick Set 831-1820**

The Step-Top Model accepts the Ash Removal System, and the brick pattern incorporates the ash grate.



**#11 Brick Set 831-1830**

The Millennium Model does not accept the Ash Removal System.



IMPORTANT: THIS IS DATED INFORMATION. Parts must be ordered from a dealer or distributor. **Hearth and Home Technologies does not sell directly to consumers.** Provide model number and serial number when requesting service parts from your dealer or distributor.



**Stocked at Depot**

ITEM	DESCRIPTION	COMMENTS	PART NUMBER
10	Brick Set	<b>No longer available</b>	831-1820
10.1	Brick 9 x 4.5 x 1.25"	Qty 10 req	
10.2	Brick w/ Hole, 9 x 4.5 x 1.25"	Pkg of 2	SRV436-0380
10.3	Brick 3, 9 x 3.25 x 1.25	Qty 2 req	
10.4	Brick 4, 9 x 2.25 x 1.25"	Qty 6 req	
10.5	Brick 5, 3 x 2.25 x 1.25"	Qty 1 req	
10.6	Brick 6, 6 x 3.25 x 1.25"	Qty 2 req	
11	Brick Set	Millenium	831-1830
11.1	Brick 9 x 4.5 x 1.25"	Qty 12 req	
11.2	Brick w/ Hole	Pkg of 2	SRV436-0380
11.3	Brick 3, 9 x 3.25 x 1.25	Qty 4 req	
11.4	Brick 4, 9 x 2.25 x 1.25"	Qty 2 req	
11.5	Brick 5, 2.75 x 2.25 x 1.25"	Qty 1 req	
	Brick, Single, Uncut		832-0550
	Brick, Uncut, Set of 6		832-3040