

Part number list on following pages.

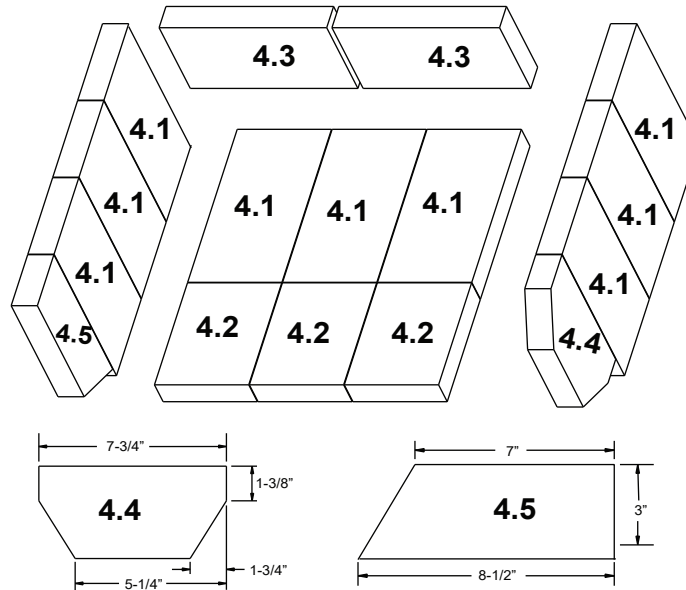
IMPORTANT: THIS IS DATED INFORMATION. When requesting service or replacement parts for your appliance please provide model number and serial number. All parts listed in this manual may be ordered from an authorized dealer.



Stocked at Depot

| ITEM | DESCRIPTION | COMMENTS | PART NUMBER | |
|------|---|----------|-------------|---|
| 1 | Convection Air Channel - Retain Original Serial Number | | SRV7039-107 | |
| 2 | Flue Collar | | SRV7000-302 | Y |
| 3 | Panel Assembly, Side, Left | | SRV7039-003 | |

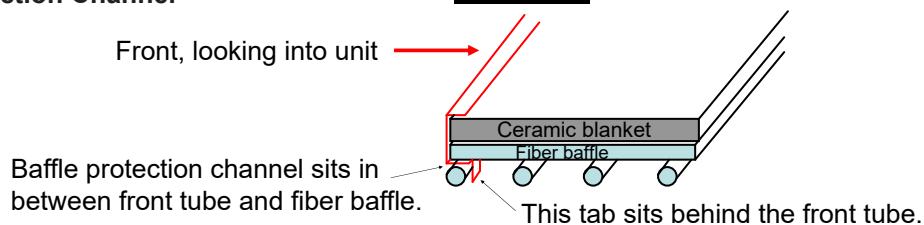
#4 Brick Assembly



| | | | | |
|-----|--------------------------------------|-------------|-------------|---|
| 4 | Brick Assembly - Complete Set | | SRV7039-007 | |
| 4.1 | Brick, 9 x 4-1/2 x 1-1/4" | Qty. 9 Req. | 832-0550 | |
| | | Pkg of 6 | 832-3040 | |
| 4.2 | Brick, 5-3/4 x 4-1/2 x 1-1/4" | Qty. 3 Req. | SRV7128-039 | |
| 4.3 | Brick, 8 x 4-1/2 x 1-1/4" | Qty. 2 Req. | SRV7128-022 | |
| 4.4 | Brick, see diagram | Qty. 1 Req. | SRV7128-619 | |
| 4.5 | Brick, see diagram | Qty. 1 Req. | SRV7128-807 | |
| 5 | Tube Support Rack | | SRV7039-108 | |
| 6 | Brick Retainer | | 7033-149 | |
| 7 | Ceramic Fiber Blanket, 1/2" Thick | | 832-3390 | Y |
| 8 | Baffle Board, 8-1/8 in. W x 13 in. H | Pkg of 2 | SRV7039-111 | Y |

#9 Baffle Protection Channel

Side view



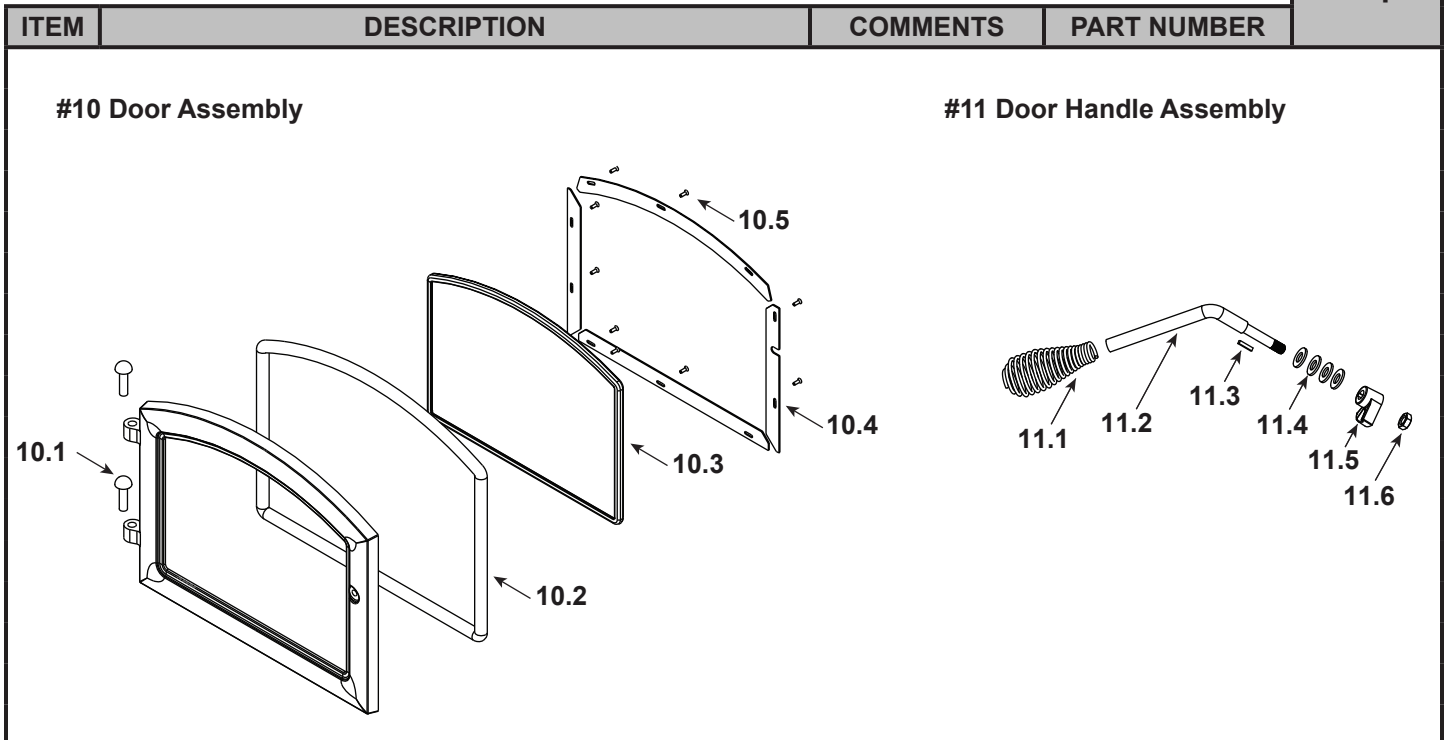
| | | | | |
|---|---------------------------|--|-------------|---|
| 9 | Baffle Protection Channel | | SRV7039-144 | Y |
|---|---------------------------|--|-------------|---|

Additional service part numbers appear on following page.

IMPORTANT: THIS IS DATED INFORMATION. When requesting service or replacement parts for your appliance please provide model number and serial number. All parts listed in this manual may be ordered from an authorized dealer.



**Stocked
at Depot**



| | | | | |
|------|---|-------------|-------------|---|
| | Door Assembly | Black | SRV7039-008 | |
| 10.1 | Hinge Pins, 1/2" | Black | 7000-606/2 | |
| 10.2 | Rope, Door, 3/4" x 84" - Field cut to Size | 7 Ft Length | 832-1680 | Y |
| 10.3 | Glass Assembly - 14-1/8 in. W x 9-13/16 in. H | | SRV7000-013 | Y |
| | Gasket, Glass Tape - Field cut to Size | 5 Ft Length | 832-0460 | Y |
| 10.4 | Frame, Glass | | GL-FRM-21M | |
| 10.5 | Screw, Flat Head Philips 8-32 x 1/2 | Pkg of 12 | 220-0490/12 | Y |
| 11 | Door Handle Assembly | | 832-0540 | |
| 11.1 | Spring Handle, 1/2", Black | | SRV7000-613 | Y |
| 11.2 | Door Handle Only | | SRV430-1131 | |
| 11.3 | Key, Cam Latch | | SRV430-1151 | |
| 11.4 | Washer, SAE, 3/8 | Pkg of 3 | 832-0990 | Y |
| 11.5 | Cam Latch | | SRV430-1141 | |
| 11.6 | Nut, Locking Door Handle | Pkg of 24 | 226-0100/24 | Y |
| 12 | Pedestal Base | | 7033-163 | |
| 13 | Pedestal Riser | | 7033-207 | |
| | Outside Air Cover Plate Assembly | | SRV7033-041 | |
| | Logo, Quadra-Fire | Pkg of 10 | 7000-649/10 | |
| | Plug, Trimount, .250" | Pkg of 10 | 229-0880/24 | |

Additional service part numbers appear on following page.

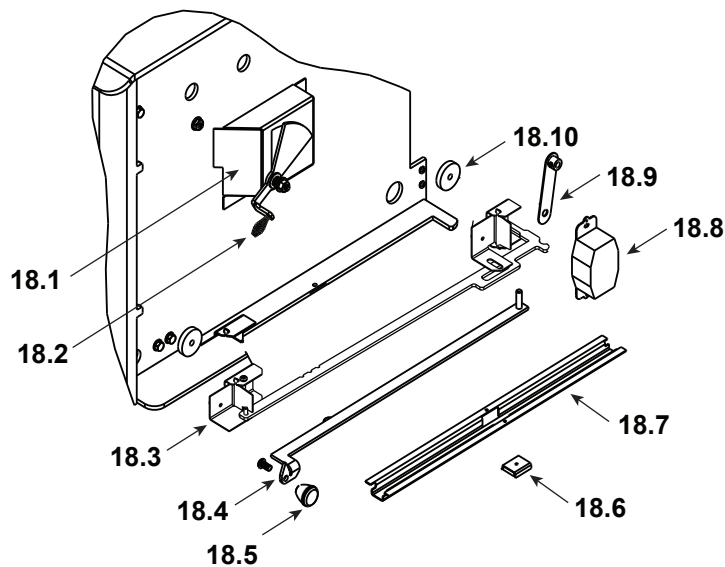
IMPORTANT: THIS IS DATED INFORMATION. When requesting service or replacement parts for your appliance please provide model number and serial number. All parts listed in this manual may be ordered from an authorized dealer.



**Stocked
at Depot**

| ITEM | DESCRIPTION | COMMENTS | PART NUMBER | |
|------|--|----------|-------------|---|
| 14 | Rear Channel Assembly | | SRV7039-001 | |
| 15 | Tube Channel Assembly - Manifold Tubes | | SRV7039-004 | Y |
| 16 | Panel Assembly, Side, Right | | SRV7039-002 | |
| 17 | Tube Channel Top - Access Cover | | SRV7039-114 | |
| | Component Pack | | 7039-011 | |

#18 Burn Rate Control Assembly



| | | | | |
|-------|--|--|-------------|---|
| 18.1 | Burn Rate Control Assembly | | 7039-016 | |
| 18.2 | Spring Handle, 1/4" Black | | SRV7000-614 | Y |
| 18.3 | Timer Air Control Assembly | | SRV7039-015 | Y |
| | Rear Air Door Assembly | | 7037-013 | Y |
| 18.4 | Rear Air Control Arm Assembly | | SRV7039-053 | |
| 18.5 | Start-Up Control Knob | | SRV7000-343 | |
| 18.6 | Latch, Magnet - for Air Control | | SRV229-0631 | |
| 18.7 | Air Control Rod Guide | | 7033-210 | |
| 18.8 | Timer (Only) Replacement Assembly | | SRV480-1940 | Y |
| 18.9 | Timer Arm Assembly | | 7033-034 | Y |
| 18.10 | Door Gasket - Front & Rear Air Timer Doors | | 7033-282 | Y |

Additional service part numbers appear on following page.

IMPORTANT: THIS IS DATED INFORMATION. When requesting service or replacement parts for your appliance please provide model number and serial number. All parts listed in this manual may be ordered from an authorized dealer.



**Stocked
at Depot**

| ITEM | DESCRIPTION | COMMENTS | PART NUMBER | |
|--------------------|---|-----------------|---------------|---|
| | Component Pack (Includes Gold Spring Handles (1) 1/2" & (2) 1/4", (2) Gold Hinge Pins, Quadra-Fire Logo | For Black Doors | 436-5350 | |
| | Paint Touch-Up | | 812-0910 | |
| | Label, Burn Rate Air Control | | SRV7033-160 | |
| | Label, Start-Up Air Control | | SRV7033-166 | |
| | Component Pack, Unit | | SRV7039-057 | |
| | | | | |
| | | | | |
| | | | | |
| ACCESSORIES | | | | |
| | Blower Assembly | | BK-ACC | |
| | Blower Control Box W/Switch | | SRV7000-194 | Y |
| | Blower, Convection | | 812-4900 | Y |
| | Component Pack | | 7033-051 | |
| | Snap Disc Bracket Assembly | | SRV7033-036 | |
| | Snap Disc, # 1, Convection Blower | | SRV230-0470 | Y |
| | Wire Harness (Blower) | | 7033-262 | |
| | Gasket, Manifold | Pkg of 4 | 7038-168/4 | Y |
| | Outside Air Kit, Floor & Rear | | OAK-ACC | |
| | Outside Air Collar Assembly | | 7033-039 | |
| | Outside Air Shield | | SRV33271 | Y |
| | Upgrade, Door, Nickel - Handles, Hinge Pins & Logo | | UK-DRNL | |
| | Hinge Pins, 1/2" | | SRV430-5320 | |
| | Logo, Quadra-Fire | Pkg of 10 | 7000-649/10 | |
| | Spring Handle, 1/2" | | 250-8330 | Y |
| | Spring Handle, 1/4" | | 250-8340 | Y |
| | | | | |
| | | | | |
| | | | | |
| | | | | |
| FASTENERS | | | | |
| | AVK Rivnut Repair Kit - 1/4-20 & 3/8-16 Rivnut Tools | | RIVNUT-REPAIR | Y |
| | Bolt, Hex Head, 1/4-20 X 1 | Pkg of 10 | 25221A/10 | Y |
| | Nut, Ser Flange Small 1/4-20 | Pkg of 24 | 226-0130/24 | Y |
| | Screw, Flat Head Philips 8-32 X 1/2 | Pkg of 10 | 832-0860 | Y |
| | Screw, Sheet Metal #8 X 1/2 S-Grip | Pkg of 40 | 12460/40 | Y |
| | Washer, 1/4 SAE | Pkg of 24 | 28758/24 | Y |
| | Washer, SAE, 3/8 | Pkg of 3 | 832-0990 | Y |