

# Log Set Assembly: LOGS-SL3X, LOGS-SL5X, LOGS-SL7X, LOGS-SL9X

# LOG PLACEMENT INSTRUCTIONS

Models: SL-3X, SL-5X, SL-7X, SL-9X, SL-3X-IFT, SL-5X-IFT, SL-7X-IFT, SL-9X-IFT  
SL-3X/5X/7X/9X-IFT (-G, -TG, -S)

## Install Logs

**CAUTION:** Logs are fragile, handle with care.

**NOTICE:** Paint Touch Up Kit (2372-099) may be ordered from your dealer to repair chips and scratches if necessary.

## Overview

These are common log instructions for the SL-3X, SL-5X, SL-7X, and SL-9X models. All four models use the same number of components, which are scaled up or down in size, depending on the model of fireplace installed. Each size log set consists of five logs.

\*The photos shown in these instructions depict an SL-7X.

## Log Pins

The overall size and placement of the burner assembly within the firebox is very similar between all sizes. However, each burner top has different burner ports and log pin configurations. See Figure 1 for log pin locations.

The log pins, along with the indentations in the hearth components, will aid in correctly positioning the two rear logs and small burner log. The indentations are shown in Figure 4.

**Note:** SL-3X models do not utilize hearth indentations.

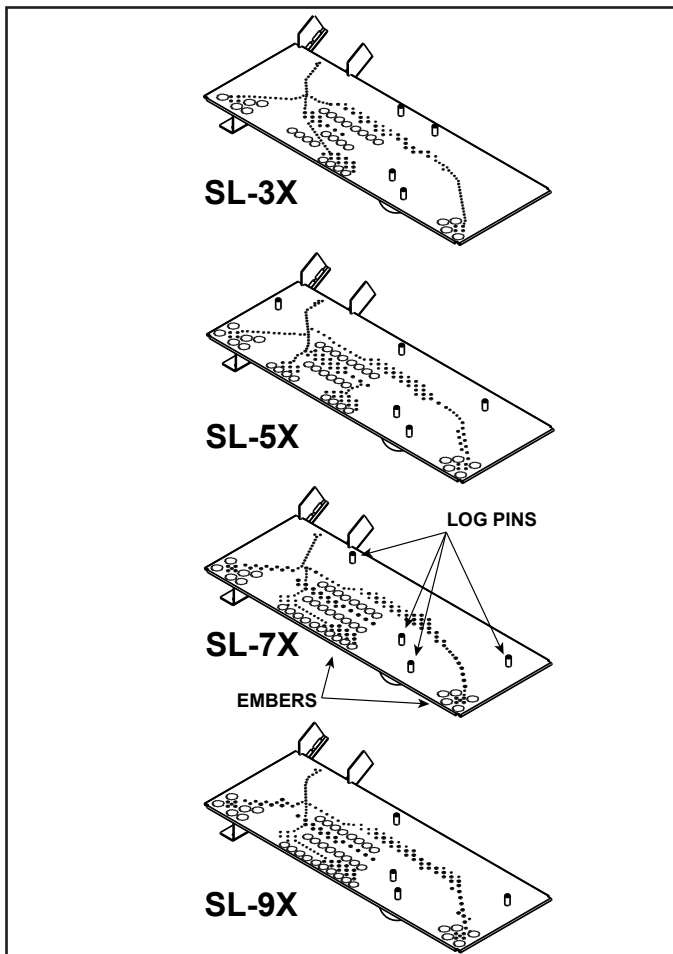


Figure 1. Log Pin and Glowing Ember Locations

## Log Placement Tips

- The rear left log, rear right log and small burner log utilize holes in the bottom side of the logs that correspond to the log pins on the burner. Reference Figure 1 and Figure 2.

Additionally, the rear left log and rear right log are located by indentations in the right and left hearth components. See Figure 4.

**Note:** SL-3X models do not utilize hearth indentations.

- Top left and top right logs, which lay across the rear left and rear right logs, utilize the “indentations” in the rear left and rear right logs for proper placement.

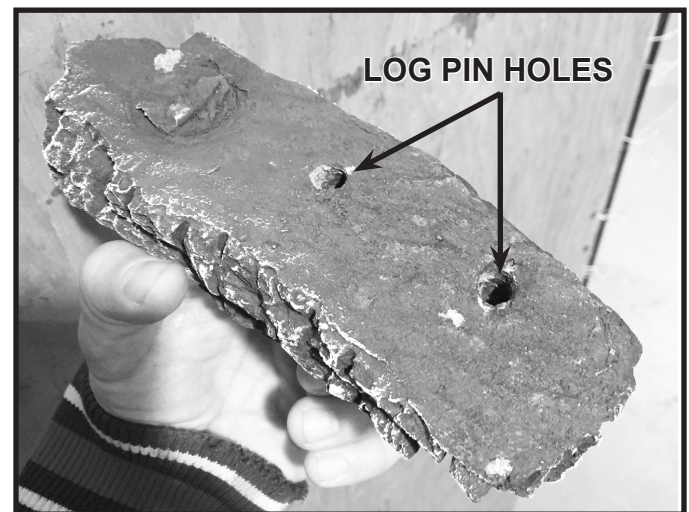


Figure 2. Example of Log Pin Holes

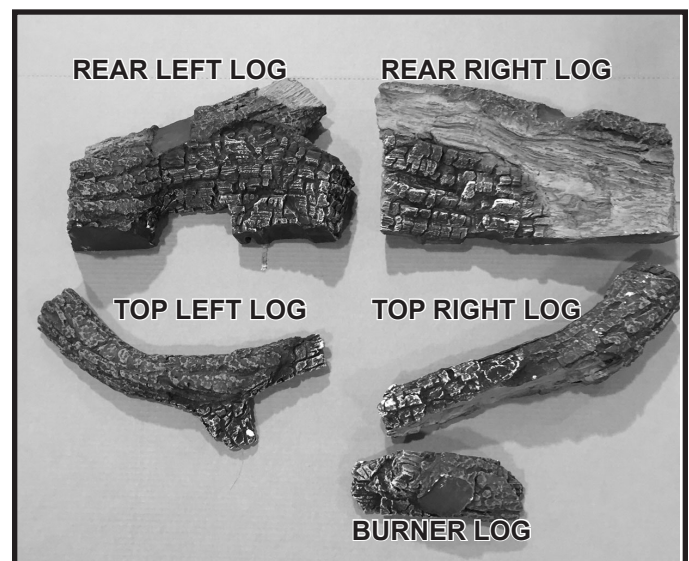


Figure 3. Log Set Components

## Install Rear Logs

1. Remove large rear left log from the packaging and install the log by locating it on the back left log pin(s). The left side of the log will reside within the indentation in the left hearth component. See Figure 4.

**Note:** SL-3X models do not utilize hearth indentations. See Figure 4.

**SL-7X and SL-9X Models:** The rear left log will be positioned to maintain about a 1/4 inch rear gap between the rear left log and the back wall refractory. There will be about a 1 inch side gap between the left end of the log and left panel. See Figure 4.

**SL-5X Models:** Locate the small notch on the back left log pin and rotate the log back onto the back center log pin. The rear left log will be positioned to maintain about a 1/4 inch rear gap between the rear left log and the back wall refractory. There will be about a 1 inch side gap between the left end of the log and the left panel.

**SL-3X Models:** The rear left log will be positioned to maintain about a 1/4 inch rear gap between the rear left log and the back wall refractory. The rear left log will contact the left refractory panel (no side gap). See Figure 4.

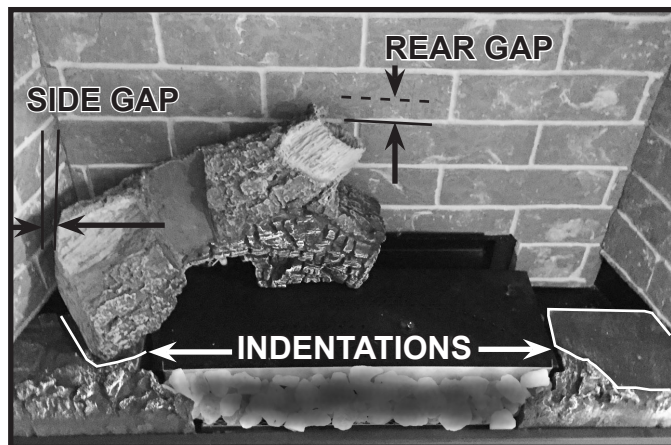


Figure 4. Rear Left Log Installed

2. Remove the large rear right log from packaging and install it by locating it on the back right log pin. On some models, it may be necessary to lift the rear left log slightly to install the rear right log. The right side of the log will reside within the indentation in the right hearth component. See Figure 5.

**Note:** SL-3X models do not utilize hearth indentations.

**SL-7X and SL-9X Models:** The rear right log will be positioned to contact the back wall refractory (no rear gap). There will be about a 3/4 inch side gap between the right end of the log and the right refractory panel. See Figure 5.

**SL-3X Models:** The rear right log will be positioned to maintain about a 1 inch rear gap between the rear right log and the back wall refractory. The rear right log will contact the right refractory panel (no side gap). See Figure 5. Slide the rear left log rightward as close to the rear right log as the locating pin will allow. There should be no more than a 1/4 inch gap between the rear logs.

**SL-5X Models:** The rear right log will be positioned to maintain about a 1/4 inch rear gap between the rear right log and the back wall refractory. The rear right log will contact the right refractory panel (no side gap). See Figure 5.



Figure 5. Rear Right Log Installed

## Install Glowing Embers

3. Remove the Glowing Embers from packaging and install the ember material as shown in Figure 1. Care should be taken to avoid placing ember material directly over ports and to avoid using excessive amounts of ember material.

**WARNING! Risk of Explosion!** Follow ember placement instructions. **DO NOT** place embers directly over burner ports. Replace ember material annually. Improperly placed embers interfere with proper burner operation.

- Embers CANNOT be placed directly over ports. Care should be taken not to cover the lighting trail of ports (from back to front).
- When placing Glowing Embers onto the burner care should be taken so that the ports are not covered. Place the dime-size ember pieces near the port holes in the burner top. Failure to follow this procedure will likely cause lighting and sooting problems.

## Install Front Logs

- Remove small burner log from packaging. This log has two holes on the bottom. These holes correspond to two log pins located on the burner top. Place the small burner log on the two log pins. See Figure 6. When properly placed, this log will rest on both the burner and ember tray/Teco-Sil.



Figure 6. Burner Log Installed

- Remove top left log from packaging. Place the log into the indentation on the rear left log. The right tip of the log will rest on the ember tray and the Teco-Sil rock. See Figure 7 and Figure 8.

**SL-9X Models Only:** Additional features were added to the left indentation in the left rear log and the bottom end of the top left log to best locate log.



Figure 7. Location of Left Log indentation



Figure 8. Location of Right Log Indentation

- Remove top right log from packaging. There are indentations located in the right rear log and small burner log to locate the log. Place log into indentations as shown in Figure 8 and Figure 9.

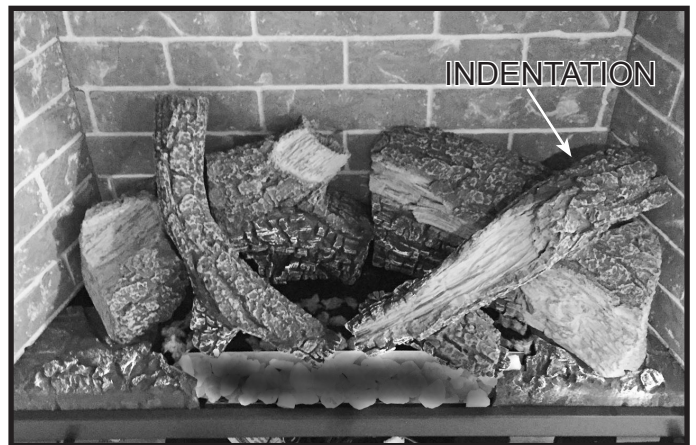


Figure 9. Top Right Log Installed - Log Set Complete