

**Models:**

**SRV4660-050 Propane to Natural Gas Conversion**

**SRV4660-051 Natural Gas to Propane Conversion**



Conversion Kit	Used on Duzy Model
SRV4660-050	RB-18-24PI
	RB-30PI
SRV4660-051	RB-18-24NI
	RB-30NI

**INSTALLER:**

Leave this manual with party responsible for use and operation.

**OWNER:**

Retain this manual for future reference.

**⚠ DANGER! FIRE OR EXPLOSION HAZARD**

If you smell gas:

- Shut off gas to the appliance.
- Extinguish any open flame.
- If odor continues, leave the area immediately.
- After leaving the area, call your gas supplier or fire department.
- Failure to follow these instructions could result in fire or explosion, which could cause property damage, personal injury, or death.

**⚠ WARNING!** This conversion kit shall be installed by a qualified service agency in accordance with the manufacturer’s instructions and all applicable codes and requirements of the Authority Having Jurisdiction. If the information in these instructions is not followed exactly, a fire, explosion, or production of carbon monoxide may result causing property damage, personal injury, or loss of life. The qualified service agency is responsible for the proper installation of this kit. The installation is not proper and complete until the operation of the converted appliance is checked as specified in the manufacturer’s instructions supplied with the kit.

## Before You Start

This conversion shall be installed by a qualified service agency.

Any damaged valve components should not be installed. If a valve or regulator has been dropped or appears to have been modified, the valve or regulator should not be installed.

### Kit Contents:

Gas Valve Regulator.....	Qty. (1)
Pilot Orifice .....	Qty. (1)
Conversion Plate .....	Qty. (1)
Gas Type Label .....	Qty. (1)
Burner Orifice .....	Qty. (1)

Installation and service of this appliance should be performed by qualified personnel. Hearth & Home Technologies recommends HHT Factory Trained or NFI certified professionals.



## Accessing Gas Control Valve

**NOTE:** Gas components are mounted on the Control Plate, located to the rear of the gas log set.

1. Turn off gas supply and allow the unit to cool.
2. Disconnect power at circuit breaker.
3. Carefully remove logs and grate, set aside.
4. Vacuum media from firebox bottom (if necessary).

## Converting Gas Control Valve

1. Locate the gas valve.
2. Using a #20 tamper-proof Torx screwdriver, remove the regulator and rubber gasket on face of valve. See Figure 1. Discard both the regulator and rubber gasket.
3. Install the new regulator along with the new rubber gasket included in the conversion kit.

	<b>WARNING</b>	
	<p>Fire Risk Explosion Risk Gas Leak Risk</p> <ul style="list-style-type: none"> <li>• Rubber gasket must be seated properly on valve face.</li> <li>• Do not install a valve or regulator that has been dropped.</li> </ul>	

4. Place the gas type label on the appliance adjacent to rating plate. Ensure the gas type label is appropriate for the type of gas to which you are converting the appliance.

**Note:** The qualified service agency installing this conversion must enter the day, month, and year, and sign the conversion plate added to this appliance.

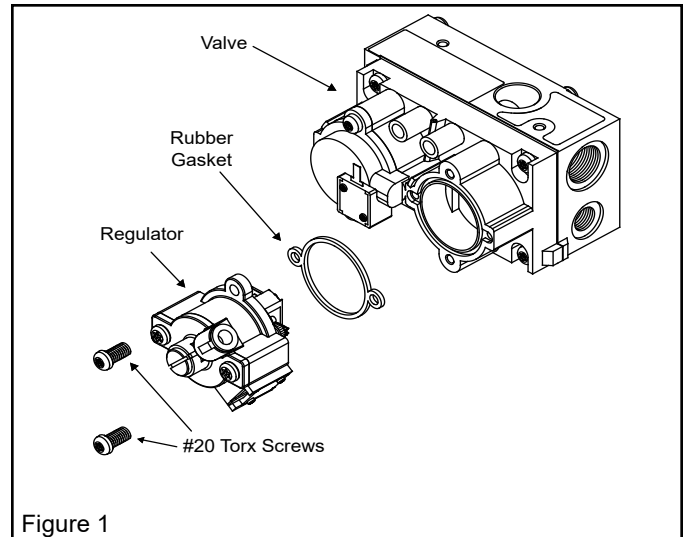


Figure 1

## Converting Main Burner & Pilot Orifice

1. Carefully stand the Burner Assembly to gain access to the burner bottom.
2. Disconnect Flex Line from Main Burner Orifice. See Figure 2.
3. Remove existing Main Burner Orifice from Air Shutter and discard. See Figure 2.
4. Replace the Main Burner Orifice with the appropriate orifice (supplied) for the type of conversion being performed. See Table 1.

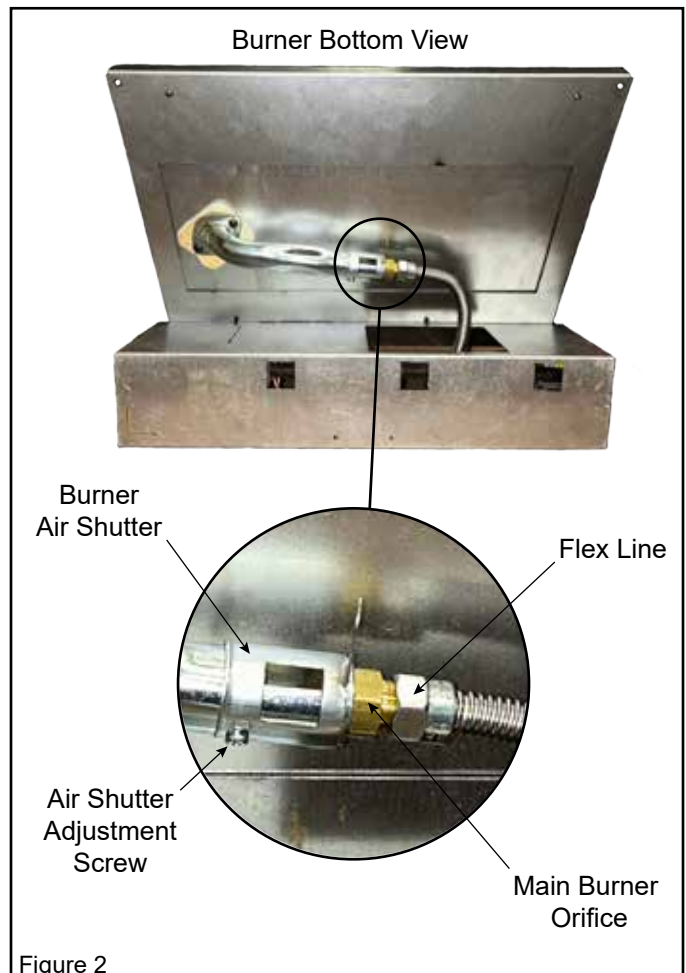


Figure 2

5. Adjust the air shutter by loosening the screw securing air shutter. Rotate shutter to the appropriate settings for the type of conversion being performed and re-tighten screw.
6. Carefully set Burner Assembly flat.
7. Locate the Pilot Assembly and loosen the pilot tube fitting.
8. Remove the existing pilot orifice and replace it with the pilot orifice included in the kit. Ensure the pilot orifice is appropriate for the type of gas to which you are converting the appliance. See Figure 3.

Note: Appearance of pilot may vary.

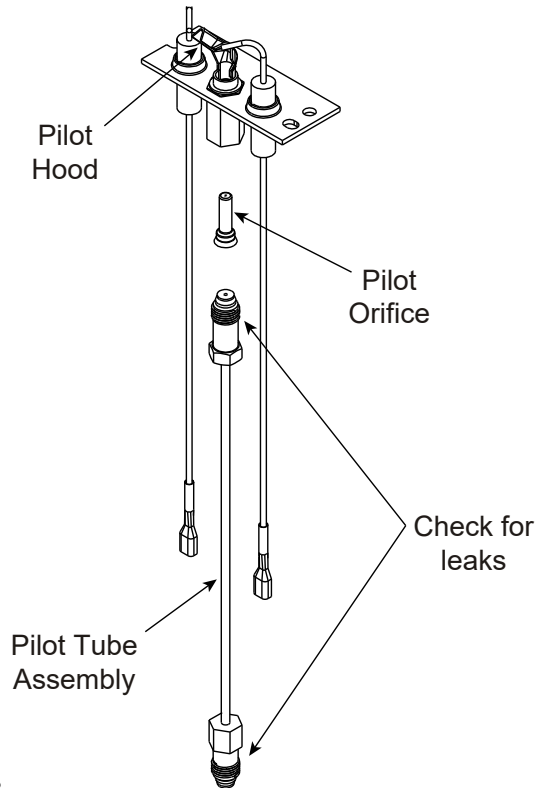


Figure 3

## Leak Test

1. Disconnect green wire attached to the gas valve.
2. Turn on gas supply and electrical power to the appliance.
3. Turn appliance "ON" and use a commercially available, non-corrosive leak check solution to test for leaks around the pilot fitting. See Figure 3.



### ⚠ WARNING

Shock or burn risk.

- Disconnect green wire from gas valve.
- Failure to disconnect green wire could result in severe burns.

4. Extinguish the pilot by turning the appliance "OFF".
5. Reconnect green wire to the valve.
6. Turn the appliance "ON" and test for leaks around the newly installed gas valve regulator.
7. Turn the appliance "OFF" to extinguish pilot and main burner flames.
8. Be sure to rinse off all leak check solution following testing and prior to placing the appliance into operation.
9. Verify that the conversion plate has been signed and dated. Affix the conversion plate adjacent to the rating label.
10. Install media, grate and logs per the instructions included with the appliance installation manual.

### ⚠ WARNING



Delayed Ignition Risk

- Place media according to instructions.
- Do NOT place media in area in front of pilot.
- Do NOT place media in a position that they may fall into area in front of pilot.
- Do NOT use any media other than the media supplied with this appliance.

Appliance will not function properly.

Delayed ignition may occur.

## Gas Appliance Specifications

Model	Fuel Type	Max. Input	Min. Gas Supply	Max. Gas Supply	Manifold Pressure	Burner Orifice	Pilot Orifice	Air Shutter
RB-18-24NI	Natural	50,000 btu/hr	5.0 in. wc (1.24 kPa)	10.0 in. wc (2.49 kPa)	3.5 in. wc (.87 kPa)	.144 in. (3.7 mm)	0.023	5/16 in.
RB-18-24PI	Propane	50,000 btu/hr	11.0 in. wc (2.74 kPa)	13.0 in. wc (3.23 kPa)	10.0 in. wc (2.49 kPa)	.086 in. (2.2 mm)	0.014	Full Open
RB-30NI	Natural	65,000 btu/hr	5.0 in. wc (1.24 kPa)	10.0 in. wc (2.49 kPa)	3.5 in. wc (.87 kPa)	.161 in. (4.1 mm)	0.023	5/16 in.
RB-30PI	Propane	65,000 btu/hr	11.0 in. wc (2.74 kPa)	13.0 in. wc (3.23 kPa)	10.0 in. wc (2.49 kPa)	.098 in. (2.5 mm)	0.014	Full Open

Table 1

NOTE: Input rate should be reduced by 4% for each 1000 feet above a 2000 foot elevation in the U.S.A.  
or 10% for elevations between 2000 and 4000 feet in Canada.



Hearth & Home Technologies  
7571 215<sup>th</sup> Street West, Lakeville, MN 55044  
[www.hearthnhome.com](http://www.hearthnhome.com)

Please contact your dealer with any questions or concerns.  
For the location of your nearest dealer,  
please visit [www.hearthnhome.com](http://www.hearthnhome.com).