

## Firescreen, Mission Full View, Forged Arch Decorative Fronts Models: QFI30FB-IFT, QFI35FB-IFT - Installation Instructions -



Leave this manual with party responsible for use and operation.

**CAUTION! Risk of Cuts, Abrasions or Flying Debris.** Wear protective gloves and safety glasses during installation. Sheet metal edges are sharp.

### **DANGER**



**HOT GLASS WILL  
CAUSE BURNS.**

**DO NOT TOUCH GLASS  
UNTIL COOLED.**

**NEVER ALLOW CHILDREN  
TO TOUCH GLASS.**

A barrier designed to reduce the risk of burns from the hot viewing glass is provided with this appliance and shall be installed for the protection of children and other at-risk individuals.

- CAREFULLY SUPERVISE children in same room as fireplace.
- Alert children and adults to hazards of high temperatures.

**High temperatures may ignite clothing or other flammable materials.**

- Keep clothing, furniture, draperies and other flammable materials away.
- Do NOT operate with protective barriers open or removed.

### INTRODUCTION

The surround is used to fill the space between the insert and the solid fuel firebox opening. The front is placed onto the surround after it is attached to the insert.

**WARNING! Risk of Fire! Combustible materials MUST NOT overlap or be placed under a surround.**

### Combustible Materials Specification

Materials made of or surfaced with wood, compressed paper, plant fibers, plastics, or other material that can ignite and burn, whether flame proofed or not, or plastered or unplastered shall be considered combustible materials.

**CAUTION! Do not install damaged components.**

### SURROUND INSTALLATION

1. The surround is shipped with the brackets attached for shipping purposes. Remove the surround brackets from the surround by removing two screws on each bracket.
2. Mount the left and right surround brackets onto the appliance with four screws. See Figure 1.
3. Mount the surround to the surround brackets with four screws. See Figure 1.
4. Attach the surround vanity panel with four 10-24 x 3/4 Phillips pan head screws if it was removed during surround installation or appliance set up. See Figure 2.
5. Once the surround is attached, slide the appliance backward until the surround is tight to the existing non-combustible finished wall.

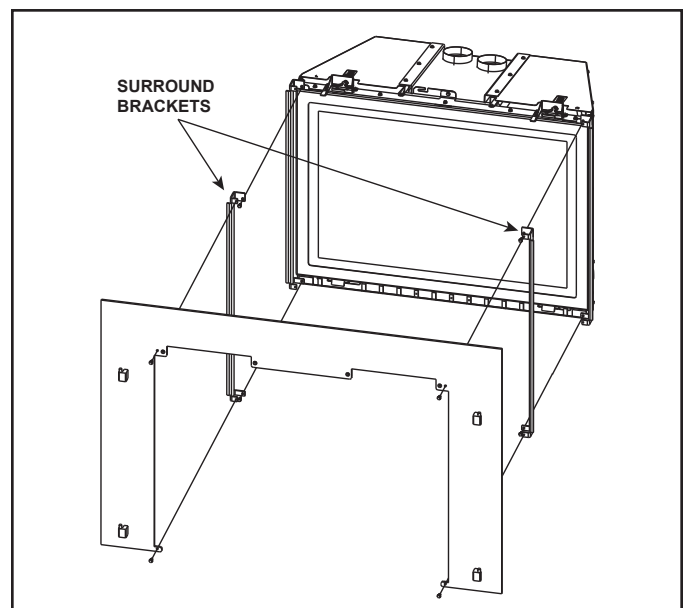


Figure 1

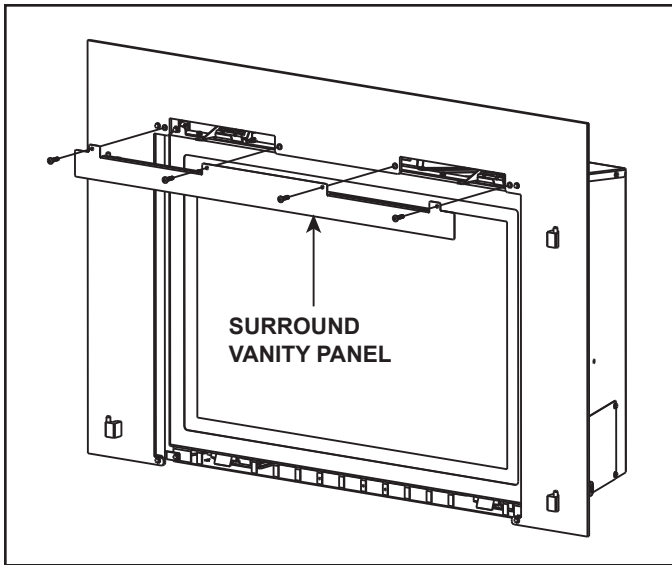


Figure 2

**INSTALL GLASS VANITY PANEL - Forged Arch Only**

**Forged Arch (FA-FB30/FA-FB35):**

1. Remove glass assembly per the instructions in the appliance installation manual.
2. Position glass vanity panel over top of glass frame as shown in Figure 3.
3. Locate the hand bend tabs on left and right sides indicated in Figure 4. Bend the tabs downward as shown in Figure 5.
4. Reinstall glass assembly.

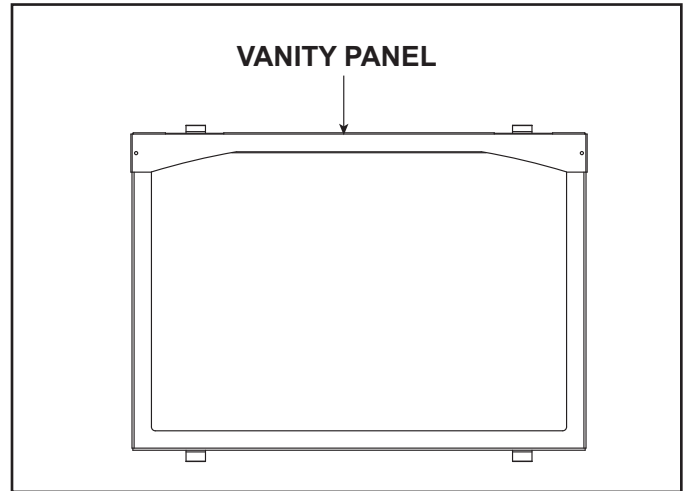


Figure 3. Vanity Panel - Forged Arch

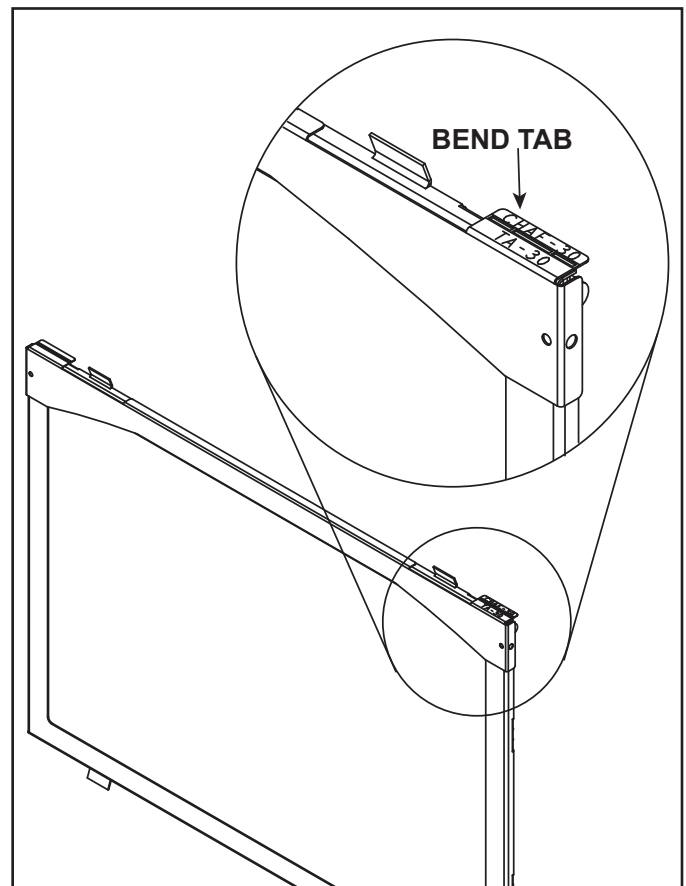


Figure 4. Location of Hand Bend Tabs - Forged Arch

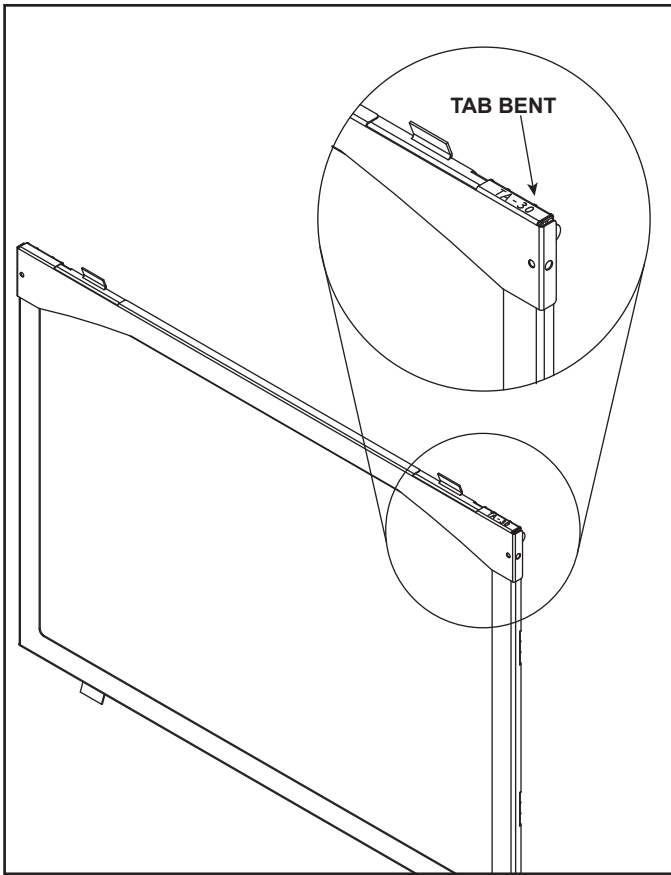


Figure 5. Tabs Bent to Secure Vanity Panel - Forged Arch

## HANGING THE DECORATIVE FRONT

1. All fronts mount on the blocks provided with the surround.

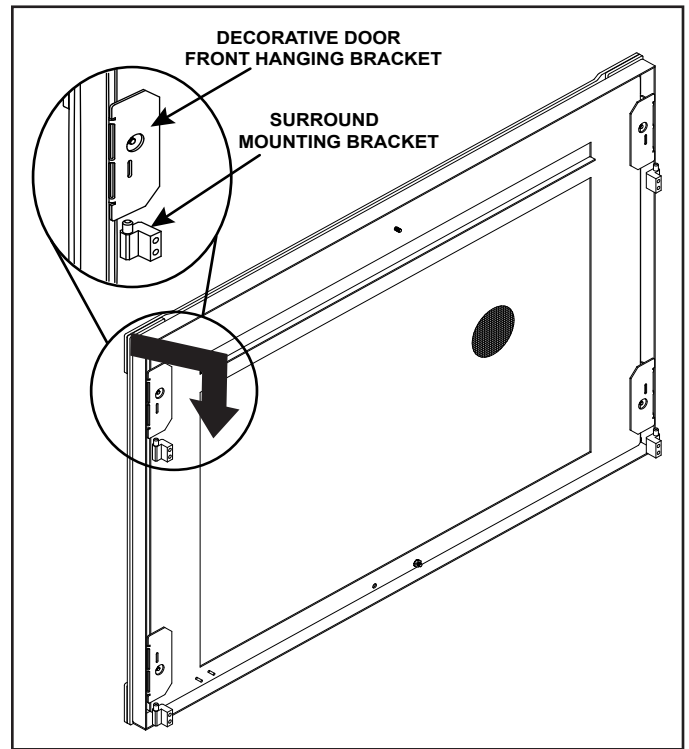


Figure 6.

2. Place the front onto the blocks by sliding the decorative front hanging brackets down behind the black pins on the surround. See Figure 6.

## Service Part List

SURROUNDS	DESCRIPTION	PART NUMBER
FBI30-4027-BK, -SB	VANITY PANEL	2201-210
FBI30-4230-BK, -SB		
FBI30-4432-BK, -SB		
FBI35-4229-BK, -SB	VANITY PANEL	2202-210
FBI35-4432-BK, -SB		
FBI35-4832-BK, -SB		
DECORATIVE FRONTS	DESCRIPTION	PART NUMBER
FS-FBQF30-BK, -SB	MESH ASSEMBLY	SRV2550-034
FS-FBQF35-BK, -SB	MESH ASSEMBLY	SRV2551-034
FA-FB30-BK	MESH ASSEMBLY	SRV2550-034
FA-FB35-BK	MESH ASSEMBLY	SRV2551-034
MFV-FBQF30-BK, -SB	MESH ASSEMBLY	SRV2550-034
MFV-FBQF35-BK, -SB	MESH ASSEMBLY	SRV2551-034

### Cleaning Instructions for Decorative Fronts

Use a microfiber cloth and Windex® Original Glass Cleaner or 03M003 Stove Bright® Glass Cleaner to clean the decorative front immediately after installation to remove acids deposited by the installer or technician. Spray the cleaner onto the microfiber cloth and carefully wipe the entire surface. The decorative front should be cleaned in this manner annually by the homeowner to remove fingerprints or other contaminants. Once oxidation of the paint pigment has occurred, cleaning will not restore the original color.

Please contact your Quadra-Fire dealer with any questions or concerns.  
For the location of your nearest Quadra-Fire dealer, please visit [www.quadrafire.com](http://www.quadrafire.com).

Quadra-Fire, a brand of Hearth & Home Technologies  
7571 215th Street West, Lakeville, MN 55044  
[www.quadrafire.com](http://www.quadrafire.com)