

Wall Switch Installation Instructions

Model: IPIWK

Wall Switch Control Assembly

The AVFL60 has an optional wall switch which will allow the LED buttons to be relocated into the wall switch box.

WARNING: Turn off fireplace and allow to cool completely before beginning installation.

Kit Contents:

- 1 wall switch cover plate
- 1 double gang box
- 1 gang box adapter plate
- 1 Y wire connector
- 1-12' wall switch wire
- 1 rocker switch
- Fastener Pack

NOTE — This kit will allow the control box to be installed up to 12 ft. from the unit.

1. Locate controls by lifting the engine assembly to reveal components. Refer to the AVFL60 Installation Manual.
2. This kit will use wires from the control module and battery backup. Follow the wiring diagram to complete connection. See Figure 3.
3. Remove buttons from LED bracket on the engine assembly by removing wire connection and unsecuring nut from the rear of button. Refer to the AVFL60 Installation Manual for location of buttons.

4. Once both buttons are removed, place buttons through the face of the gang box adapter plate and secure with nut.
5. Run yellow cable from the AVFL60 into double gang box and connect to LED buttons.
6. With the white wall switch wire run into the double gang box, assemble the box and secure within 12 ft. of the unit to a wall stud.

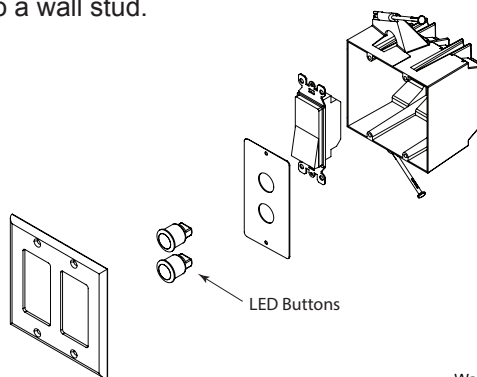


Figure 1 – Wall Switch Control Assembly

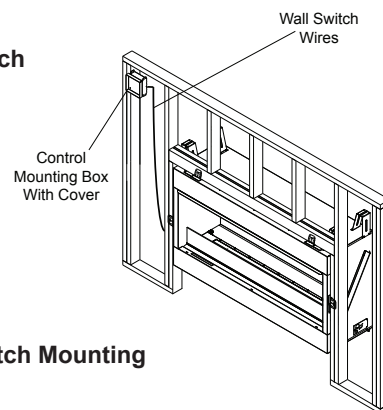


Figure 2 – Wall Switch Mounting

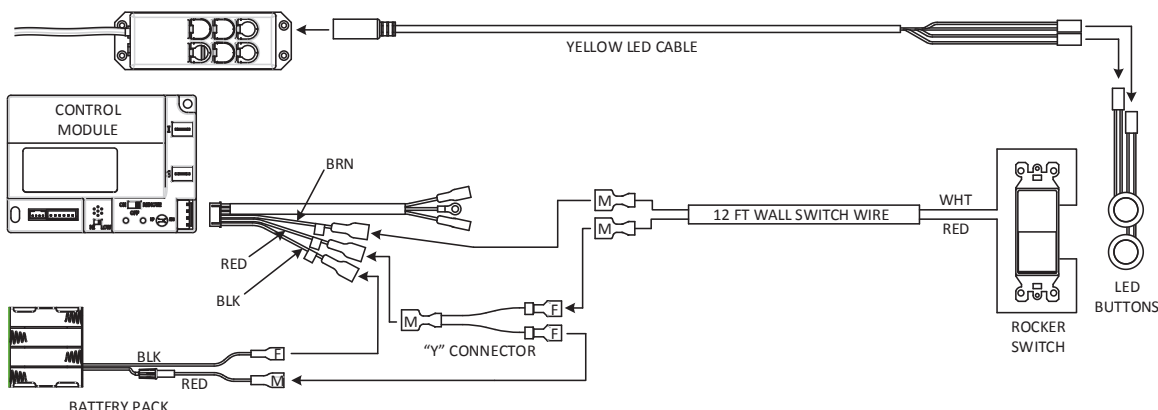


Figure 3 – Wiring Diagram