



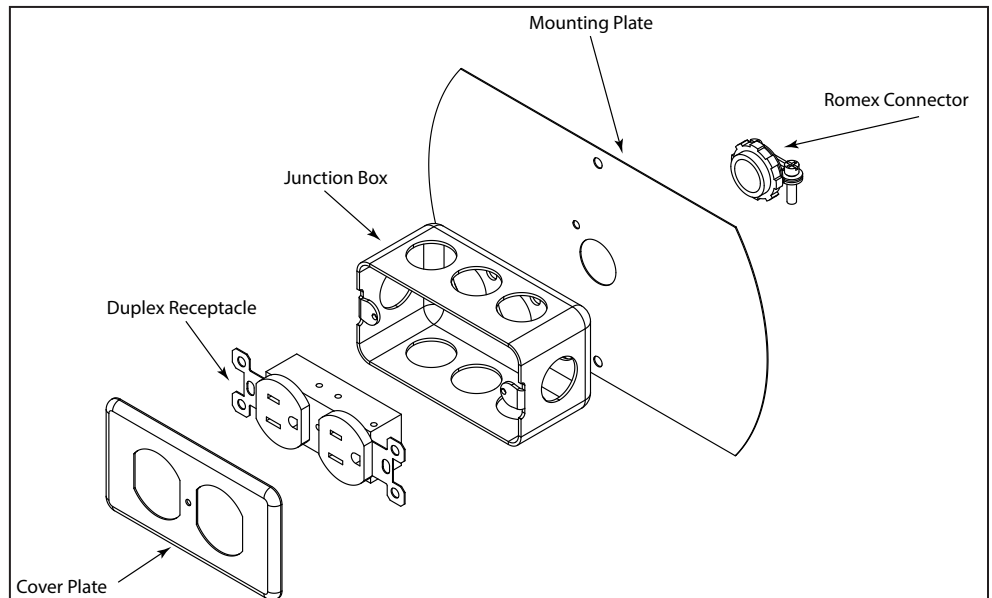
INSTALLATION INSTRUCTIONS

JK8 JUNCTION BOX KIT

➔ This junction box kit has been tested for use with Hearth & Home Technologies products, and is listed as a fireplace part. Check with your local building code agency before you begin your installation to ensure compliance with local codes, including the need for permits and follow-up inspections. If you encounter problems regarding code approvals, or if you need clarification of the instructions contained here, contact your local distributor/dealer.

Note: An arrow (➔) found in the text signifies change in content.

➔ Description	Qty
Junction Box Kit	1
Junction Box	1
Cover Plate	1
Receptacle	1
Fastener Pack	1
#8 x 1/2	2
10-32 x 3/8 tc	1
10-32 x 3/8	1
Romex Connector	1
Mounting Plate	1



WARNING!

Disconnect the power supply before stripping or joining any supply wires. Only persons qualified for making electrical installations (electricians), as recognized by local or national governmental bodies, should attempt to make the incoming supply wire connections.

CAUTION:

Edges are sharp! Hand protection is recommended.

STEP BY STEP INSTALLATION INSTRUCTIONS

1. The JK8 Junction Box Kit is to be installed on the right hand side of the fireplace. Remove and discard the metal knockout on the right hand side of the fireplace.
2. Bring the electrical wires to the inside of the junction box and secure them in place with the romex connector.
3. Install the duplex receptacle in the junction box and attach the cover plate.
4. Attach the junction box to the side of the fireplace with two screws.
5. Proceed to install the fan kit, if desired. See the installation instructions supplied with the fan kit for details.