



# HEARTH & HOME technologies™

7571 215th Street West,  
Lakeville, MN 55044  
www.fireplaces.com

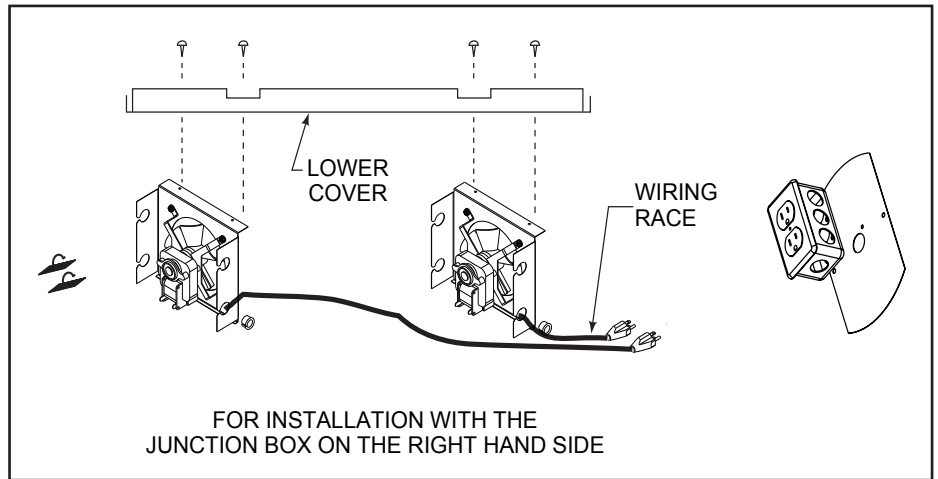


## INSTALLATION INSTRUCTIONS FK18 FAN KIT

This fan kit has been tested for use with specific Hearth & Home Technologies fireplaces, and is listed as a fireplace part. Check with your local building code agency before you begin your installation to ensure compliance with local codes, including the need for permits and follow-up inspections. If you encounter any problems regarding code approvals or if you wish clarification of any of the instructions contained here, contact your local distributor/dealer,

**Note:** An arrow (➔) found in the text signifies change in content.

| ➔ Description      | Qty |
|--------------------|-----|
| • Fan Kit          | 1   |
| Fan Assy           | 2   |
| Cord Bushing       | 2   |
| Long Cord          | 1   |
| Short Cord         | 1   |
| Cord Clip          | 2   |
| • Junction Box Kit | 1   |
| Junction Box       | 1   |
| Cover Plate        | 1   |
| Receptacle         | 1   |
| Fastener Pack      | 1   |
| Mounting Plate     | 1   |



**Diagram A**

### WARNING!

Disconnect power before stripping or joining any supply wires. Only persons qualified for making electrical installations (electricians) as recognized by local or national governmental bodies should attempt to make the incoming supply wire connections.

Recheck all fasteners before leaving job.

**CAUTION:**

Edges are sharp! Hand protection is recommended.

**Note:** Junction Box Kit, catalog number JK8 must be installed prior to installation of the fan kit.

1. If glass doors are installed, they must be removed. To do so, depress the upper outside corner spring clip until the pivot pin on the top of the door clears. Opening the bi-fold doors so the glass panels are close together makes it easier to tilt and free the door from the spring clips.
2. Remove the seven screws and lift the lower cover from the fireplace. Retain the screws for installation of the fan assembly. See Figure 1.
3. Locate which side of the fireplace the junction box is mounted on (right side shown).
- ➔ 4. The cord should be mounted in bottom hole on the side that the junction box is mounted on. Fan with with the short cord should be mounted closest to the junction box. See Diagram A.
5. Place the cord wires through the slot in the bushing. See Figure 2.

**Note:** A Motor Speed Control Kit, catalog number BC10, is available for use with this fan kit. Refer to the instructions packed with it for proper installation. If a speed control option is desired, it is recommended to use the BC10 kit to ensure proper function.

**Note:** This fan kit requires the use of an in-line wall switch.

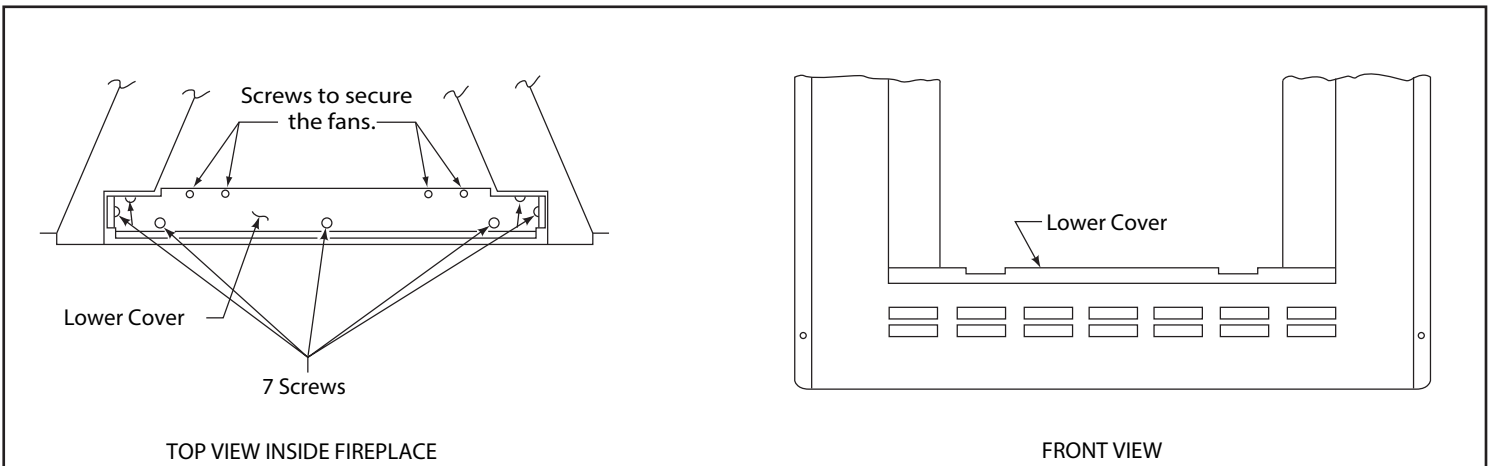


Figure 1

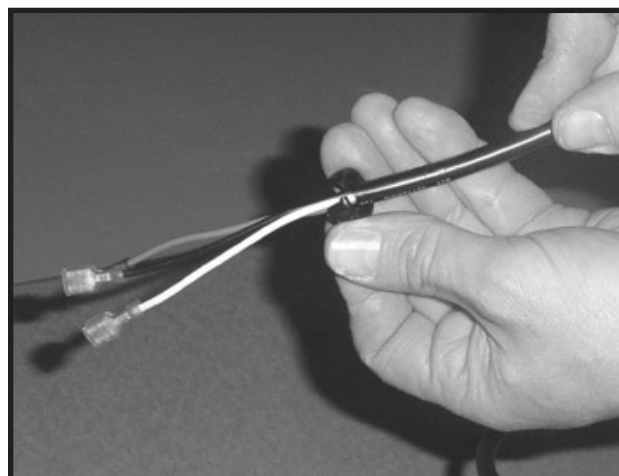
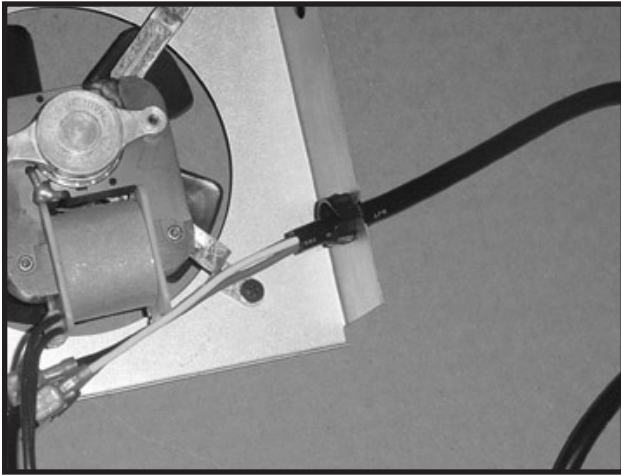
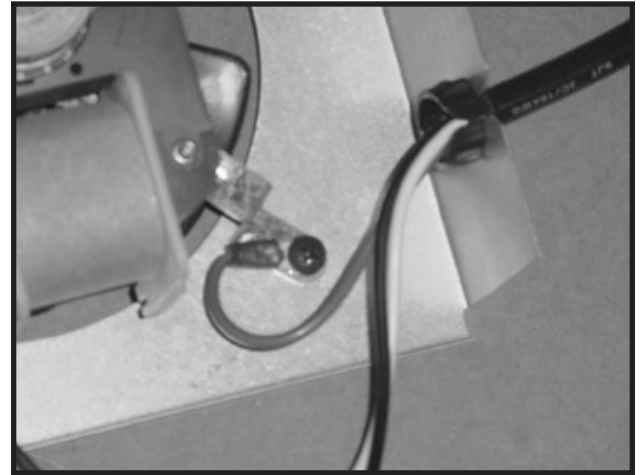


Figure 2 - Wires Into Bushing

6. Squeeze the bushing and push it into the hole. See Figure 3.
7. Loosen the bottom screw on the fan leg, slip the green grounding wire under the screw head and tighten. See Figure 4.

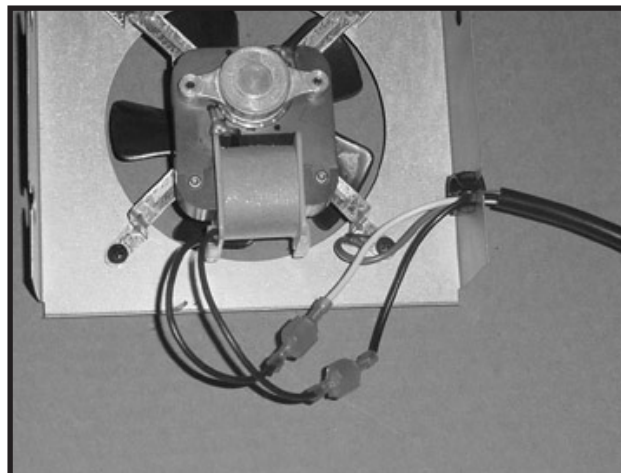


**Figure 4**  
**Bushing into Hole**  
(Use lower holes only.)



**Figure 5**  
**Grounding**

8. Connect the fan wires to the cord wires. See Figure 5.
9. Repeat Steps 1 - 8 for the other fan.
10. Attach the fan assembly to the bottom of the lower cover with the screws as shown in Diagram A, page 1.  
**Important: The motor must be positioned towards the front of the fireplace, with the fan blade to the back of the fireplace.**
11. While positioning the lower cover and fan kit assembly into the fireplace opening, plug the fans into the junction box. Secure the lower cover with the seven screws retained from the removal of the lower cover.
12. Install the glass doors (if required).



**Figure 5**  
**Connecting the Fan Wires to Cord Wires**



7571 215th Street West,  
Lakeville, MN 55044  
[www.fireplaces.com](http://www.fireplaces.com)