

CMOD-36-GY, CMOD-42-GY, CMOD-36-BK, CMOD-42-BK Doors Models: 6000CMOD-IPI, 8000CMOD-IPI Door - Installation Instructions -



Leave this manual with party responsible for use and operation.

CAUTION! Risk of Cuts, Abrasions or Flying Debris.
Wear protective gloves and safety glasses during installation. Sheet metal edges are sharp.

CAUTION! Do not install damaged components.

! DANGER



HOT GLASS WILL CAUSE BURNS.

DO NOT TOUCH GLASS UNTIL COOLED.

NEVER ALLOW CHILDREN TO TOUCH GLASS.

A barrier designed to reduce the risk of burns from the hot viewing glass is provided with this appliance and shall be installed for the protection of children and other at-risk individuals.

WARNING! Risk of Fire! Combustible materials MUST NOT overlap or be placed under a surround.

CONTENTS:

- (1) Decorative Front
- (4) Shoulder Bolts

Verify and remove contents from packaging before beginning installation.

INSTALLATION

1. Install the shoulder bolts by threading the bolts into the rivnuts. See Figure 1.
2. Bend the (4) handbend J-hooks on the back of the inner door to 90° perpendicular to allow for easy hanging of the door on the unit. Adjust handbend J-hooks if needed. See Figure 2 for reference.

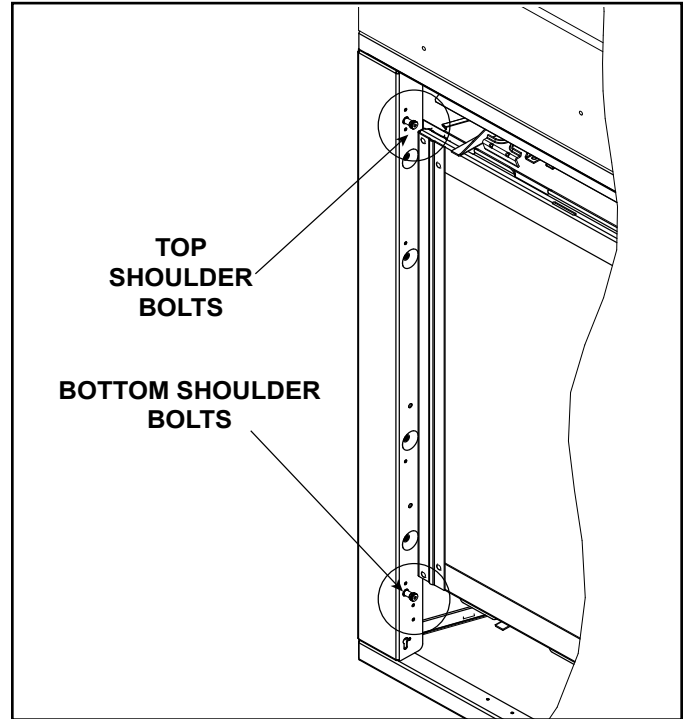


Figure 1. Shoulder Bolt installation

3. Attach the inner door to the appliance, mount the J-hooks on the shoulder bolts. See Figure 2.

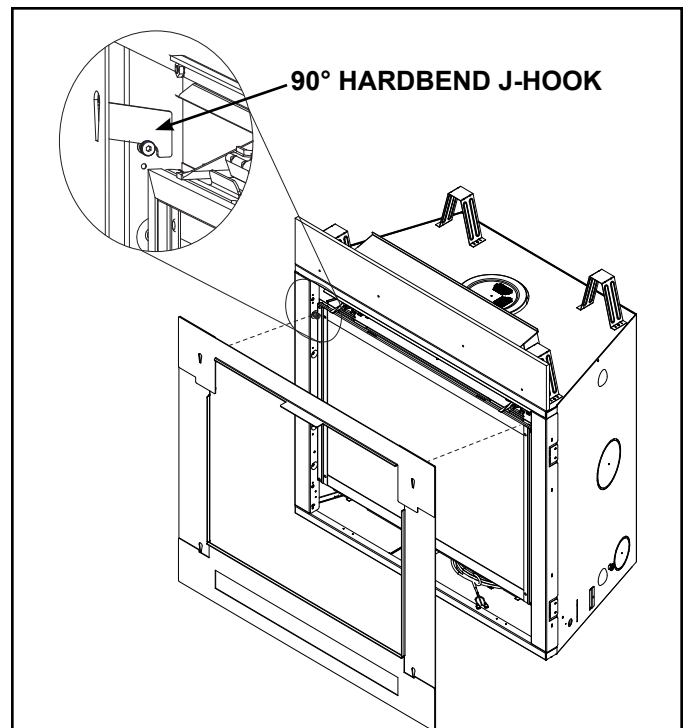


Figure 2. Inner Door Installation

- 4 Attach the outer door to the inner door, mount the four J-Hooks on the slots. See Figure 3.

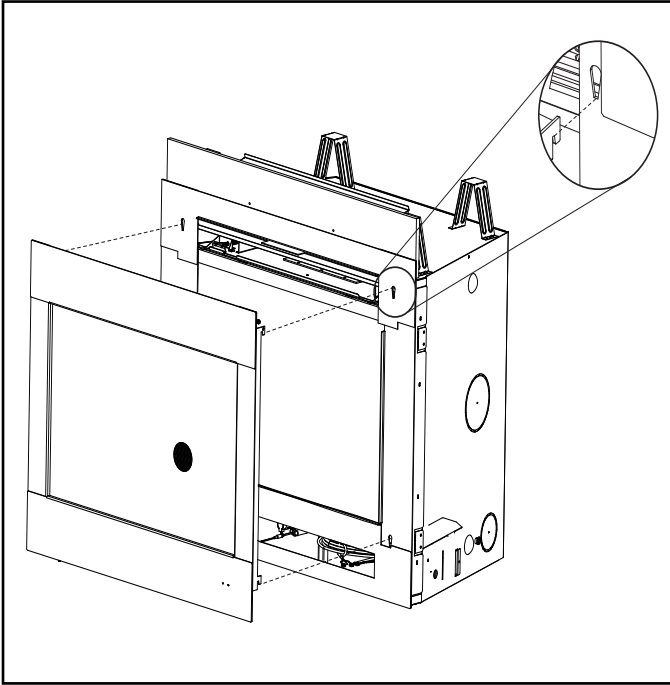


Figure 3. Outer Door Attachment

Cleaning Instructions for Doors

Use a microfiber cloth and Windex® Original Glass Cleaner or 03M003 Stove Bright® Glass Cleaner to clean the door immediately after installation to remove acids deposited by the installer or technician. Spray the cleaner onto the microfiber cloth and carefully wipe the entire surface. The door should be cleaned in this manner annually by the homeowner to remove fingerprints or other contaminants. Once oxidation of the paint pigment has occurred, cleaning will not restore the original color.

SERVICE PARTS

CMOD-36-GY CMOD-36-BK	
Mesh	2172-042

CMOD-42-GY CMOD-42-BK	
Mesh	2173-042

CMOD-36-GY, CMOD-36-BK CMOD-42-GY, CMOD-42-BK	
Shoulder Bolt	319-835

Please contact your Heat & Glo dealer with any questions or concerns.
For the location of your nearest Heat & Glo dealer, please visit www.heatnglo.com.

Heat & Glo, a brand of Hearth & Home Technologies
7571 215th Street West, Lakeville, MN 55044
www.heatnglo.com