

This appliance has been retired.
Service parts pages within have been removed.
For replacement parts, please refer to the individual
service parts list located on the brand websites.

HEAT & GLO™

Where everything comes together

INSTALLATION AND OPERATION INSTRUCTIONS

MODEL CFL-18NG-B, CFL-24NG-B, CFL-30NG-B, ST-CFL-24NG: NATURAL GAS



MODEL CFL-18LP-B, CFL-24LP-B, CFL-30LP-B, ST-CFL-24LP: LPGAS (PROPANE)



**READ THIS MANUAL BEFORE INSTALLATION AND
LEAVE IT WITH THE APPLIANCE FOR OPERATION AND MAINTENANCE.**

WARNING: If the information in this manual is not followed exactly, a fire or explosion may result causing property damage, personal injury or loss of life.

- Do not store or use gasoline or other flammable vapors and liquids in the vicinity of this or any other appliance.
- **WHAT TO DO IF YOU SMELL GAS**
 - Do not try to light any appliance.
 - Do not touch any electrical switch; do not use any phone in your building.
 - Immediately call your gas supplier from a neighbor's phone. Follow the gas supplier's instructions.
 - If you cannot reach your gas supplier, call the fire department.
- Installation and service must be performed by a qualified installer, service agency or the gas supplier.



Underwriters Laboratories
Listed

WARNING:

Improper installation, adjustment, alteration, service or maintenance can cause injury or property damage. Refer to the owner's information manual provided with this appliance. For assistance or additional information consult a qualified installer, service agency or the gas supplier.

Copyright 2005
Heat & Glo, a brand of Hearth & Home Technologies
20802 Kensington Blvd., Lakeville, Mn 55044
Printed in U.S.A.

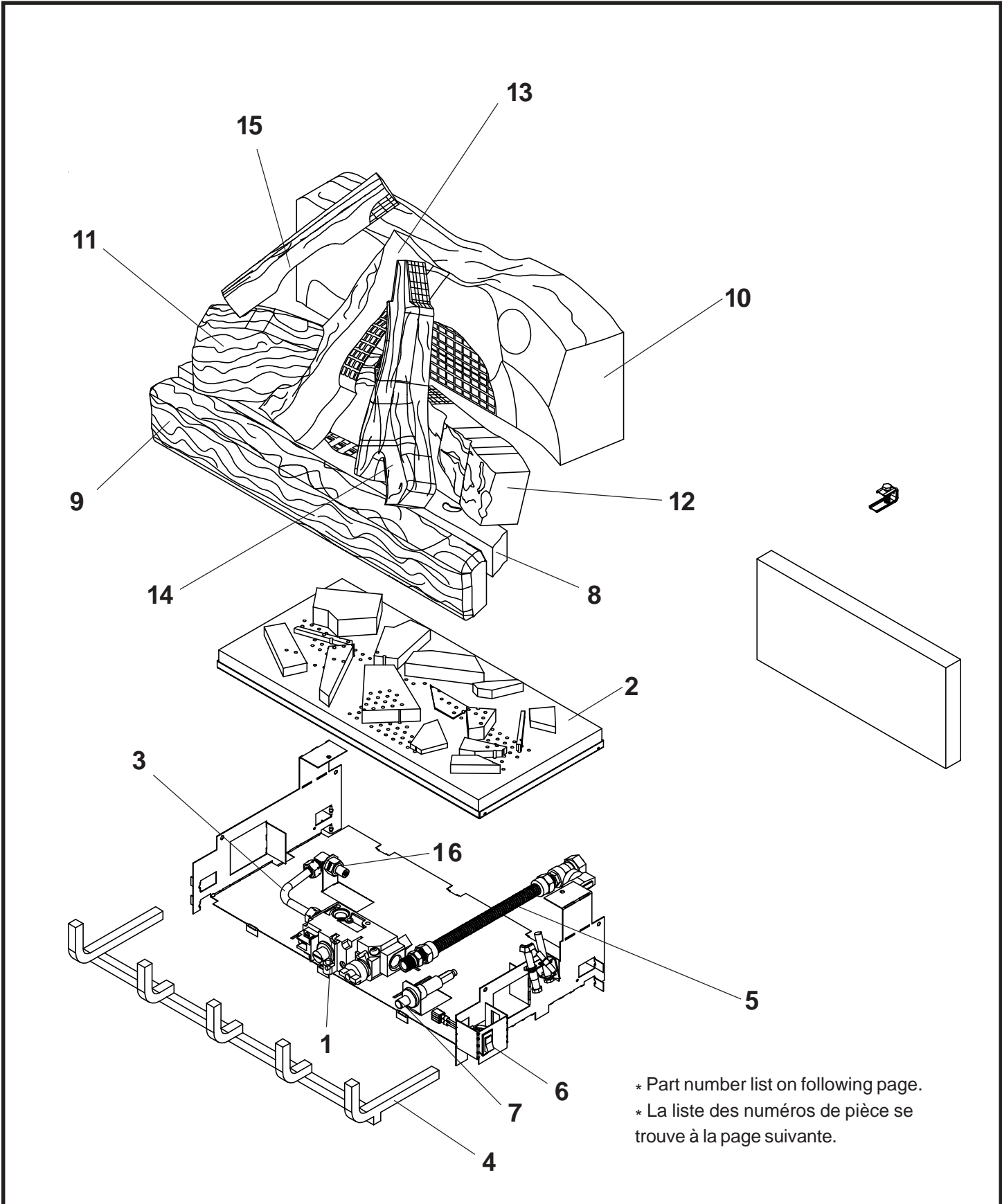
Please contact your Heat & Glo dealer with any questions or concerns. For the number of your nearest Heat & Glo dealer, please call 888-427-3973

This product may be covered by one or more of the following patents: (United States) 4593510, 4686807, 4766876, 4793322, 4811534, 5000162, 5016609, 5076254, 5113843, 5191877, 5218953, 5263471, 5328356, 5341794, 5347983, 5429495, 5452708, 5542407, 5601073, 5613487, 5647340, 5688568, 5775408, 5890485, 5931661, 5941237, 5947112, 5996575, 6006743, 6019099, 6048195, 6053165, 6145502, 6170481, 6237588, 6296474, 6374822, 6413079, 6439226, 6484712, 6543698, 6550687, 6601579, 6672860, 6688302B2, 6715724B2, 6729551, 6736133, 6748940, 6748942, D320652, D445174, D462436; (Canada) 1297749, 2195264, 2225408; or other U.S. and foreign patents pending.

Table of Contents

→ SERVICE PARTS LIST	3
1.0 INTRODUCTION	15
2.0 ASSEMBLY	15
GAS LINE CONNECTION	16
3.0 OPERATING GUIDELINES AND MAINTENANCE INSTRUCTIONS	17
LP (PROPANE) INFORMATION	17
SAFETY INFORMATION	18
LIGHTING INSTRUCTIONS	19
4.0 HIGH ELEVATION INSTALLATION	20
→ WARRANTY POLICY	21

→ = Contains updated information.

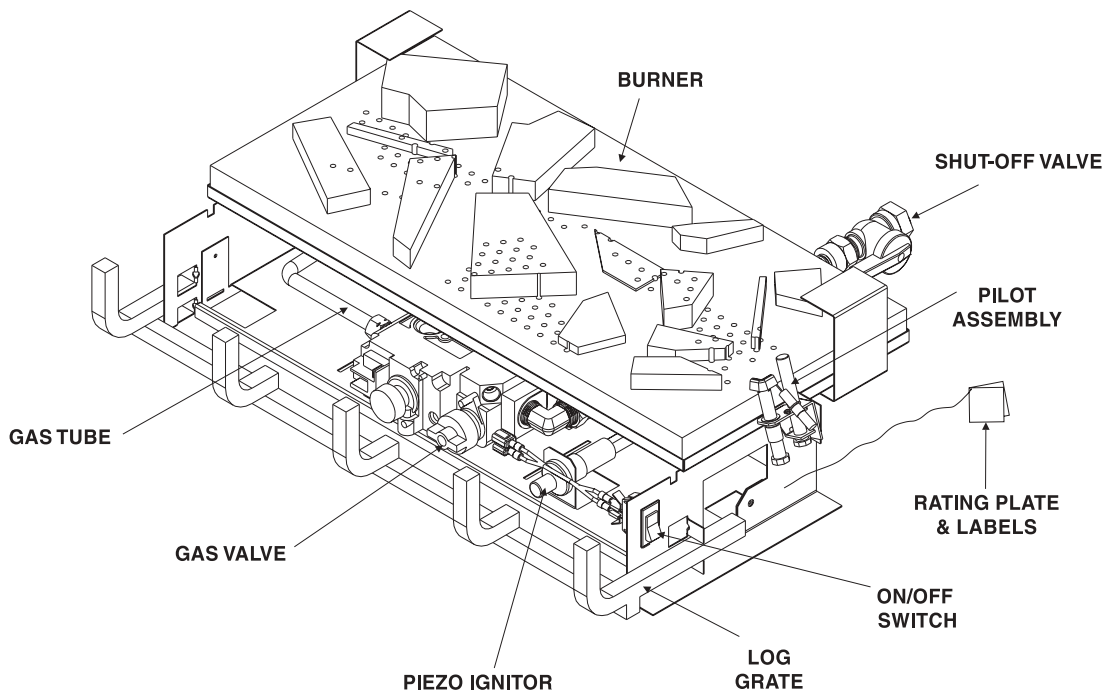


Service Parts List / Liste des pièces de rechange

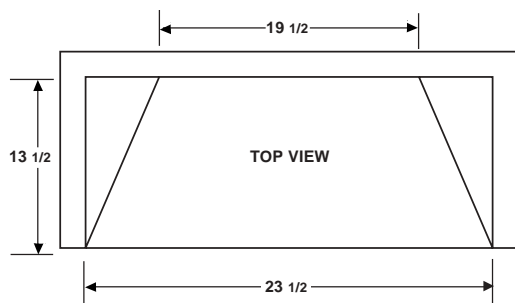
CFL-18-B

IMPORTANT: THIS IS DATED INFORMATION. The most current information is located on your dealers VIP site. When ordering, supply serial and model numbers to ensure correct service parts. / **IMPORTANT :** L'information fournie dans cette brochure n'est valide que pendant une courte période. Les sites VIP des distributeurs disposent des renseignements les plus récents. Lors d'une

ITEM / PIÈCE	DESCRIPTION	SERIAL # / N° DE SÉRIE	PART NUMBER / N° DE PIÈCE
1	Valve NG / Valve GN		060-500
1	Valve LP / Valve PL		060-501
	Pilot Assembly NG / Module de veilleuse GN		446-512A
	Pilot Assembly PL / Module de veilleuse PL		446-513A
	Pilot Orifice NG / Orifice de veilleuse GN		446-505
	Pilot Orifice PL / Orifice de veilleuse PL		446-517
	Thermocouple / Thermocouple		446-511
	Thermopile / Thermopile		060-512
2	Burner NG / Brûleur GN		526-326A
2	Burner LP / Brûleur PL		526-326A
3	Burner Tube / Tube de brûleur		477-301A
4	Grate Assembly / Grille		526-360
5	Flex Ball Valve Assembly / Fléchir l'Assemblée de Soupape de Balle		302-320A
6	ON/OFF Rocker Switch / Interrupteur à bascule MARCHE/ARRÊT		060-511
7	Piezo Ignitor / Allumage Piézo		291-513
8 & 9	Must order both logs / Bûches	PRE 4-04	SRV481-766 SRV481-755
8	Logs 1 and 2 / Bûches 1 and 2	POST 4-04	SRV481-766
9	Logs 3 and 4 / Bûches 3 and 4	POST 4-04	SRV481-755
10	Log 5 / Bûche 5		SRV481-701
11	Log 6 / Bûche 6		SRV481-705
12	Log 7 / Bûche 7		SRV446-702
13	Log 8 / Bûche 8		SRV481-703
14	Log 9 / Bûche 9		SRV402-701
15	Log 10 / Bûche 10		SRV446-706
16	Burner Orifice NG (1.55mm) / Orifice de brûleur GN (1.55mm)		526-801
16	Burner Orifice LP (2.30mm) / Orifice de brûleur PL (2.30mm)		526-800
	Single Wire Assembly (24 inch) / Module de fil		049-555A
	Wire Assembly (24 feet) / Module de fil		089-550A
	Pilot Tube / Tube de veilleuse		446-301

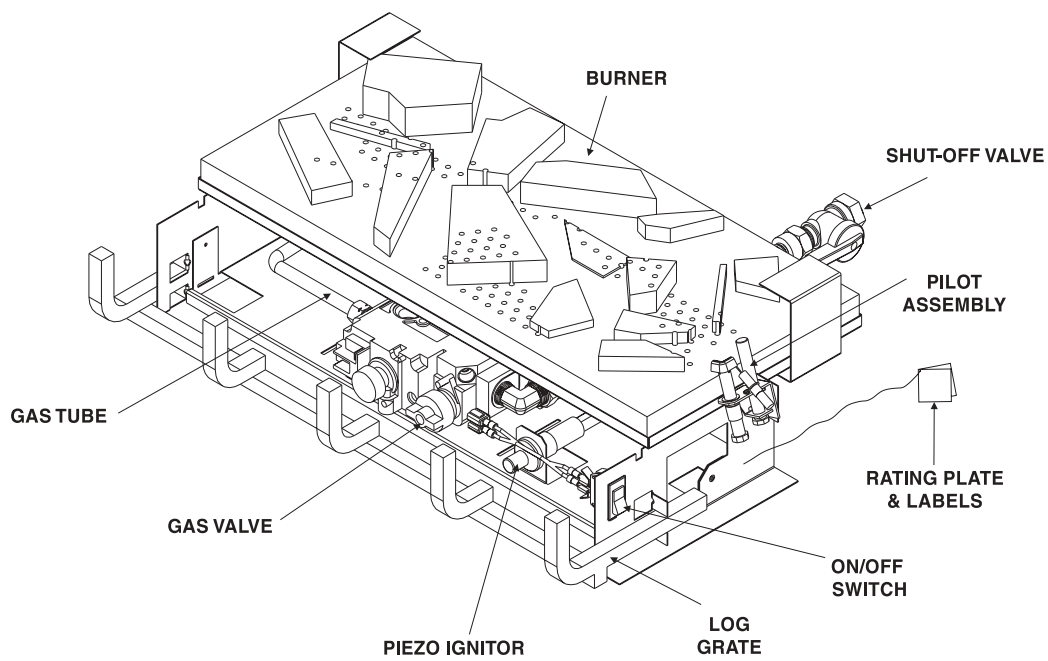


Gas Log Positioning

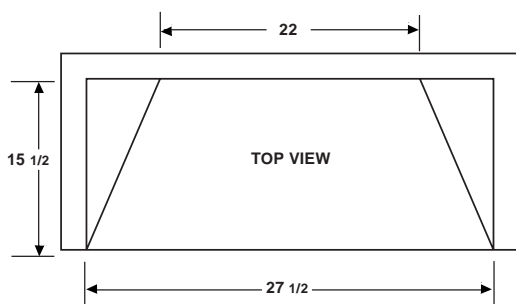


MINIMUM FIREPLACE SIZE
FRONT WIDTH : 23 1/2" (750mm)
REAR WIDTH : 19 1/2" (521mm)
DEPTH : 13 1/2" (331mm)
HEIGHT : 22" (508mm)

FIGURE 1. MODEL CFL-18-B

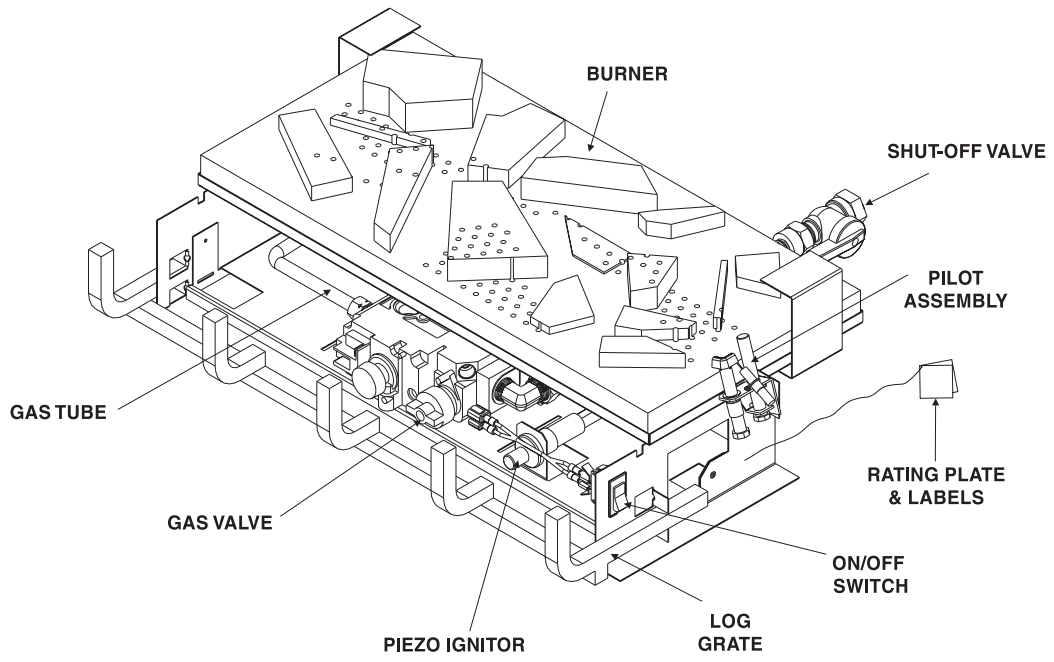


Gas Log Positioning

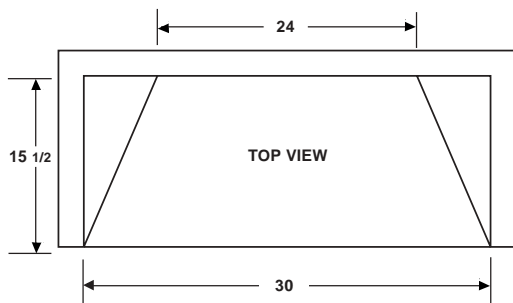


MINIMUM FIREPLACE SIZE
FRONT WIDTH : 27 1/2" (750mm)
REAR WIDTH : 22" (521mm)
DEPTH : 15 1/2" (331mm)
HEIGHT : 22" (508mm)

FIGURE 2. MODEL CFL-24-B

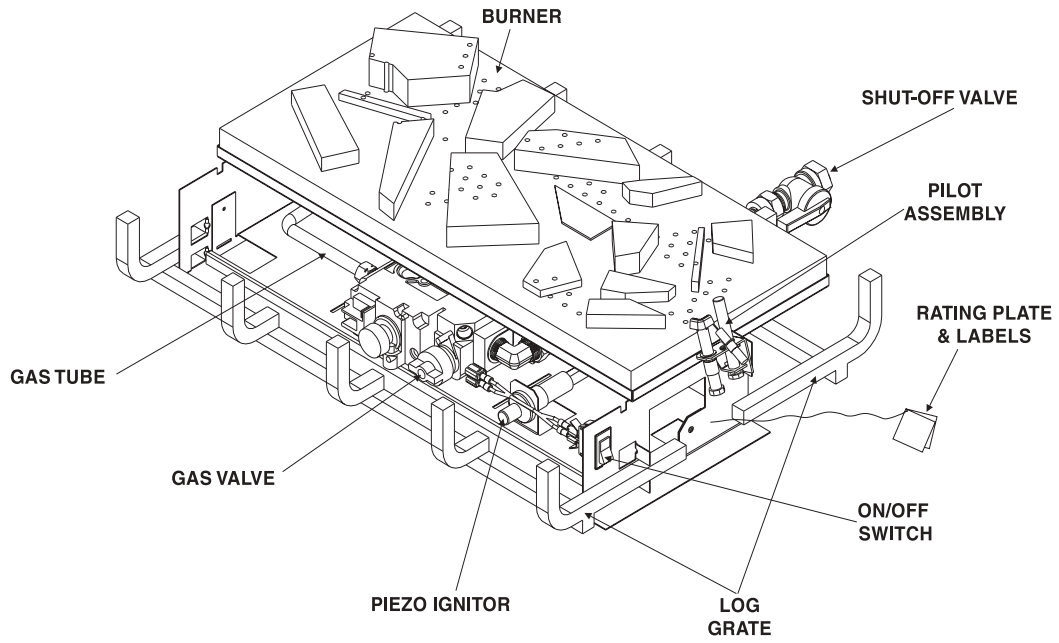


Gas Log Positioning

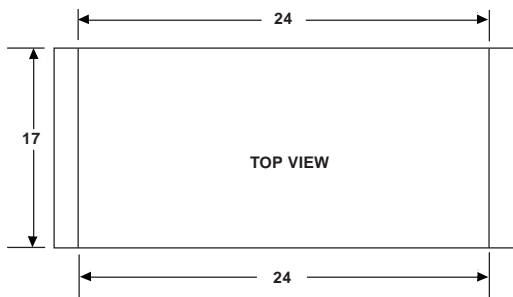


MINIMUM FIREPLACE SIZE
FRONT WIDTH: 30" (750mm)
REAR WIDTH : 24" (521mm)
DEPTH : 15 1/2" (331mm)
HEIGHT : 22" (508mm)

FIGURE 3. MODEL CFL-30-B



Gas Log Positioning



MINIMUM FIREPLACE SIZE
FRONT WIDTH : 24" (521mm)
REAR WIDTH : 24" (521mm)
DEPTH : 17" (331mm)
HEIGHT : 20" (508mm)

FIGURE 4. MODEL ST-CFL-24

1.0 INTRODUCTION

The information in this manual pertains to Models CFL-18 NG/LP-B, CFL-24 NG/LP-B, CFL-30 NG/LP-B and ST-CFL-24NG/LP.

Gas Log Sets are Decorative Gas Appliances for Installation in a Solid-fuel Burning Fireplace. Minimum fireplace sizes for these models are shown in Figures 1, 2, 3 and 4.

WARNING: This log set must **NOT** be installed in an unvented appliance.

This log set is to be installed only in a solid-fuel burning fireplace with a working flue and one constructed of noncombustible material. The minimum permanent vent opening provided by the fireplace chimney damper to vent the flue products must not be less than 51 square inches (328cm²). The chimney damper **MUST** be fixed in a manner to maintain the minimum permanent vent opening. This may be accomplished by fastening the damper stop clamp provided to the edge of the damper to prevent its closing.

WARNING: OPEN THE CHIMNEY DAMPER TO ITS **FULLY OPEN** POSITION WHEN BURNING THIS GAS LOG SET.

WARNING: LOGS MUST NEVER BE BURNED WITHOUT THE FLUE DAMPER IN THE FULL OPEN POSITION. FAILURE TO DO SO IS DANGEROUS TO YOUR HEALTH AND VOIDS ALL WARRANTIES.

WARNING: ALL GAS APPLIANCES PRODUCE SOME CARBON MONOXIDE WHEN OPERATED. CARBON MONOXIDE IS A COLORLESS, ODORLESS, POISONOUS GAS. ADEQUATE PROVISIONS MUST BE MADE TO PROVIDE COMBUSTION AIR FOR THIS GAS LOG SET. IF OUTSIDE AIR IS **NOT INCLUDED** IN THE FIREPLACE, IT MAY BE NECESSARY THAT AN ADDITIONAL COMBUSTION AIR SOURCE BE PROVIDED.

2.0 ASSEMBLY

CAUTION: WHEN INSTALLING THIS LOG SET IN A FACTORY BUILT FIREPLACE, BE CERTAIN TO CONSULT THE FIREPLACE INSTALLATION MANUAL. ALL KNOCKOUTS IN THE FIREPLACE THROUGH WHICH THE GAS SUPPLY LINE IS RUN MUST BE RESEALED WITH INSULATION AFTER THE GAS LINE IS IN PLACE.

These models contain complete gas-burner, grate(s), and log components needed. Use caution when handling logs to avoid damage. Position the gas-burner

CAUTION: CHECK THE CONSTRUCTION OF THE FIREPLACE BEFORE INSTALLING THE GAS LOG SET. THE AREA OF THE FLUE SHOULD **NOT** BE LESS THAN 1/11 THE AREA OF THE FIREPLACE OPENING. NON-AIRTIGHT GLASS DOORS SHOULD BE INSTALLED ON THE FIREPLACE IF THE AREA OF THE FLUE IS LESS THAN 1/11 THE AREA OF THE FIREPLACE OPENING.

CAUTION: To minimize the possibility of spillage and to maximize proper draft, position the log set as close to the back of the fireplace as possible. The ST-CFL-24 log set should be positioned in the center of the unit.

The installation, including provisions for combustion and ventilation air, must conform with the National Fuel Gas Code ANSI Z223.1 (in the United States), the CAN/CGA B-149 Installation Code (in Canada) and applicable local building codes.

These models can be installed in a bedroom (in the United States) which has a total volume of unconfined space appropriate to the particular installation. Refer to the National Fuel Gas Code ANSI Z223.1/NFPA 54- (current edition). The Uniform Mechanical Code (current edition), and Local Building Officials for the options allowed in obtaining an effective bedroom volume of unconfined space.

Always keep the appliance area clear and free from combustible materials, gasoline, and other flammable vapors and liquids.

Do not use this appliance if any part has been under water. Immediately call a qualified service technician to inspect the unit and to replace any part of the control system and any gas control which has been under water.

WARNING: THIS UNIT IS NOT FOR USE WITH SOLID FUEL. SOLID FUELS SHALL NOT BE BURNED IN A FIREPLACE WHERE A DECORATIVE APPLIANCE IS INSTALLED.

assembly to the rear of the fireplace. The ST-CFL-24 log set should be positioned in the center of the unit. Once fully assembled, the front log will extend forward of the burner assembly.

A. Run proper size gas line into fireplace. A 1/2 inch (13mm) gas line, with a 3/8 inch (10mm) reduction for hook-up, is usually sufficient for the Gas Log set; however, if the run is unusually long, a larger line may be required. Contact your local gas company or Department of Building and Safety if there are any questions.

B. Minimum inlet gas supply pressure for purposes of input adjustment, shall be 7.0 inches w.c. (1.75kPa) for natural gas and 11.0 inches w.c. (2.75kPa) for propane (LP gas). Maximum inlet gas supply pressure shall be 14.0 in. w.c. (3.5kPa) for both natural gas and propane (LP gas). Manifold (outlet) pressure should be 3.5 inches w.c. (.87kPa) for natural gas and 10.0 inches w.c. (2.5kPa) for LP gas.

C. The appliance and its individual shut off valve must be disconnected from the gas supply piping system during any pressure testing of the system at test pressures in excess of 1/2 psig (3.5kPa).

D. This appliance must be isolated from the gas supply piping system by closing its individual manual shut off valve during any pressure testing of the gas supply piping system at test pressures equal to or less than 1/2 psig (3.5kPa).

E. NOTE: THE GAS SUPPLY LINE SHOULD BE PURGED OF ANY TRAPPED AIR PRIOR TO THE FIRST FIRING OF THE UNIT.

F. CAUTION: During the initial purging and subsequent lightings, NEVER allow the gas control valve knob to remain depressed in the "PILOT" position without pushing the red ignitor button at least once every second.

G. A damper stop clamp with set screw is provided to prevent full closure of the fireplace damper blade. Attach the clamp to the edge of the damper blade with pliers or wrenches. If the damper stop supplied does not fit the application, use a permanent means that will keep the damper open to a MINIMUM of 51 square inches (328cm²). See Figure 5.

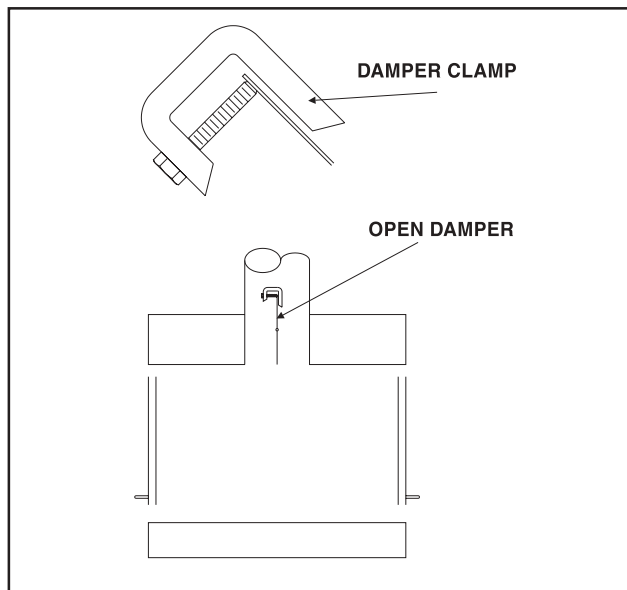


Figure 5

WARNING: OPEN THE CHIMNEY DAMPER TO ITS FULLY OPEN POSITION WHEN BURNING THIS GAS LOG SET.

WARNING: LOGS MUST NEVER BE BURNED WITHOUT THE FLUE DAMPER IN THE FULL OPEN POSITION. FAILURE TO DO SO IS DANGEROUS TO YOUR HEALTH AND VOIDS ALL WARRANTIES.

H. **NOTE:** The Commonwealth of Massachusetts requires that the chimney flue damper, when used with gas logs, shall be welded open or completely removed.

I. Your appliance control system is a millivolt type. It consists of a pilot burner, a gas control valve/regulator, a thermopile, a piezo ignitor, and an ON/OFF rocker switch. See Figure 6 for control system wiring diagram.

J. **NOTE:** An Optional Remote Control Kit and Wall Switch Kit, for turning the burner ON/OFF are available. Detailed installation instructions are found in each kit.

K. Test fire the unit after referring to the **SAFETY INFORMATION** and **LIGHTING INSTRUCTIONS** found in Section 3 in this manual, or on the label plate assembly found on the gas-burner.

L. After the gas line installation is complete, all connections must be tightened and checked for leaks with a commercially-available, non-corrosive leak check solution. Be sure to rinse off all leak check solution following testing. Refer to Section 3, **OPERATING GUIDELINES** and **MAINTENANCE INSTRUCTIONS**.

M. Once the gas-burner is test fired and gas supply lines are purged, assemble the grate(s) and logs. Be certain to follow the Log Placement Instructions shipped with your unit. Remember to keep the Log Instructions along with this manual for future use.

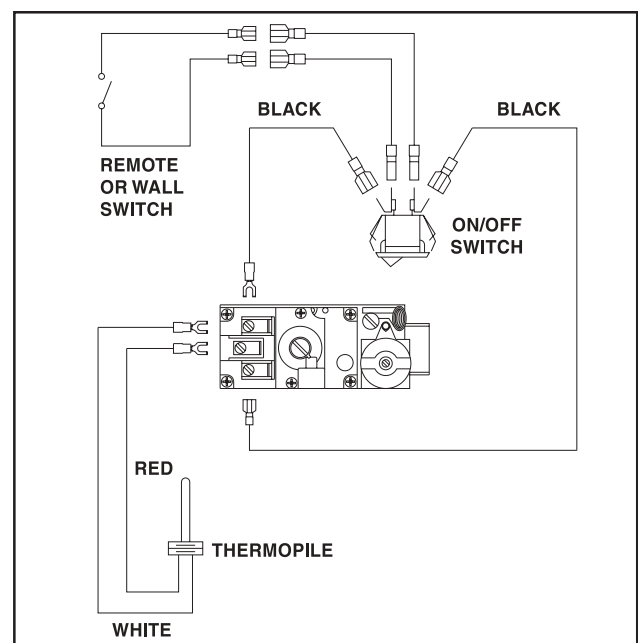


Figure 6

3.0 OPERATING GUIDELINES AND MAINTENANCE INSTRUCTIONS

Upon completing the gas line connection, a small amount of air will be in the lines. When first lighting the pilot light, it will take a few minutes for the lines to purge themselves of this air. Once the purging is complete, the pilot and burner will light and operate as indicated in the instruction manual. Subsequent lighting of the appliance will not require such purging.

WARNING:

Be sure fireplace screen or glass doors are in place when burning fireplace logs. **Unless other provisions for combustion air are provided, the screen or doors shall have an opening for introduction of combustion air.** THIS GAS LOG SET IS NOT DESIGNED TO OPERATE WITH AIR TIGHT GLASS DOORS. If gas odor is noticeable, turn control knob to "OFF" position and check all connections for leaks. **DO NOT USE OPEN FLAME. Adequate combustion and cooling air must be provided or the unit will not function properly.**

To obtain proper operation, it is imperative that the pilot and main burner flame characteristics are steady, not lifting or floating.

Typically, the top 3/8 inch (10mm) of the thermopile should be engulfed in the pilot flame (Figure 7).

Periodically remove the logs and examine the burner. If dirty, clean with a soft brush. Also examine the area around the burner air shutter and the pilot. Any dirt or lint in this area should be removed. This will ensure long life and trouble-free operation. When the appliance is put back in service, check the burner flame patterns with Figure 8.

The appliance and venting system should be inspected before initial use and inspected and cleaned at least annually by a qualified field service person.

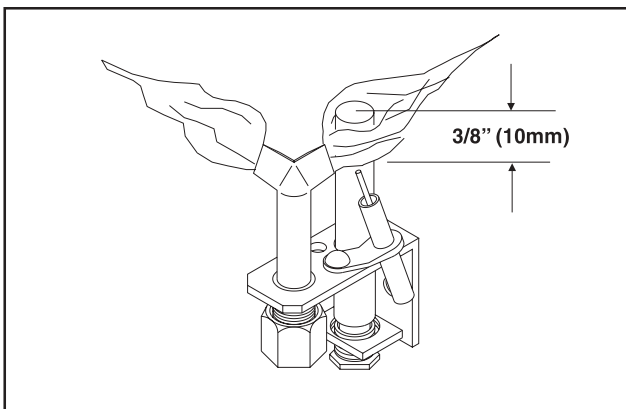


Figure 7

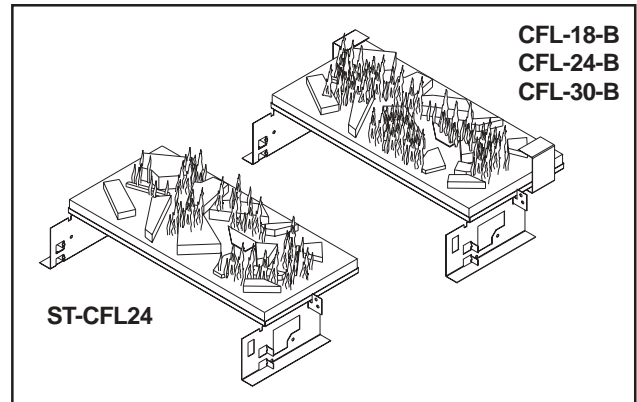


Figure 8

LPG (PROPANE) INFORMATION

THE FOLLOWING WARNING APPLIES TO INSTALLATIONS USING L.P. (PROPANE) GAS:

WARNING: To avoid possible injury, fire and explosion, please read and follow these precautions and all instructions on this appliance before lighting the pilot. This appliance uses L.P. (Propane) gas **which is heavier than air and will remain at floor level if there is a leak. Before lighting, smell at floor level and/or use other means** (such as using a commercially-available, non-corrosive leak check solution on all piping and connections, using a gas detector, etc.) **to check for gas leaks. NOTE: L.P. (Propane) gas can become odorless and CANNOT always be detected by smell.** If you smell gas, detect a gas leak, or suspect that a gas leak exists, follow these rules.

1. Get all people out of building.
2. **DO NOT** light matches. **DO NOT** turn electric lights or switches on or off in area. **DO NOT** use an electric fan to remove gas from area. **DO NOT** use a telephone inside the building.
3. Shut off gas at L.P. tank outside of building.
4. Telephone gas company and fire department and ask for instructions.

Before hanging up, give your name, address and phone number. **DO NOT** go back into building.

If your L.P. tank runs out of fuel, turn off gas at the appliance. After L.P. tank is refilled, appliance must be re-lit according to manufacturer's instructions. If the gas control has been exposed to **WATER** in any way, **DO NOT** try to use it. It must be replaced. **DO NOT** attempt repair on gas control or appliance.

Tampering is **DANGEROUS** and voids all warranties. Any component that is found to be faulty must be replaced with an approved component.

SAFETY INFORMATION

FOR YOUR SAFETY READ BEFORE LIGHTING

WARNING:

IF YOU DO NOT FOLLOW THESE INSTRUCTIONS EXACTLY, A FIRE OR EXPLOSION MAY RESULT CAUSING PROPERTY DAMAGE, PERSONAL INJURY, OR DEATH.

- A. This appliance has a pilot which must be lighted by hand. When lighting the pilot, follow these instructions exactly.
- B. BEFORE LIGHTING smell all around the appliance area for gas. Be sure to smell next to the floor because some gas is heavier than air and will settle on the floor.



WHAT TO DO IF YOU SMELL GAS

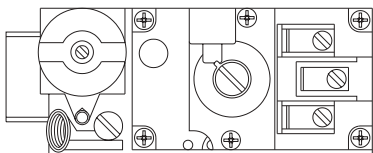
- Do not try to light any appliance.
- Do not touch any electric switch; do not use any phone in your building.
- Immediately call your gas supplier from a neighbor's phone. Follow the gas supplier's instructions.
- If you cannot reach your gas supplier, call the fire department.

- C. Use only your hand to push in or turn the gas control knob. Never use tools. If the knob will not push in or turn by hand, don't try to repair it, call a qualified service technician. Force or attempted repair may result in a fire or explosion.
- D. Do not use this appliance if any part has been under water. Immediately call a qualified service technician to inspect the appliance and to replace any part of the control system and any gas control which has been under water.

LIGHTING INSTRUCTIONS

LIGHTING INSTRUCTIONS

1. "STOP!" Read the safety information on previous page.
2. Open the control access cover (logs #3 and 4 in CFL models) or (logs #4 and 5 in ST-CFL model), refer to your Log Placement Instructions.
3. Turn the valve control knob to the "OFF" position. To do this, you must turn the knob clockwise  to the "Pilot" position, and then press in and continue turning clockwise  to the "OFF" position.

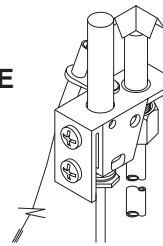


GAS CONTROL VALVE



NOTE: Knob cannot be turned from "PILOT" to "OFF" unless knob is pushed in slightly. Do not force.

4. WAIT FIVE (5) MINUTES TO CLEAR OUT ANY GAS. Then smell for gas, including near the floor. If you then smell gas, STOP! Follow "B" in the safety information previous page. If you don't smell gas, go to the next step.
5. The pilot should not require accessing for lighting purposes. The pilot is located at the end of the burner.


THERMOPILE



PILOT BURNER

6. To put the control in the "Pilot" position, turn the control knob counter-clockwise  to the "Pilot" position.
7. To light the pilot depress the control knob and then depress the red piezo button until it makes a clicking sound. It may be necessary to repeat this step. If the pilot does not light after 10 seconds, go back to step 3. The control knob should be held down for a MINUTE after pilot ignition.
 - If the control knob does not pop out when released, **STOP**-shut off the gas supply to the fireplace control valve, and **IMMEDIATELY** call your service technician or gas supplier.
 - If the pilot will not stay lit after two tries, turn the control knob to the "OFF" position and call your service technician or gas supplier.
8. After the pilot has been lit, the burner can be turned on by turning the knob counter-clockwise  to the "ON" position. Flip the ON/OFF switch to the "ON" position. (This is located to the right on the burner leg and behind the control access cover.)
9. Close control access cover.

TO TURN OFF GAS APPLIANCE

1. Turn ON/OFF switch to "OFF".
2. Open the control access cover.
3. Turn the valve control knob clockwise  to the "Pilot" position, then depress knob and continue turning to "OFF" position.
4. Close control access cover.

4.0 HIGH ELEVATION INSTALLATION

U.L. Listed gas appliances are tested and approved without requiring changes for elevations from 0 to 2,000 feet in the U. S. A. and in Canada.

When installing this appliance at an elevation above 2,000 feet, it may be necessary to decrease the input rating by changing the existing burner orifice to a smaller size. Input rate should be reduced by 4% for each 1000 feet above a 2000 foot elevation in the U.S.A. or 10%

for elevations between 2000 and 4500 feet in Canada. If the heating value of the gas has been reduced, these rules do not apply. To identify the proper orifice size, check with the local gas utility.

If installing this appliance at an elevation above 4,500 feet (in Canada), check with local authorities.

**LIMITED LIFETIME WARRANTY
HEAT & GLO GAS APPLIANCE PRODUCTS**



BASIC ONE-YEAR WARRANTY. HEAT & GLO, a brand of HEARTH & HOME TECHNOLOGIES INC., located at 20802 Kensington Boulevard, Lakeville, MN 55044, ("HEAT & GLO") warrants to the original owner that your new HEAT & GLO Gas Appliance (the "Product") will be free from defects in materials and workmanship for a period of one year from the date of installation. During the first year, HEAT & GLO will replace or repair, at its discretion, any defective components at its sole cost and expense, including payment of all reasonable labor costs incurred in replacing or repairing such components. This basic warranty is subject to the conditions, exclusions and limitations described below.

EXTENDED LIFETIME COVERAGE. HEAT & GLO warrants that the firebox, heat exchanger, log(s), and burner will not be defective in material or workmanship during the period the Product is owned by the original owner, subject to the following conditions, exclusions and limitations described below.

CONDITIONS, EXCLUSIONS AND LIMITATIONS:

1. This warranty applies to the original owner only and is nontransferable.
2. This warranty applies only to Products installed in the United States of America or Canada.
3. This warranty is limited to the replacement or repair of defective components or workmanship and HEAT & GLO may fully discharge all obligations under this warranty by repairing or replacing, at its discretion, the defective components. The maximum amount recoverable under this warranty is limited to the purchase price of the Product and, if HEAT & GLO is unable to provide replacement or repair in an expedient and cost-effective manner, HEAT & GLO may discharge all obligations under this warranty by refunding the purchase price of the Product. **IN NO EVENT SHALL HEAT & GLO BE LIABLE FOR ANY INCIDENTAL OR CONSEQUENTIAL DAMAGES CAUSED BY DEFECTS IN THE PRODUCT.**
4. Any labor and related repair charges relating to the costs and expenses of replacing or repairing defective components under the Limited Lifetime Warranty are not covered by this warranty, except as provided for under the Basic One-Year Warranty.
5. Components and parts made by other manufacturers, whether sold with the Product or added thereafter, are NOT covered by this warranty unless expressly authorized and approved by HEAT & GLO in writing.
6. Any damages caused by environmental conditions, inadequate ventilation or drafting caused by tight sealing construction of the structure, air handling devices such as exhaust fans or forced air furnaces, or other such causes are not covered by this warranty.
7. This warranty will be void if:
 - a) The Product is not installed, operated and maintained in compliance with local building codes and with the instructions in the Installer's Guide, Owner's Guide and Listing Agent Identification Label furnished with the Product.
 - b) Any parts or components made by other manufacturers are added or used in the Product, unless expressly authorized and approved by HEAT & GLO in writing.
 - c) Any service work is performed on the Product by anyone other than an authorized HEAT & GLO representative.
 - d) The Product is damaged due to shipping, improper handling, accident, abuse or misuse.
 - e) Fuels other than those specified in the Installer's Guide and Owner's Guide are used.
 - f) Modification was made to the Product which was not expressly authorized and approved by HEAT & GLO in writing.

EXCEPT TO THE EXTENT PROVIDED BY LAW, HEAT & GLO MAKES NO EXPRESS WARRANTIES OTHER THAN THE WARRANTY SPECIFIED HEREIN. THE DURATION OF ANY IMPLIED WARRANTY IS LIMITED TO THE DURATION OF THE WARRANTY SPECIFIED ABOVE.

Some states do not allow limitations on how long an implied warranty lasts, or do not allow exclusion or limitation of incidental or consequential damages, so those limitations may not apply to you. This warranty gives you specific legal rights, and you may also have other rights which vary from State to State.

If warranty service is needed you should contact your installing dealer and if the installing dealer is unable to provide necessary parts or components, contact the nearest authorized HEAT & GLO dealer or supplier.

NOTES TO CUSTOMER:

1. In order to insure proper installation, operation and maintenance HEAT & GLO strongly recommends annual servicing by an authorized HEAT & GLO dealer.
2. Please complete this information and retain this warranty in a safe place for future reference: Installation Date: _____
Model #: _____ Serial #: _____ Installing Contractor: _____
3. HEAT & GLO reserves the right to make changes at any time, without notice, in design, material, specifications and prices of the Product. HEAT & GLO also reserves the right to discontinue styles and products.