



**This appliance has been retired.
Service parts pages within have been removed.
For replacement parts, please refer to the individual
service parts list located on the brand websites.**

U.S. PATENTS 4,875,464; 5,000,162; AND PATENTS PENDING

**MODELS RFLS-NG NATURAL GAS
FLS-18NG**

**MODELS RFLS-LP LP GAS (PROPANE)
FLS-18LP**

INSTALLATION AND OPERATION INSTRUCTIONS



**FIREPLACE GAS LOGS WITH
GLOWING EMBERS
A.G.A. DESIGN CERTIFIED
AND CGA CERTIFIED**



THIS MANUAL MUST BE USED FOR INSTALLATION AND RETAINED BY THE HOMEOWNER FOR OPERATION AND MAINTENANCE.

**GASTECHNOLOGIES®
800 W. JEFFERSON STREET, LAKE CITY, MN 55041 1-800-393-9484**



INSTALLATION AND OPERATION INSTRUCTIONS

PLEASE READ THIS MANUAL BEFORE INSTALLING

MODELS RFLS (NG & LP) AND FLS-18 (NG & LP) ARE A.G.A. DESIGN CERTIFIED AND CGA CERTIFIED FOR NATURAL GAS OR PROPANE.

FOR YOUR SAFETY

DO NOT STORE OR USE GASOLINE OR OTHER FLAMMABLE VAPORS AND LIQUIDS IN THE VICINITY OF THIS OR ANY OTHER APPLIANCE.

FOR YOUR SAFETY

WHAT TO DO IF YOU SMELL GAS:

- ◆ Extinguish any open flame.
- ◆ Do not try to light any appliance.
- ◆ Do not touch any electrical switch; do not use any phone in your building.
- ◆ Immediately call your gas supplier from a neighbor's phone. Follow the gas supplier's instructions. If you cannot reach your gas supplier, call the Fire department.

WARNING: IMPROPER INSTALLATION, ADJUSTMENT, ALTERATION, SERVICE OR MAINTENANCE CAN CAUSE INJURY OR PROPERTY DAMAGE. REFER TO THIS MANUAL. FOR ASSISTANCE OR ADDITIONAL INFORMATION CONSULT A QUALIFIED INSTALLER, SERVICE AGENCY OR THE GAS SUPPLIER.

Always keep the appliance area clear and free from combustible materials, gasoline, and other flammable vapors and liquids.

IMPORTANT: Read all instructions carefully before starting installation. Failure to follow these installation instructions may result in a possible fire hazard and will void the warranty.

Save this Manual for future reference.

Copyright 1995, Gas Technologies®, 800 W. Jefferson Street, Lake City, MN 55041 1-800-393-9484
Printed in the U.S.A.

Table of Contents

1.0	INTRODUCTION	4
2.0	GAS LINE CONNECTION	4
3.0	ASSEMBLY	5
4.0	OPERATING GUIDELINES AND MAINTENANCE INSTRUCTIONS	6
	LP (PROPANE) INFORMATION	7
	SAFETY INFORMATION	8
	LIGHTING INSTRUCTIONS	9
5.0	HIGH ELEVATION INSTALLATION.....	10
6.0	REPLACEMENT PARTS	11-13
	LIMITED WARRANTY POLICY	14

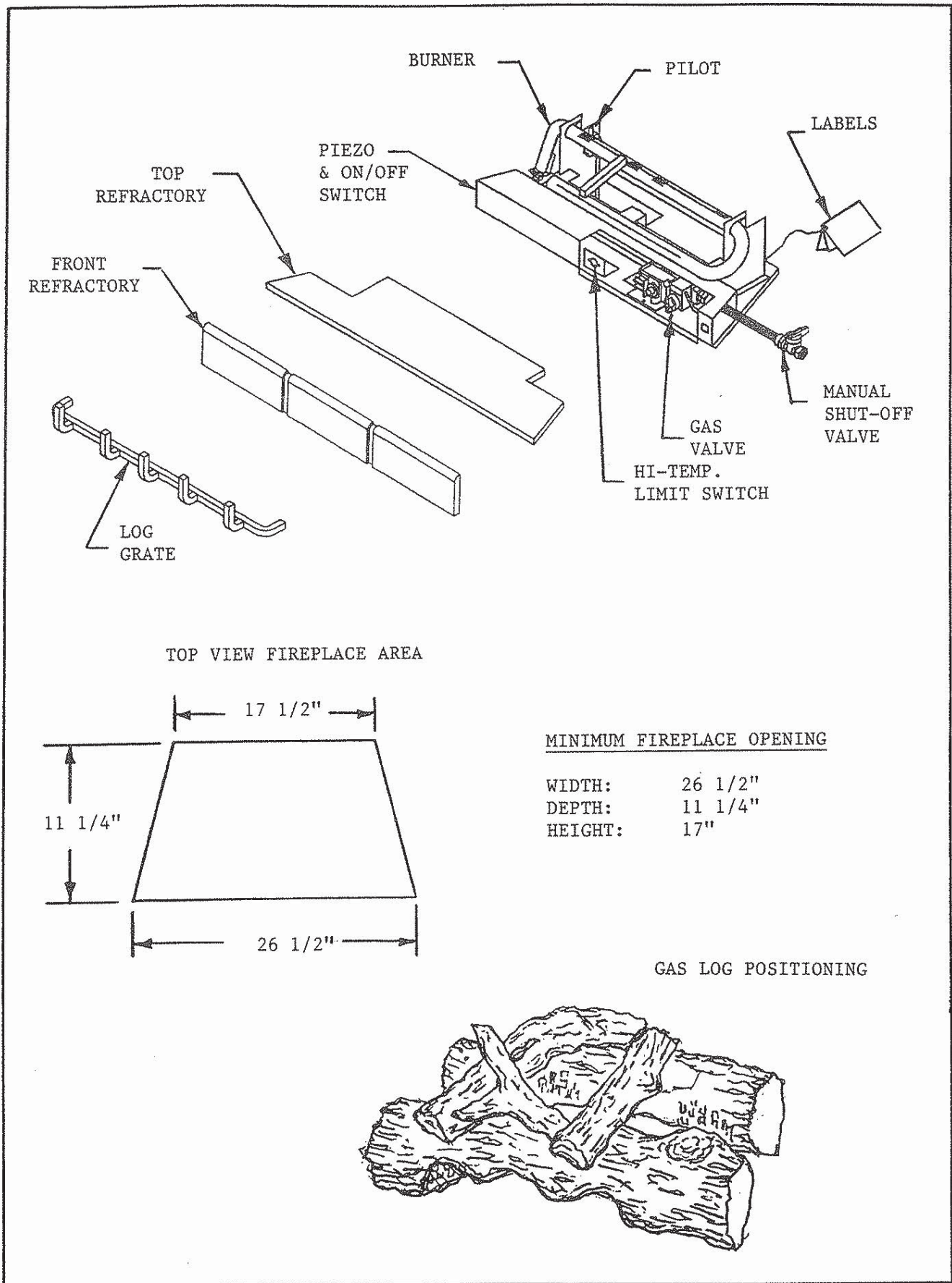


FIGURE 1

1.0 INTRODUCTION

Models RFLS (NG & LP) and FLS-18 (NG & LP) Gas Log Sets are Decorative Gas Appliances for Installation in a Solid-fuel Burning Fireplace (Minimum fireplace size: height 17", width 26 1/2", depth 11 1/4").

WARNING: This log set must **NOT** be installed in an unvented appliance.

This log set is to be installed only in a solid-fuel burning fireplace with a working flue and one constructed of noncombustible material. The minimum permanent vent opening provided by the fireplace chimney damper to vent the flue products must not be less than 48 square inches. The chimney damper **MUST** be fixed in a manner to maintain the minimum permanent vent opening. This may be accomplished by fastening the damper stop clamp provided to the edge of the damper to prevent its closing.

WARNING: OPEN THE CHIMNEY DAMPER TO ITS **FULLY OPEN** POSITION WHEN BURNING THIS GAS LOG SET.

WARNING: LOGS MUST NEVER BE BURNED WITHOUT THE FLUE DAMPER IN THE FULL OPEN POSITION. FAILURE TO DO SO IS DANGEROUS TO YOUR HEALTH AND VOIDS ALL WARRANTIES.

WARNING: ALL GAS APPLIANCES PRODUCE SOME CARBON MONOXIDE WHEN OPERATED. CARBON MONOXIDE IS A COLORLESS, ODORLESS, POISONOUS GAS. ADEQUATE PROVISIONS MUST BE MADE TO PROVIDE COMBUSTION AIR FOR THIS GAS LOG SET. IF OUTSIDE AIR IS **NOT INCLUDED** IN THE FIREPLACE, IT MAY BE NECESSARY THAT AN ADDITIONAL COMBUSTION AIR SOURCE BE PROVIDED.

CAUTION: CHECK THE CONSTRUCTION OF THE FIREPLACE BEFORE INSTALLING THE GAS LOG SET. THE AREA OF THE FLUE SHOULD **NOT** BE LESS THAN 1/11 THE AREA OF THE FIREPLACE OPENING. NON-AIRTIGHT GLASS DOORS SHOULD BE INSTALLED ON THE FIREPLACE IF THE AREA OF THE FLUE IS LESS THAN 1/11 THE AREA OF THE FIREPLACE OPENING.

CAUTION: To minimize the possibility of spillage and to maximize proper draft, position the log set as close to the back of the fireplace as possible.

The installation, including provisions for combustion and ventilation air, must conform with the current American National Standard, National Fuel Gas Code ANSI Z223.1 (in the United States), the current CAN/CGA B-149 Installation Code (in Canada) and applicable local building codes.

These models can be installed in a bedroom (in the United States) which has a total volume of unconfined space appropriate to the particular installation. Refer to the National Fuel Gas Code ANSI Z223.1/NFPA 54- (current edition). The Uniform Mechanical Code - (current edition), and Local Building Officials for the options allowed in obtaining an effective bedroom volume of unconfined space.

Always keep the appliance area clear and free from combustible materials, gasoline, and other flammable vapors and liquids.

Do not use this appliance if any part has been under water. Immediately call a qualified service technician to inspect the unit and to replace any part of the control system and any gas control which has been underwater.

WARNING: THIS UNIT IS NOT FOR USE WITH SOLID FUEL.

2.0 GAS LINE CONNECTION

Run proper size gas line into fireplace. A 1/2 inch gas line, with a 3/8 inch reduction for hook-up, is usually sufficient for the Gas Log set; however, if the run is unusually long, a larger line may be required. Contact your local gas company or Department of Building and Safety if there are any questions.

For purposes of input adjustment, the inlet gas supply pressure, measured in inches of water column, shall be 6.5 minimum and 10.0 maximum for natural gas or 11.0 minimum and 13.0 maximum for LP gas. Manifold (outlet) pressure should be 3.5 inches w.c. for natural gas and 10.0 inches w.c. for LP gas.

CAUTION: WHEN INSTALLING THIS LOG SET IN A FACTORY BUILT FIREPLACE, BE CERTAIN TO CONSULT THE FIREPLACE INSTALLATION MANUAL. ALL KNOCKOUTS IN THE FIREPLACE THROUGH WHICH THE GAS SUPPLY LINE IS RUN, MUST BE RESEALED WITH INSULATION AFTER THE GAS LINE IS IN PLACE.

The appliance and its individual shut off valve must be disconnected from the gas supply piping system during any pressure testing of the system at test pressures in excess of 1/2 psig.

This appliance must be isolated from the gas supply piping system by closing its individual manual shut off valve during any pressure testing of the gas supply piping system at test pressures equal to or less than 1/2 psig.

NOTE: THE GAS SUPPLY LINE SHOULD BE PURGED OF ANY TRAPPED AIR PRIOR TO THE FIRST FIRING OF THE UNIT.

3.0 ASSEMBLY

The logs and the burner/grate assembly are factory assembled and are shipped in one carton.

The shipping carton also contains the top and front fiber refractory pieces which must be assembled on the unit.

- A. Remove the gas log set and refractory pieces and check for damage. **DO NOT** install damaged components. See Figure 1. The refractory pieces and logs are fragile—use care when handling.
- B. Install the gas log set into a properly vented factory-built or masonry fireplace. Place the log set as far back as possible and center it, left to right in the fireplace.

- C. Connect the incoming gas supply line to the 1/2-inch manual shut-off valve of the gas log set. This shut-off valve is at the end of a listed flexible gas connector attached to the log set gas control valve. Make certain **ALL** gas connections are tight and use soap water to test for leaks. **DO NOT USE AN OPEN FLAME.**

- D. Purge the gas supply line of any trapped air prior to the first firing of the unit.

CAUTION: During the initial purging and subsequent lightings, **NEVER** allow the gas control valve knob to remain depressed in the "PILOT" position without pushing the red ignitor button at least once every second.

- E. A damper stop clamp with set screw is provided to prevent full closure of the fireplace damper blade. Attach the clamp to the edge of the damper blade with pliers or wrenches. If the damper stop supplied does not fit the application, use a permanent means that will keep the damper open to a **MINIMUM** of 48 square inches. See Figure 2.

WARNING: OPEN THE CHIMNEY DAMPER TO ITS FULLY OPEN POSITION WHEN BURNING THIS GAS LOG SET.

WARNING: LOGS MUST NEVER BE BURNED WITHOUT THE FLUE DAMPER IN THE FULL OPEN POSITION. FAILURE TO DO SO IS DANGEROUS TO YOUR HEALTH AND VOIDS ALL WARRANTIES.

NOTE: The State of Massachusetts requires that the chimney flue damper, when used with gas logs, shall be welded open or completely removed.

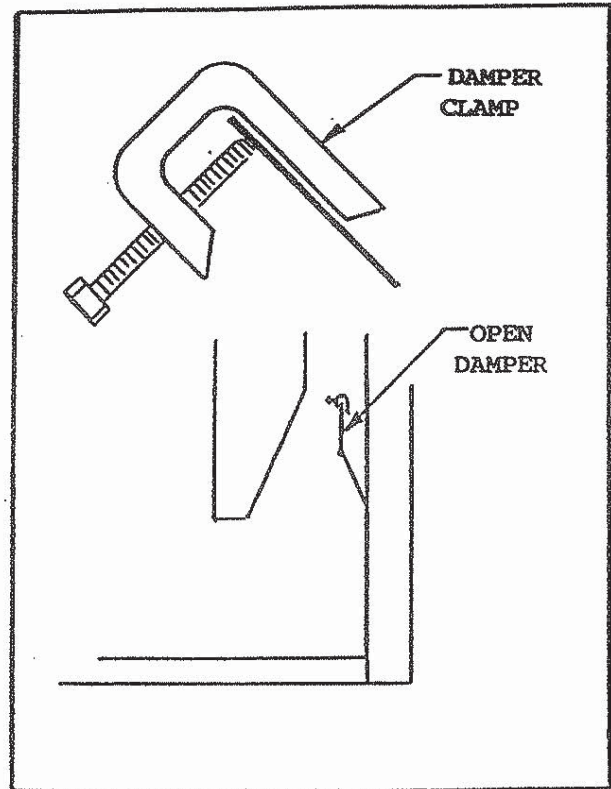


FIGURE 2

- F. Your appliance control system is a millivolt type. It consists of a pilot burner, a gas control valve/regulator, a thermopile, a piezo ignitor, and an ON/OFF rocker switch. See Figure 3 for control system wiring diagram.

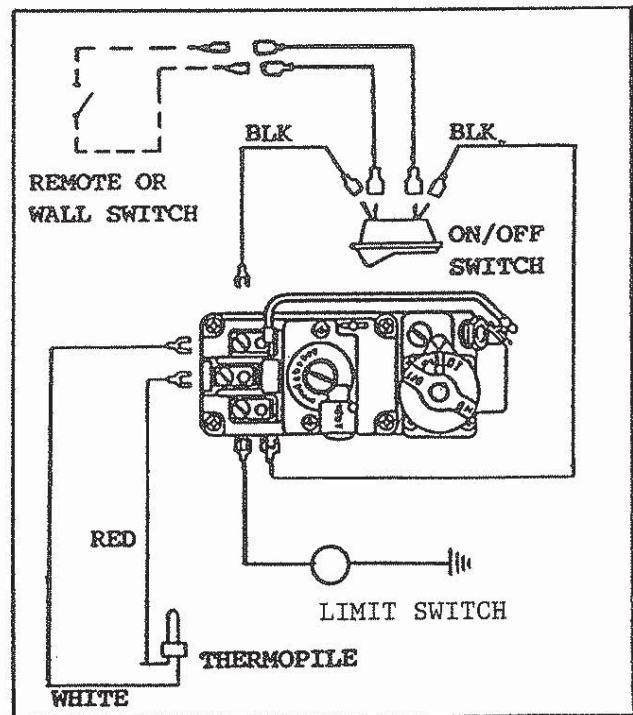


FIGURE 3

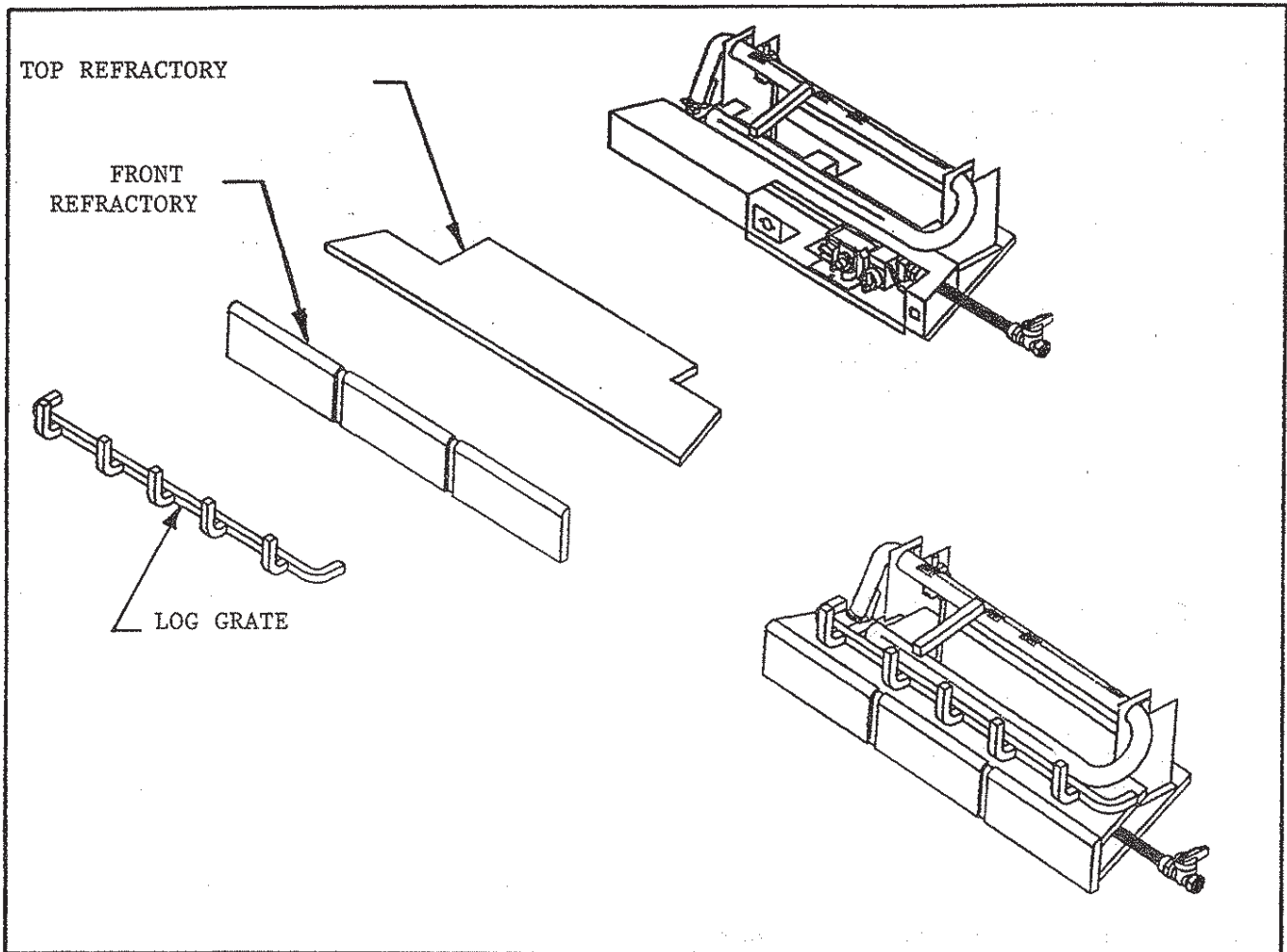


FIGURE 4

NOTE: An Optional Remote Control Kit (RCH-09A) and Wall Switch Kit (WSK-21), for turning the burner ON/OFF are available. Detailed installation instructions are found in each kit.

- G. Carefully install the top refractory piece by sliding it beneath the front portion of the burner. Position this piece such that it is flush with the front edge of the sheetmetal enclosure, and centered from left to right. See Figure 4.
- H. Test fire the unit after referring to the **SAFETY INFORMATION** and **LIGHTING INSTRUCTIONS** found in Section 4.0 of this manual.
- I. Carefully install the front refractory piece on the gas log set. See Figure 4.

4.0 OPERATING GUIDELINES AND MAINTENANCE INSTRUCTIONS

Upon completing the gas line connection, a small amount of air will be in the lines. When first lighting the pilot light, it will take a few minutes for the lines to purge themselves of this air. Once the purging is complete,

the pilot and burner will light and operate as indicated in the instruction manual. Subsequent lighting of the appliance will not require such purging.

WARNING:

Be sure fireplace screen or glass doors are in place when burning fireplace logs. **Unless other provisions for combustion air are provided, the screen or doors shall have an opening for introduction of combustion air. THIS GAS LOG SET IS NOT DESIGNED TO OPERATE WITH AIR TIGHT GLASS DOORS.** If gas odor is noticeable, turn control knob to "OFF" position and check all connections for leaks. **DO NOT USE OPEN FLAME. Adequate combustion and cooling air must be provided or the unit will not function properly.**

To obtain proper operation, it is imperative that the pilot and main burner flame characteristics are steady, not lifting or floating.

Typically, the top 3/8 inch of the thermopile should be engulfed in the pilot flame (Figure 5).

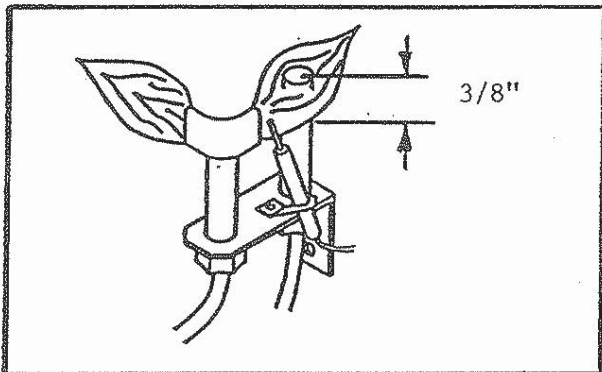


FIGURE 5

Periodically remove the logs and examine the burner. If dirty, clean with a stiff brush. Also examine the area around the burner air shutter, and the pilot. Any dirt or lint in this area should be removed. This will ensure long life and trouble free operation. When the appliance is put back in service, check the burner flame patterns with Figure 6.

The appliance and venting system should be inspected before initial use and inspected and cleaned at least annually by a qualified field service person.

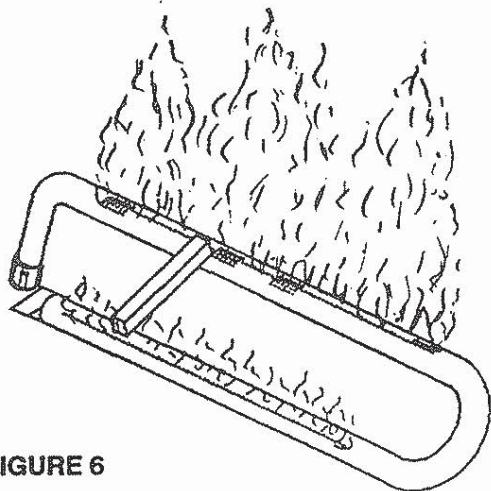


FIGURE 6

LPG (PROPANE) INFORMATION

THE FOLLOWING WARNING APPLIES TO INSTALLATIONS USING L.P. (PROPANE) GAS:

WARNING: To avoid possible injury, fire and explosion, please read and follow these precautions and all instructions on this appliance before lighting the pilot. This appliance uses L.P. (Propane) gas which is heavier than air and will remain at floor level if there is a leak. Before lighting, smell at floor level and/or use other means (such as using a soap solution on all piping and connections, using a gas detector, etc.) to check for gas leaks. **NOTE:** L.P. (Propane) gas can become odorless and **CANNOT** always be detected by smell. If you smell gas, detect a gas leak, or suspect that a gas leak exists, follow these rules.

1. Get all people out of building.
2. **DO NOT** light matches. **DO NOT** turn electric lights or switches on or off in area. **DO NOT** use an electric fan to remove gas from area. **DO NOT** use a telephone inside the building.
3. Shut off gas at L.P. tank outside of building.
4. Telephone gas company and fire department. Ask instructions. Before hanging up, give your name, address, and phone number. **DO NOT** go back into building.

If your L.P. tank runs out of fuel, turn off gas at the appliance. After L.P. tank is refilled, appliance must be re-lit according to manufacturer's instructions. If the gas control has been exposed to **WATER** in any way, **DO NOT** try to use it. It must be replaced. **DO NOT** attempt repair on gas control or appliance.

Tampering is **DANGEROUS** and voids all warranties. Any component that is found to be faulty, must be replaced with an approved component.

SAFETY INFORMATION

FOR YOUR SAFETY READ BEFORE LIGHTING

WARNING: IF YOU DO NOT FOLLOW THESE INSTRUCTIONS EXACTLY, A FIRE OR EXPLOSION MAY RESULT CAUSING PROPERTY DAMAGE, PERSONAL INJURY, OR LOSS OF LIFE.



- A. This appliance has a pilot. When lighting the pilot, follow these instructions exactly.
- B. BEFORE LIGHTING smell all around the appliance area for gas. Be sure to smell next to the floor because some gas is heavier than air and will settle on the floor.

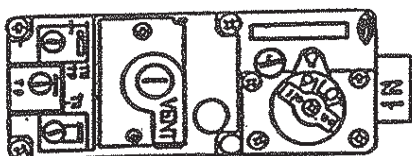
WHAT TO DO IF YOU SMELL GAS

- Do not try to light any appliance.
- Do not touch any electric switch; do not use any phone in your building.
- Immediately call your gas supplier from a neighbor's phone. Follow the gas supplier's instructions.
- If you cannot reach your gas supplier, call the fire department.

- C. Use only your hand to push in or turn the gas control knob. Never use tools. If the knob will not push in or turn by hand, don't try to repair it. Call a qualified service technician. Forced or attempted repair may result in a fire or explosion.
- D. Do not use this appliance if any part has been under water. Immediately call a qualified service technician to inspect the appliance and to replace any part of the gas control system which has been under water.

LIGHTING INSTRUCTIONS

1. "STOP!" Read the safety information on previous page.
2. Open the control access cover.
3. Turn the valve control knob to the "OFF" position. To do this, you must turn the knob clockwise  to the "Pilot" position, and then press in and continue turning clockwise  to the "OFF" position.



GAS CONTROL VALVE



NOTE: Knob cannot be turned from "PILOT" to "OFF" unless knob is pushed in slightly. Do not force.

4. **WAIT FIVE (5) MINUTES TO CLEAR OUT ANY GAS.** Then smell for gas, including near the floor. If you then smell gas, **STOP!** Follow "B" in the safety information above. If you don't smell gas, go to the next step.
5. The pilot should not require accessing for lighting purposes. The pilot is located at the left end of the burner.


THERMOPILE



PILOT BURNER

6. To put the control in the "Pilot" position, turn the control knob counter-clockwise  to the "Pilot" position.
7. To light the pilot depress the control knob and then depress the red piezo button until it makes a clicking sound. It may be necessary to repeat this step. If the pilot does not light after 10 seconds, go back to step 3. The control knob should be held down for a **MINUTE** after pilot ignition.
 - If the control knob does not pop out when released, **STOP**-shut off the gas supply to the fireplace control valve, and **IMMEDIATELY** call your service technician or gas supplier.
 - If the pilot will not stay lit after two tries, turn the control knob to the "OFF" position and call your service technician or gas supplier.
8. After the pilot has been lit, the burner can be turned on by turning the knob counter-clockwise  to the "ON" position. Flip the ON/OFF switch to the "ON" position.
9. Close control access cover.

TO TURN OFF GAS APPLIANCE

1. Open the control access cover.
2. Turn ON/OFF switch to "OFF".
3. Turn the valve control knob clockwise  to the "Pilot" position, then depress knob and continue turning to "OFF" position.
4. Close control access cover.

5.0 HIGH ELEVATION INSTALLATION

A.G.A. Design Certified units are tested and approved for elevations from 0-2000 feet. CGA approved units are certified for elevations from 0-4500 feet.

When installing this unit at an elevation above 2000 feet, (in the United States) it may be necessary to decrease the input rating by changing the existing burner orifice to a smaller size. Input should be reduced 4 percent for each 1000 feet above sea level. Check with the local gas utility for proper orifice size.

When installing this unit at an elevation between 2000-4500 feet (in Canada) the input rating must be reduced by 10 percent.

When installing this at an elevation above 4500 (in Canada), check with local authorities.

Consult your local gas company for assistance in determining the proper orifice for your location.

LIMITED 10 YEAR WARRANTY HEAT-N-GLO GAS FIREPLACE PRODUCTS

In order to presumptively establish the dates to which your HEAT-N-GLO Limited 10 Year Warranty runs, you must mail the completed warranty card to HEAT-N-GLO FIREPLACE PRODUCTS, INC., 6665 West Highway 13, Savage, MN 55378, within 60 days of the date of fireplace installation. If you fail to do so, you may be required to prove the date of installation before warranty work can be performed.

The warranty exclusions and limitations of liability are effective upon installation of the fireplace.

Subject to the conditions set forth herein, HEAT-N-GLO FIREPLACE PRODUCTS, INC. ("HEAT-N-GLO") extends the following warranty with respect to HEAT-N-GLO Gas Fireplace Products.

If HEAT-N-GLO is reasonably satisfied that any part or portion of the fireplace covered by this Limited Warranty is defective in material or workmanship under normal use and service as described in the Operating Instructions, HEAT-N-GLO will take the following actions:

1. If the defect is reported during the first year from the date of installation (stainless steel burners and fiber logs are covered for 3 years), HEAT-N-GLO will replace or repair the defective components at its sole expense. The decision whether to replace a component shall be made at HEAT-N-GLO's sole discretion. This Limited Warranty does not cover components broken during shipping, misuse or careless handling. HEAT-N-GLO shall be not responsible for any indirect, incidental, or consequential damages or for any costs other than those incurred by HEAT-N-GLO to repair or replace the defective component. If components (including venting) other than factory approved components are used, all warranty and liability on the fireplace is voided. **Defects reported after the first year will not be covered by warranty unless they fall within the purview of paragraph 2 or 3 below.**
2. If the following defects are reported during the second year after the date of installation, HEAT-N-GLO will supply replacement parts at the current wholesale price: defective electrical or manual components, optional components or accessories, and glass panels (not including glass panels broken during misuse or careless handling). HEAT-N-GLO shall not be responsible for any labor, transportation or other costs. Furthermore, it shall not be liable for any indirect, incidental or consequential damages.
3. HEAT-N-GLO will replace or repair a defective firebox or heat exchanger, at any time during the 10 years from the date of installation. The decision whether to replace the defective component shall be made at HEAT-N-GLO's sole discretion. HEAT-N-GLO shall not be responsible for any indirect, incidental or consequential damages or for any costs other than those incurred by HEAT-N-GLO to repair or replace the defective component.

This Limited Warranty is the exclusive remedy available to you. If HEAT-N-GLO cannot effectively resolve a warranty problem in an expedient and cost-effective manner, it can discharge its entire warranty liability by refunding the price of the product to you.

Products made by other manufacturers, whether sold with the fireplace or added thereafter, are NOT covered by this Limited Warranty. The use of other unauthorized components will make this warranty null and void. This Limited Warranty will also be void if the appliance is not installed by a qualified installer in accordance with the Installation Instructions. Furthermore, the Limited Warranty will be void if the fireplace is not operated, at all times, according to the Operating Instructions furnished with the fireplace. Any service work must be performed by authorized service representatives.

EXCEPT TO THE EXTENT PROVIDED BY LAW, NO OTHER EXPRESS OR IMPLIED WARRANTIES, INCLUDING WARRANTIES OF MERCHANTABILITY OR FITNESS FOR A PARTICULAR PURPOSE, SHALL APPLY TO THE FIREPLACE PRODUCT. In States that do not allow limitations on how long an implied warranty lasts, or do not allow exclusion of indirect damages, those limitations or exclusions may not apply to you. You may also have additional rights not covered in this Limited Warranty.

HEAT-N-GLO reserves the right to make changes at any time, without notice, in design, material, specifications and prices. It also reserves the right to discontinue styles and products.