

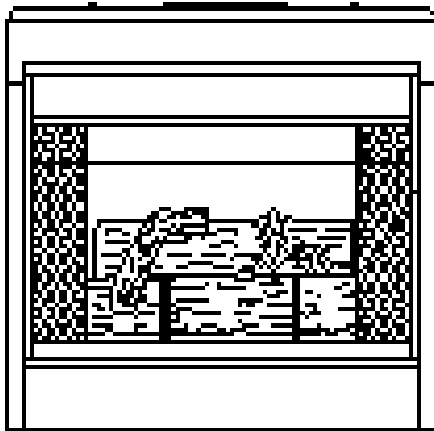
INSTALLATION

INSTALLATION INSTRUCTIONS - G270 SERIES

B - VENT GAS APPLIANCE



**Scroll to Page 14o for the
“Operating and
Maintenance Instructions.”**



Read these Installation Instructions completely before beginning installation. Failure to follow them could cause an appliance malfunction resulting in serious injury and/or property damage.

TABLE OF CONTENTS

A. Preparation.....	2i
B. Location and Clearances.....	3i
C. Framing.....	4i
D. Setting The Unit.....	5i
E. Venting.....	5i
F. Utilities.....	8i
G. Finishing.....	11i
H. Firebox Preparation.....	11i

The G270 B-Vent Gas Appliance

FOR YOUR SAFETY

What to do if you smell gas:

- Do not try to light any appliance.
- Do not touch any electrical switch.
- Do not use any phone in your building.
- Immediately call your gas supplier from a neighbor's phone. Follow the gas supplier's instructions.
- If you cannot reach your gas supplier, call the fire department.

FOR YOUR SAFETY

Do not store or use gasoline or other flammable vapors and liquids in the vicinity of this or any other appliance.

WARNING!

Improper installation, adjustment, alteration, service or maintenance can cause injury or property damage. Refer to this manual. For assistance or additional information, consult a qualified installer, service agency or the gas supplier.

A. PREPARATION

U.S. and Canada Certification.

The G270 Gas Appliance has been tested in accordance with the ANSI standard Z21.50b-1996 in the United States. In Canada, the current CAN/CGA M2.22-M96 and have been LISTED by Underwriters Laboratories Inc. for installation as described in this manual. All components are UL, AGA, CGA or CSA safety certified.

Local Codes.

This installation must conform with local codes. In the absence of local codes comply with the National Fuel Gas Code, ANSI Z223.1-latest edition, in the U.S.A. and the CAN/CGA B149, Installation Codes, in Canada.

For assistance during installation contact your local dealer or contact Heatilator Customer Relations Department, 1915 W. Saunders Street, Mt. Pleasant, Iowa 52641.

HEATILATOR® is a registered trademark of Heatilator, a Division of Hearth Technologies Inc.

We strongly recommend that you DO NOT install B-Vent Gas Appliances in strong negative air locations, such as a basement or a public facility. Living rooms with cathedral ceilings could be susceptible to a negative air situation, but such installations can be overcome through raising the termination, depending on specific installations. This fireplace uses room air for normal operation and could have problems establishing a positive draft in negative air locations. In lieu, we recommend a direct vent appliance.

G270 Nomenclature

Catalog #	Description
G270	Standing Pilot, Natural Gas
G270L	Standing Pilot, L.P. Gas
G270E	Electronic Ignition, Natural Gas
G270LE	Electronic Ignition, L.P. Gas
G270M	Standing Pilot, Natural Gas, Millivolt System
G270LM	Standing Pilot, L.P. Gas, Millivolt System
Catalog #	Optional Components
FF270*	Glass Doors and Surround Kit
RC4	Remote Control Kit - Millivolt Valve
RC5	Remote Control Kit - Electronic Ignition
RC6	Remote Control Kit - Millivolt Valve - Battery Operated

*FF270 is not compatible with units with Date Codes prior to 54195.

Note: Minimum and maximum clearances must be maintained at all times. Illustrations throughout these instructions reflect typical installations and are for design purposes only. Actual installation may vary slightly due to individual design preferences.

The illustrations and diagrams used throughout these installation instructions are not drawn to scale.

Tools and building supplies normally required for installation:

Tools	Building Supplies
Saw	Wall-finishing materials
Pliers	Framing material
Hammer	Fireplace surround
Phillips screwdriver	Caulking material
Tape measure	
Plumb line	
Level	
Electrical drills/bits	
Square	
Gloves	

B. LOCATION AND CLEARANCES (In inches)

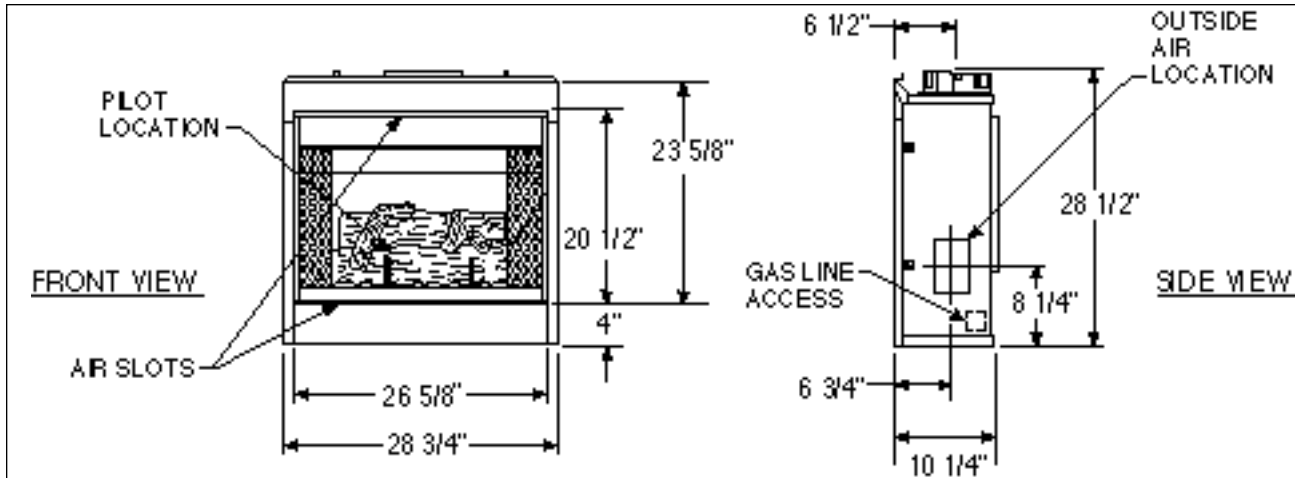


Figure 1 - Unit Dimensions

DUE TO HIGH TEMPERATURES, THE APPLIANCE SHOULD BE LOCATED OUT OF TRAFFIC AND AWAY FROM FURNITURE AND DRAPERIES.

1. APPLIANCE LOCATIONS AND SPACE REQUIREMENTS

Figure 2 illustrates a variety of ways the appliance may be located in a room. The G270 may be installed directly on the floor or raised on a hearth.

2. CLEARANCES

1. For unit:	
Top of stand-offs	0"
Floor	0"
Back of unit	1"
Side	1"
Face to ceiling	30"

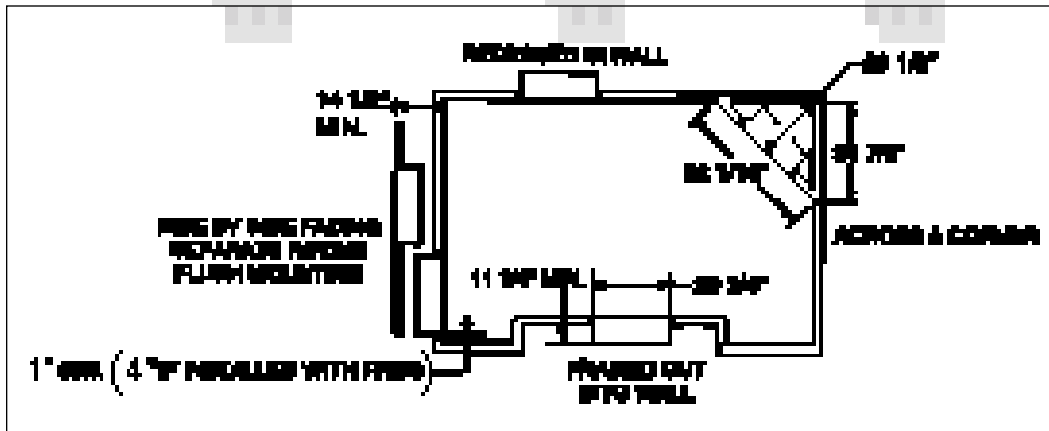



Figure 2
Appliance Locations

C. FRAMING

CAUTION
WEAR GLOVES AND SAFETY GLASSES FOR PROTECTION.

 Figure 3a shows a typical framing of this appliance using combustible materials. Figure 3b shows the mantel heights for mantel projections. All required clearances to combustibles must be adhered to.

WARNING - RISK OF FIRE!
ALWAYS MAINTAIN MINIMUM AIR SPACE CLEARANCES OR GREATER AROUND THE APPLIANCE AND CHIMNEY SYSTEM.

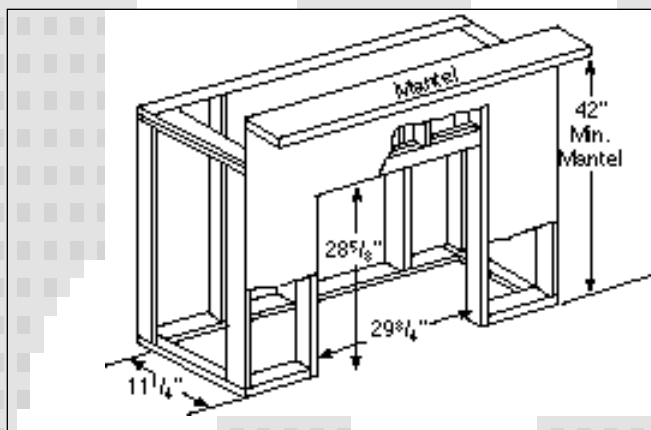


Figure 3a - Framing

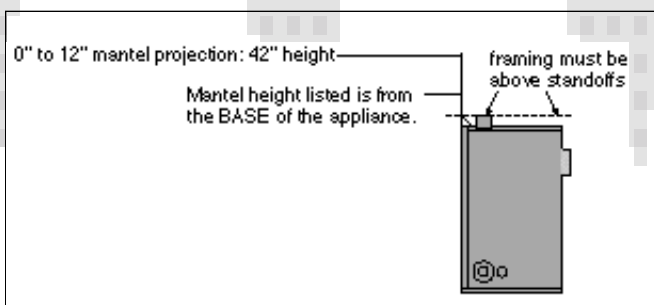


Figure 3b - Framing

CAUTION
PROVIDE ADEQUATE CLEARANCES AROUND THE AIR OPENINGS INTO THE COMBUSTION CHAMBER AND ADEQUATE ACCESSIBILITY CLEARANCES FOR SERVICING AND PROPER OPERATION.

D. SETTING THE UNIT

1. Positioning the Firebox.

This appliance may be placed on a smooth combustible or non-combustible, continuous flat surface. When the appliance is installed directly on carpeting, tile or other combustible material other than wood flooring, the appliance shall be installed on a metal or wood panel extending the full width and depth of the appli-

ance. Slide the unit into position and level the appliance from side-to-side and front-to-back. Shim with non-combustible material as necessary.

Secure the appliance by bending out the Nailing Flanges on each side of the appliance and nail to Framing. The Nailing Flanges have been positioned 5/8" back from the front of the unit to allow the addition of drywall.

E. VENTING

WARNING - RISK OF FIRE!
AIR SPACE CLEARANCES MUST BE MAINTAINED AT ALL TIMES.

1. Vent Height.

This appliance requires a 4" B-vent for operation. **Never downsize pipe!** It must be terminated above the roof line. Follow all B-vent requirements and installation instructions, including minimum clearances.

The minimum height of vent installation must be nine feet from the top or 12 feet from the base of the appliance. Horizontal run must never exceed 50% of the height of the vent system as shown in Figure 4.

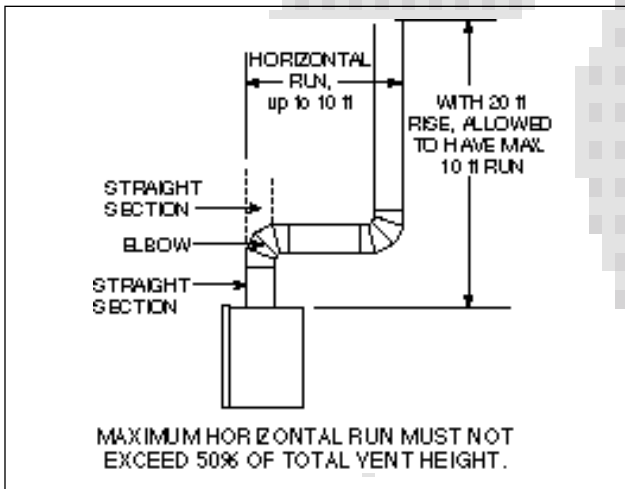


Figure 4 - Venting Off the Top of Appliance

NOTE: Vertical rise off the top of the unit before elbowing creates a less restrictive venting environment.

WARNING - RISK OF FIRE!
THE HORIZONTAL RUN OF VENT MUST HAVE A 1/4" RISE FOR EVERY 1 FT. OF RUN TOWARDS THE TERMINATION. NEVER ALLOW THE VENT TO RUN DOWNWARD. THIS COULD CAUSE HIGH TEMPERATURES AND MAY PRESENT A FIRE HAZARD.

2. Attaching Venting.

a. Assembling Vent Sections. Attach a straight Vent Section to the top of the appliance. Use only B-vent sections.

b. Using Elbows. Elbows exceeding 45° from the vertical shall be considered horizontal and therefore adapt horizontal run limitations. See Figure 5.

c. Penetrating the Ceiling. Mark and cut out an opening in the ceiling for a Firestop Spacer. Frame the opening with the same size of lumber used in the Ceiling Joists.

d. Installing the Firestop Spacers. Firestop Spacers must be used whenever the Venting penetrates a ceiling/floor area. In all situations, Firestop Spacers are to be nailed to the Ceiling Joists from the bottom or appliance side, EXCEPT when the space above is an insulated ceiling or attic space. In this situation, the Firestop Spacer must be secured from the top side to meet fire stopping requirements.

Install the Firestop Spacer by positioning and securing the four sides of the Firestop Spacer to the Joists using a minimum of [3] Fasteners per side..

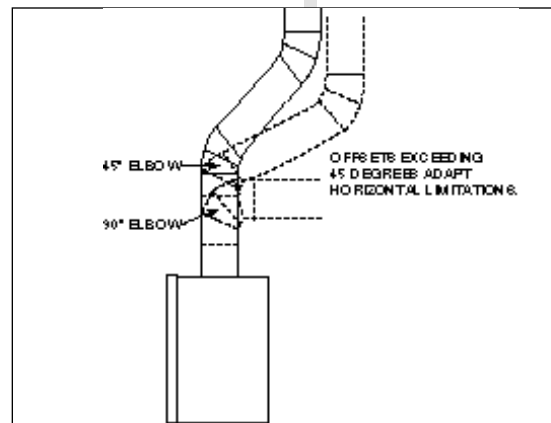


Figure 5 - Using Elbows

CAUTION
PROVISIONS SHALL BE MADE TO PROVIDE ADEQUATE COMBUSTION AND VENTILATION AIR.

e. Securing Vent System. Continue assembling the Vent Sections up through the Firestop Spacers as needed. Vent Sections must be locked into position. Elbows and Chimney Stabilizers have straps for securing these parts to Joists or Rafters.

f. Marking the Exit Point in the Roof. Locate the point where the Venting will exit the roof by plumbing down to the center of the Vent System. Drive a nail up through the roof to mark the center. See Figure 6a.

g. Cutting Out the Hole in the Roof. Measure to either side of the nail and mark the opening required to meet minimum clearances per Venting requirements. This is measured on the horizontal; actual length may be larger depending on the pitch of the roof. Cut out and frame the opening. See chapter 25 of the Uniform Building Code for Roof Framing details.

A one inch or greater minimum air space clearance (see Vent Instructions) must be maintained between the vent section and the roof.

h. Install Roof Flashing or Site-produced Chase Top. Position a Roof Flashing or a site-produced Chase Top and secure into place.

i. Assembling Vent Sections. Continue to add vent sections through the roof opening, maintaining minimum air space clearance.

j. Termination Cap. Major building codes specify a minimum termination height above the roof top depending on the roof pitch. It is strongly recommended that the cap should be at least 2' higher than anything within 10' of it, and a minimum of 3' out of the roof. This will help to ensure the best air flow.

Unlisted Cap. If you are using an unlisted Termination Cap and your Vent Section is at least 8 feet from a vertical wall, follow the information in Figure 6b and Table 1 to determine the allowable termination height and location.

Measure the roof pitch. (Roof pitch is X/12 as shown in Figure 6b.) Find your roof pitch in Figure 8 to determine the minimum height the Termination Cap must be located from the point where the Vent Section penetrates the roof (H in Figure 6b).

Listed Cap. If you are using a listed Termination Cap, you must follow the manufacturer's installation instructions for minimum clearances to roof and any obstructions.

Note: Be sure to provide intermediate support for the vent during construction and check to be sure inadvertent loading has not dislodged the vent from the appliance or any vent joint.

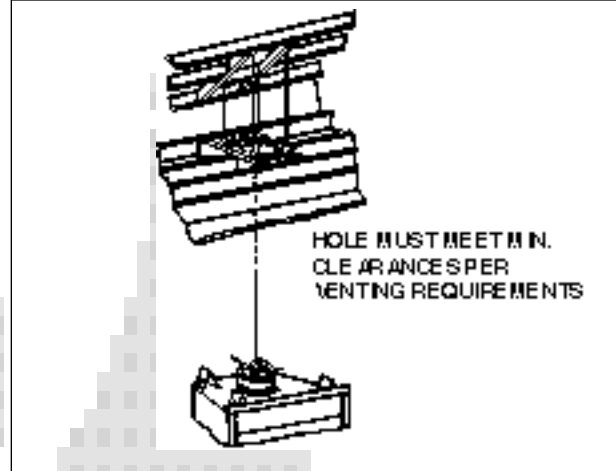


Figure 6a - Roof Exiting

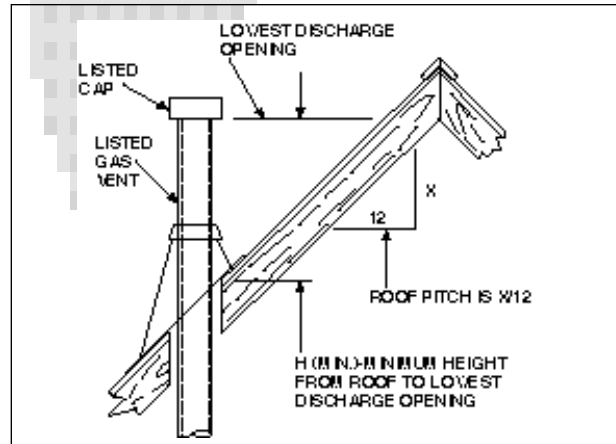


Figure 6b - Vent Height for Vertical Termination

Roof Pitch	H (Min.) Ft.
Flat to 6/12	1.0
6/12 to 7/12	1.25
Over 7/12 to 8/12	1.5
Over 8/12 to 9/12	2.0
Over 9/12 to 10/12	2.5
Over 10/12 to 11/12	3.25
Over 11/12 to 12/12	4.0
Over 12/12 to 14/12	5.0
Over 14/12 to 16/12	6.0
Over 16/12 to 18/12	7.0
Over 18/12 to 20/12	7.5
Over 20/12 to 21/12	8.0

Table 1 - Vent Height

WARNING:
A Gas appliance must not be connected to a chimney flue serving a separate Solid - Fuel Burning appliance.

WARNING - RISK OF FIRE!
ALWAYS MAINTAIN MINIMUM CLEARANCES OR GREATER AROUND THE CHIMNEY SYSTEM. DO NOT PACK AIR SPACES WITH INSULATION OR OTHER MATERIAL.

3. Check Venting System.

Check the Venting System to assure proper operation. This can be done with a match while the unit is operating.

Hold a lighted match at the bottom edge of the Drafthood opening. If the flames and smoke remain upright, ventilation is acceptable. If the flames and smoke are drawn into the Drafthood, this means ventilation is good. If the flames and smoke are forced away from the Drafthood, this may indicate a ventilation blockage or down draft resulting in gas spillage into the home. If this occurs, turn off the fireplace and do not burn it until it has been inspected by a qualified service person. See Figure 7.

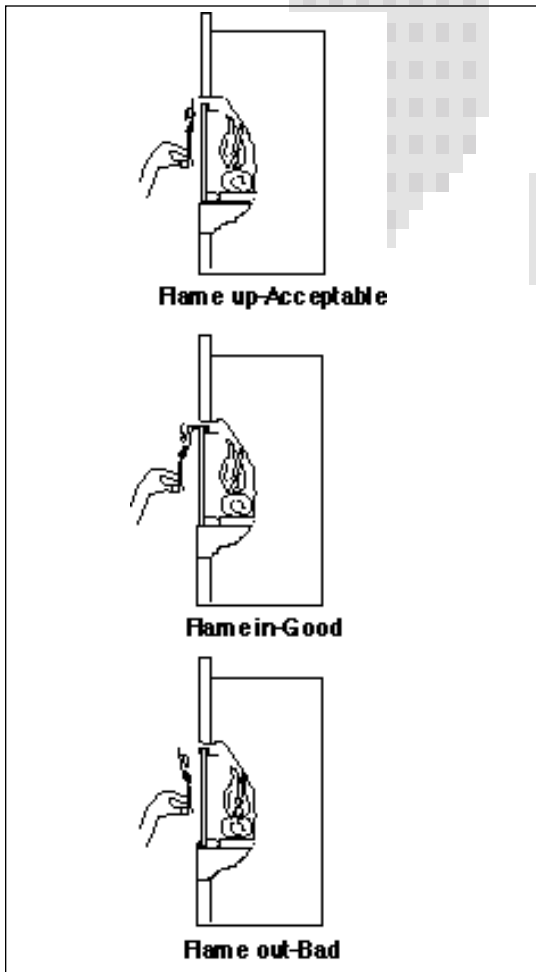


Figure 7 - Testing Ventilation

4. Installing an Outside Air Kit (strongly recommended).

An AK14 Outside Air Kit should be purchased as a feature with this fireplace. An Outside Air Kit helps to decrease the amount of room air taken, by utilizing outside air for combustion. The Outside Air Kit can only be installed on the left side of the fireplace. Remove the Outside Air Knock-out located behind the Gas Access Panel. Install the AK14 as detailed in the installation instructions provided with the Kit.

A maximum of 40' of Air Kit ducting is allowed. The Air Kit must terminate at least four feet below the venting termination and must terminate to the outside.

WARNING!
Exhaust products of gasoline engines are hazardous. The outside air must not be taken from a garage space, attic spaces, basements, or above the roofing where other heating appliances, fans, or chimneys exhaust or utilize air.

NOTE: The Outside Air Kit can terminate at any level with the exception that it must terminate at least one foot below the chimney Terminal Cap.

F. UTILITIES

1. High Altitude Installation.

For U.S. installation, units are tested and approved for elevations from 0-2000 feet. When installing this unit at an elevation above 2000 feet, United States codes require a decrease of the input rating by changing the existing burner orifice to a smaller size.

Input should be reduced 4% for each 1000 feet above sea level. Check with the local gas utility for proper orifice size identification.

For Canada, units are certified for elevations from 0-4500 feet. When installing this unit at an elevation between 0-4500 feet in Canada, the input rating does not need to be reduced. When installing this unit at an elevation above 4500 feet in Canada, check with local authorities.



2. Gas Line Connection.

Connect the Gas Line to the appliance Manual Valve Inlet, using 3/8" pipe. To ease installation, a listed Flexible Connector and Manual Shut-off Valve are supplied.

Remove the Logs. Remove the screws securing the Hearth Pan Assembly. Lift and remove the Assembly. See Figures 8 and 9.

Run the 3/8" pipe approximately 3" into the appliance. Connect a 12" to 18" Flexible Connector to the pipe and Valve. All connections must be checked for leaks with a soap and water solution.

Bleed the Gas Line for about 5 seconds to extract any air that may have been trapped inside the pipe.

Place the hearth Pan Assembly and Logs back in the appliance.

Note: The appliance and its individual shutoff valve must be disconnected from the gas supply piping system during any pressure testing of that system at test pressures in excess of 1/2 psi (3.5 kPa). The appliance must be isolated from the gas supply piping system by closing its individual manual shutoff valve during any pressure testing of the gas supply piping system at test pressures equal to or less than 1/2 psi (3.5 kPa).

3. Gas Pressure.

On the Standing Pilot Millivolt Gas Control Valve, a Pressure Tap is included on the Front Face of the Valve. The electronic Valve includes an 1/8" NPT Plugged Tap on the left and right of the Valve near the outlet to the main Burner. Pressure Taps should be located immediately upstream of the gas supply connection and accessible for test gauge connection. Manual Valve Ignition is not provided with Pressure Taps.

Table 2 shows optimum gas pressure information. Consult your local gas company for assistance in determining the proper orifice for your altitude or refer to ANSI Z223.1-latest edition, Appendix F.

Table 2 shows optimum gas pressure information. Consult your local gas company for assistance in determining the proper orifice for your altitude or refer to ANSI Z223.1-latest edition, Appendix F.

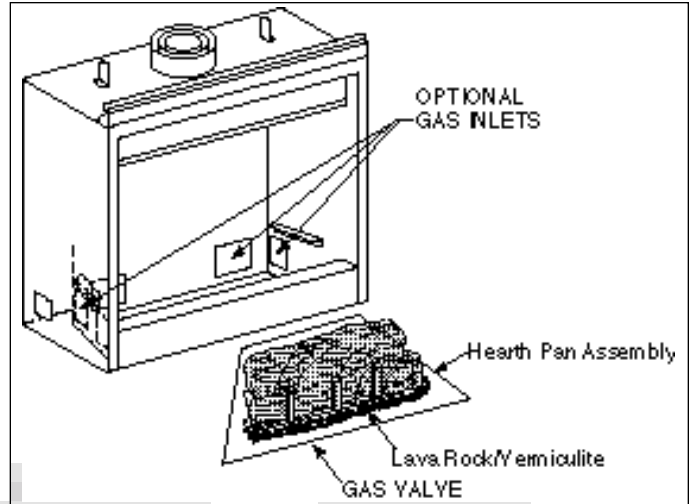


Figure 8 - Hearth Removal

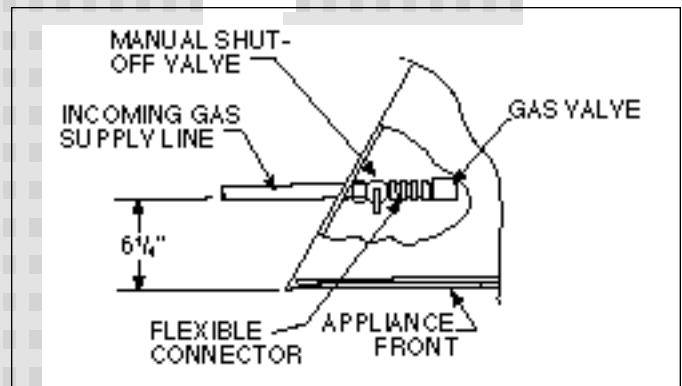


Figure 9 - Gas Line Connection

G270	
Inlet gas supply pressure (natural gas)	4.5 (min.)-7.0 (max.)*
Optimum manifold pressure (natural gas)	3.5*
Inlet gas supply pressure (LP gas)	11.0 (min.)-14.0 (max.)*
Optimum manifold pressure (LP gas)	10.5*
Input rate (natural gas)	16,500 BTU/hr
Input rate (prop. gas)	16,500 BTU/hr
Decorative - Natural Gas Orifice size	.078 in/ 1.98 mm
Decorative - Propane Gas Orifice Size	.046 in/ 1.16 mm

Table 2 * Inches of water column.
Gas Information for Electronic and Standing Pilot Units



3. Wiring

A. ELECTRONIC IGNITION

1. Appliance Requirements. This appliance requires a 110VAC supply from a wall switch to the appliance junction box for operation. A wiring diagram is shown in Figure 10.

2. Optional Accessories Requirements. Wiring for optional accessories should be done now to avoid reconstruction.

Note: This appliance must be electrically wired and grounded in accordance with local codes or, in the absence of local codes, with National Electric Code ANSI/NFPA 70-latest edition or the Canadian Electric Code, CSA C22.1.

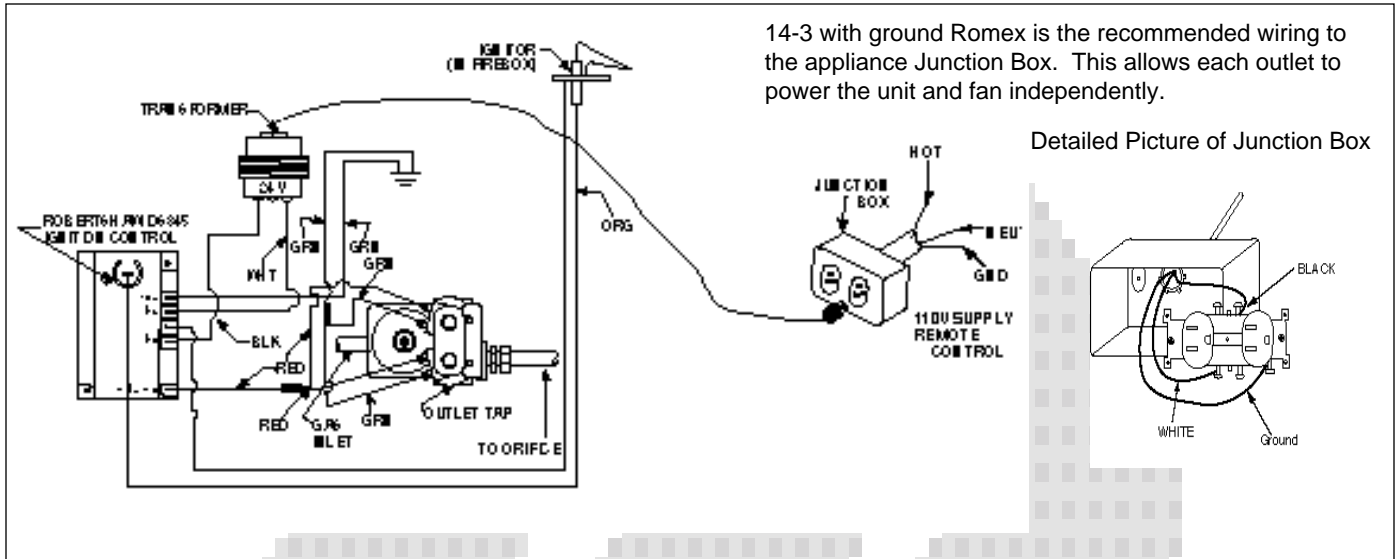


Figure 10 - Electronic Ignition Wiring Diagram

B. STANDING PILOT IGNITION, MANUAL VALVE

Please refer to Figure 11 below for the Standing Pilot Ignition wiring diagram.

Warning!

This appliance **DOES NOT** require a 110VAC supply for operation. Connecting the appliance/wall switch to a 110V AC supply will cause the unit to malfunction and destroy the valve and thermopile.

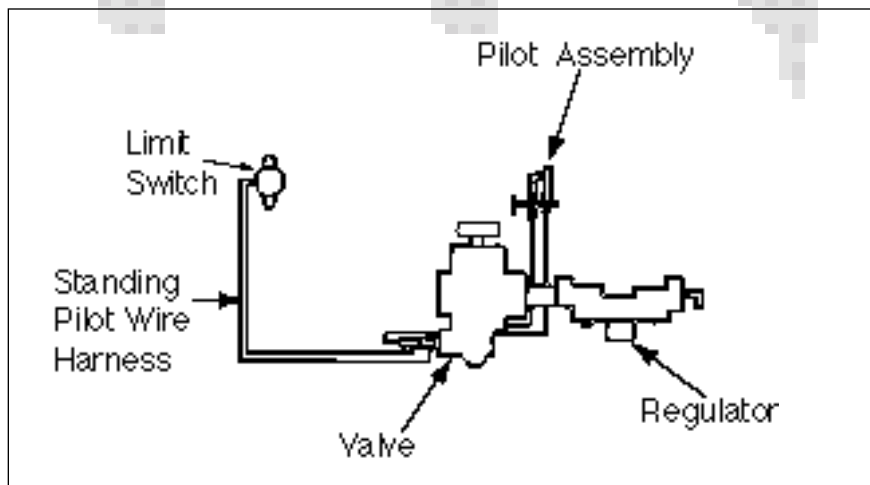


Figure 11 - Standing Pilot, Manual Valve Wiring Diagram

C. STANDING PILOT IGNITION, MILLIVOLT VALVE

1. **Appliance requirements.** A wiring diagram is shown in Figure 12.
2. **Optional Accessories Requirements.** Wiring for optional accessories should be done now to avoid reconstruction.

Warning!

This appliance **DOES NOT** require a 110VAC supply for operation. Connecting the appliance/wall switch to a 110V AC supply will cause the unit to malfunction and destroy the valve and thermopile.

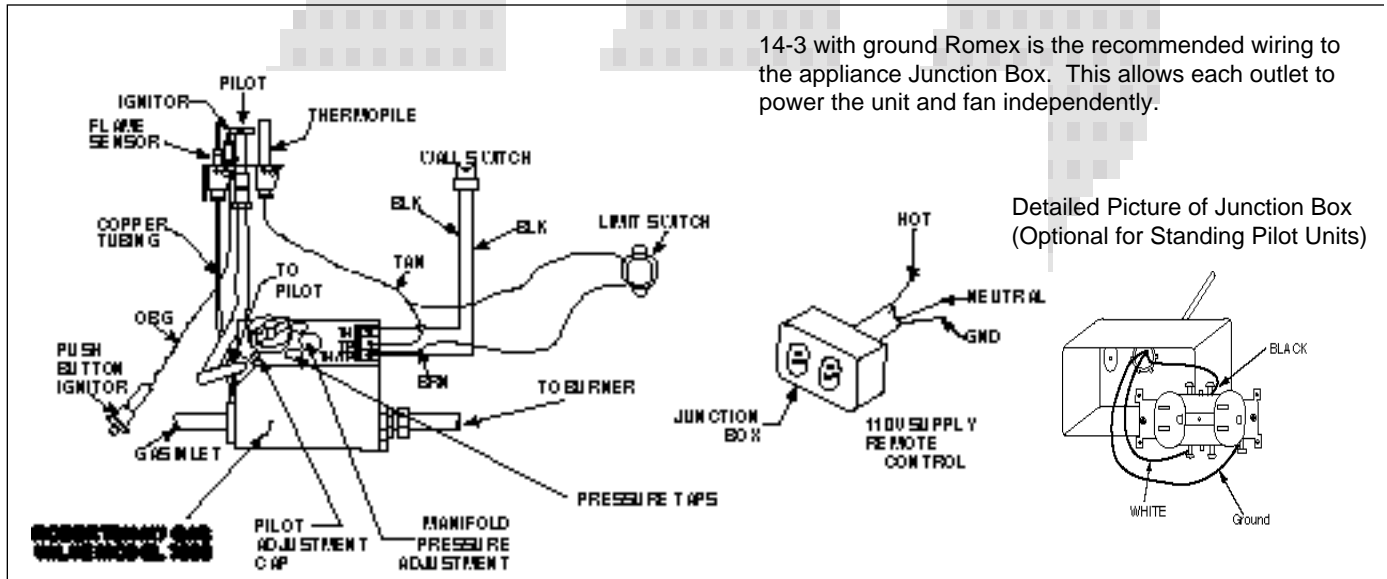


Figure 12 - Standing Pilot, Millivolt Valve Wiring Diagram

G. FINISHING

Combustible Finishing Material. Material made of or surfaced with wood, compressed paper, plant fibers, plastics, or any material capable of igniting and burning, whether flame proofed or not, plastered or unplastered (this includes drywall).

Non-combustible Finishing Material. Material which will not ignite and burn. Such materials are those consisting entirely of steel, iron, brick, tile, concrete, slate, glass or plasters, or combination thereof, or have a UL Fire rating of Zero (0).

High Temperature Sealant Material. Sealants that will withstand high temperatures; General Electric RTV103 (Black), or equivalent. Rutland, Inc. Appliance Mortar #63, or equivalent.

A high temperature sealant, 1/8" inch wide minimum, must be used to close off gaps between the appliance and facing to prevent cold air leaks. See Figure 13.

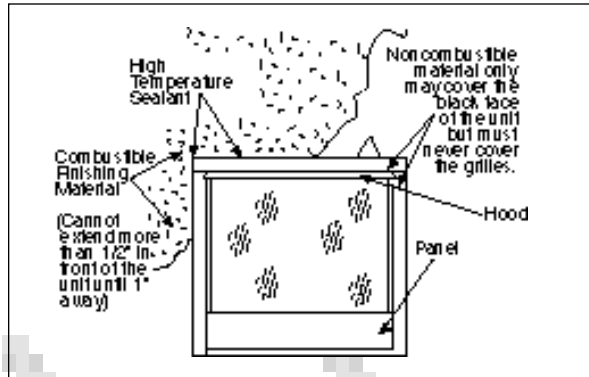


Figure 13
Finishing Materials

Note: If an optional fan or hand held remote control are to be used, wiring must be done prior to finishing to avoid reconstruction.

Note: The remote wall switch must be wired prior to applying the finishing material in order to avoid reconstruction.

WARNING!
THE HOOD AND GRILLES ON THIS APPLIANCE CANNOT, IN ANY WAY, BE COVERED AS IT MAY CREATE A FIRE HAZARD.

H. FIREBOX PREPARATION

1. Log Placement.

Position the Log Set to look similar to that in Figure 14.

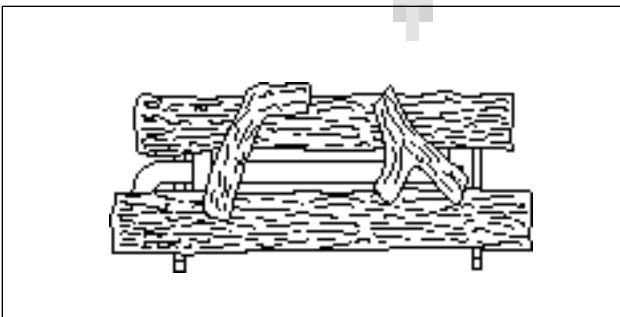


Figure 14 - Log Placement
(See Pg. 90 for Replacement Part Number reference)

2. Placing the Lava Rock and Vermiculite.

Spread the Lava Rock over the area in front of the Burner and the [2] Side Pans. Do not cover the front Gas Ports with the Lava Rock. See Figure 15.

Take a small amount of Vermiculite and sprinkle it on top of the Lava Rock. Do not cover the front Gas Ports with the Vermiculite. See Figure 15.

(It is not necessary to use all of the Lava Rock or Vermiculite provided.)

If the unit is lit but the front Gas Ports will not light, make sure that the Ports are not blocked by Lava Rock or Vermiculite.

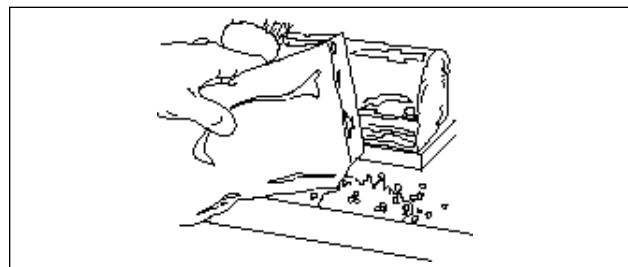


Figure 15 - Lava Rock and Vermiculite Placement

CAUTION
ANY SAFETY SCREEN OR GUARD REMOVED FOR SERVICING AN APPLIANCE MUST BE REPLACED PRIOR TO OPERATING THE APPLIANCE. CLOTHING, GASOLINE AND OTHER FLAMMABLE MATERIAL SHOULD NOT BE PLACED ON OR NEAR THE APPLIANCE.

3. Screen Installation

NOTE: Fireplace must be cool when performing this step. Wear gloves for your protection.

1. Remove Screen from the plastic bag inside the Firebox.
2. Determine which is the Left and Right Screens by the Screen Handle's location, which belongs in the center of the fireplace.
3. For ease of installation, bend down the [6] Firescreen Retainers. See Figure 16.
4. Hook the [3] rings over the Retainers, and then bend back.

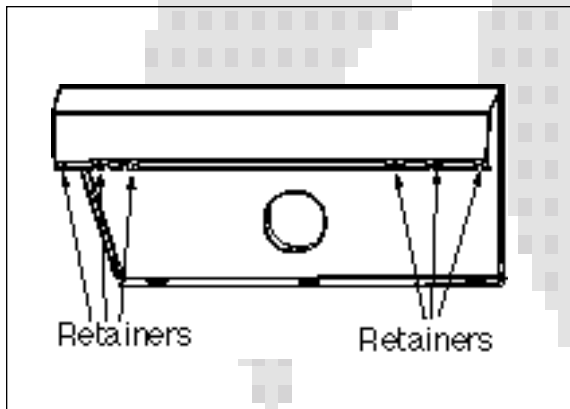


Figure 16 - Screen Installation

4. Pre-Use ✓ Checklist

- Before operating this unit, please review the safety precautions given on page 2 as well as the items listed below:
- The air shutter on the burner stem must be secured to a minimum opening of 0.125" for Natural Gas. Propane Gas must be secured to a minimum opening of 0.62".
- Check to make sure the logs have all been placed correctly.
- Check to see that all wiring is correct and enclosed to prevent possible shock.
- Check to ensure there are no gas leaks. This may be done with a soap and water solution.
- Verify that all venting and caps are unobstructed. because exhaust gases are extremely hot. Be sure there are no possible future obstructions from trees, bushes, snow drifts, etc.
- Read and understand these Instructions thoroughly before attempting to operate this unit.



INSTALLATION IS NOW COMPLETE.

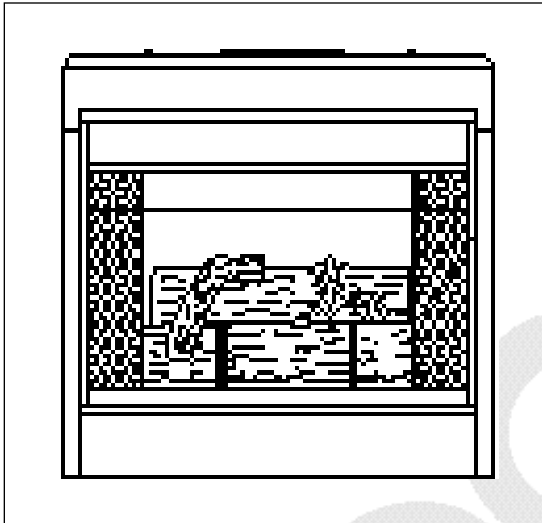
OPERATION

OPERATION INSTRUCTIONS - G270 SERIES

B - VENT GAS APPLIANCE



Scroll back to Page 1i
for the
“Installation Instructions.”



The G270 B - Vent Gas Appliance

TABLE OF CONTENTS

A. Lighting Instructions for Electronic Units.....	15o
B. Lighting Instructions for Standing Pilot, Manual Valve.....	16o
C. Lighting Instructions for Standing Pilot, Millivolt Valve....	17o
D. Seasonal Checklist.....	18o
E. Field Fuel Conversion Instructions.....	19o
F. Start-Up Issues.....	19o
G. Maintenance Instructions.....	20o
H. Replacement Parts.....	21o

Read these Installation Instructions completely before beginning installation. Failure to follow them could cause an appliance malfunction resulting in serious injury and/or property damage.

FOR YOUR SAFETY

What to do if you smell gas:

- Do not try to light any appliance.
- Do not touch any electrical switch.
- Do not use any phone in your building.
- Immediately call your gas supplier from a neighbor's phone. Follow the gas supplier's instructions.
- If you cannot reach your gas supplier, call the fire department.

FOR YOUR SAFETY

Do not store or use gasoline or other flammable vapors and liquids in the vicinity of this or any other appliance.

WARNING!

Improper installation, adjustment, alteration, service or maintenance can cause injury or property damage. Refer to this manual. For assistance or additional information, consult a qualified installer, service agency or the gas supplier.

Determining the Ignition Type.

To determine whether your appliance is an Electronic Ignition or a Standing Pilot ignition, remove the Lower Panel or Hearth Assembly to examine the wiring system. If your system has a Red Ignitor Button (as shown in Figure 1), you own a Standing Pilot Millivolt Ignition fireplace. If a Manual ON/OFF/Pilot Valve is present but no Red Ignitor Button, you have a Manual Standing Pilot Ignition. If no Red Ignitor Button or Manual Valve is present, you have an Electronic Ignition appliance.

You may also check the rating label located on the inside of the lower panel to determine ignition type.

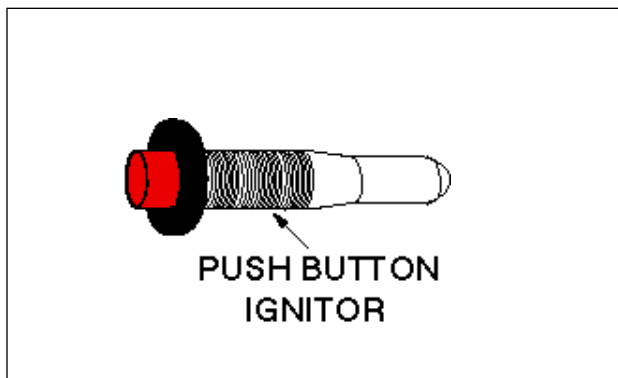


Figure 1 - Standing Pilot Ignition

A. ELECTRONIC UNITS

FOR YOUR SAFETY, READ BEFORE LIGHTING.

WARNING! If you do not follow these instructions exactly, a fire or explosion may result causing property damage, personal injury or loss of life.

- A. This appliance does not have a pilot. It is equipped with an ignition device which automatically lights the burner. Do not try to light the burner by hand.
- B. BEFORE OPERATING, smell all around the appliance area for gas. Be sure to smell next to the floor because some gas is heavier than air and will settle on the floor.
- WHAT TO DO IF YOU SMELL GAS:
- Do not try to light any appliance.
 - Do not touch any electric switch; do not use any phone in your building.
 - Immediately call your gas supplier from a neighbor's phone. Follow the supplier's instructions.
 - If you can not reach your gas supplier, call the fire department.
- C. Use only your hand to push in and move the gas control lever or turn the gas control knob. Never use tools. If the lever or knob will not move by hand, don't try to repair it - call a qualified service technician. Force or attempted repair may result in a fire or explosion.
- D. Do not use this appliance if any part has been under water. Immediately call a qualified service technician to inspect the appliance and to replace any part of the control system and any gas control which has been under

LIGHTING INSTRUCTIONS

1. STOP! Read the safety information above on this label.
2. Turn wall switch to the "OFF" position.
3. Turn off all electric power to the appliance.
4. This appliance is equipped with an ignition device which automatically lights the burner. Do not try to light burner by hand.
5. Wait five (5) minutes to clear out any gas. If you then smell gas, STOP! Follow "B" in the safety information above on this label. If you don't smell gas, go on to the next step.
6. To turn on burner, turn on all electric power to this appliance and turn on the wall switch.
7. If the appliance will not operate, follow the instructions "TO TURN OFF GAS TO APPLIANCE" and call your service technician or gas supplier.

TO TURN OFF GAS TO APPLIANCE

1. Turn off the wall switch.
2. Turn off all electric power to the appliance if service is to be performed.
3. Turn gas line to the "OFF" position.
4. Replace control access panel.

B. STANDING PILOT, MANUAL VALVE

FOR YOUR SAFETY, READ BEFORE LIGHTING.

WARNING!

IF YOU DO NOT FOLLOW THESE INSTRUCTIONS EXACTLY, A FIRE OR EXPLOSION MAY RESULT CAUSING PROPERTY DAMAGE, PERSONAL INJURY OR LOSS OF LIFE.

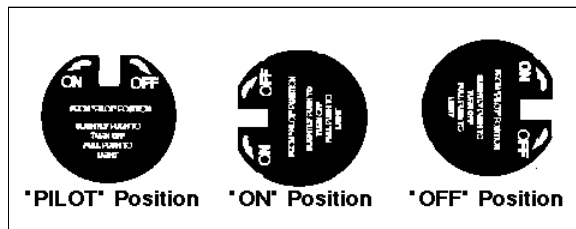
STANDING PILOT, MANUAL VALVE

- A. This appliance (Standing Pilot version) has a pilot which must be lit manually. When lighting the pilot, follow these instructions exactly.
- B. **BEFORE LIGHTING** smell all around the appliance area for gas. Be sure to smell next to the floor because some gas is heavier than air and will settle on the floor.
- WHAT TO DO IF YOU SMELL GAS**
- Do not try to light any appliance.
 - Do not touch any electric switch; do not use any phone in your building.
 - Immediately call your gas supplier from a neighbor's phone. Follow the supplier's instructions.
 - If you cannot reach your gas supplier, call the fire department.
- C. Use only your hand to push in or turn knob. Never use tools. If the knob will not push in or turn by hand, don't try to repair it; call a qualified service technician. Forced or attempted repair may result in a fire or explosion.
- D. Do not use this appliance if any part has been under water. Immediately call a qualified service technician to inspect the appliance and to replace any part of the control system and any gas control which has been under water.
5. Initial and Seasonal Lighting procedure. Initial lighting constitutes the first time the appliance has been lit after installation. Seasonal lighting refers to lighting the appliance after it has been unused and the Gas Valve has been turned to "OFF".
- Be sure the knob has been turned to the "OFF" position. Also, your unit may have a Rocker Switch installed inside the Lower Panel; if it does, this also needs to be turned to the "OFF" position. If not, do so and allow the appliance to sit for five [5] minutes so that any gas that may have accumulated in the main Burner Compartment escapes.
- Turn the gas knob to "PILOT", as shown in Figure 17, and press in. While holding it in, light the pilot with a match. Continue to hold in the gas knob for about one minute after the pilot is lit. Release the gas knob. The pilot should remain lit. If it goes out, turn everything to the "OFF" position, let it sit for five minutes and repeat this step again.
- When the pilot remains lit, turn the gas knob to the "ON" position. See Figure 17. Watch you appliance display beautiful, dancing flames. Initially, the flames may resemble more of a blue color but after the first 20 minutes of operation, they will become more yellow.

LIGHTING/SHUTDOWN INSTRUCTIONS

Standing Pilot System

1. **STOP!** Read all the Safety Instructions on this page.
2. Push in gas control knob slightly and turn clockwise to "OFF". (See Figure 16, page 15).
3. **NOTE:** Knob cannot be turned from "PILOT" to "OFF" unless knob is pushed in slightly. Do not force.
4. Wait five (5) minutes to clear out any gas. If you then smell gas, **STOP!** Follow "B" in the safety information on this page. If you don't smell gas, go on to the next step.



Standing Pilot Manual Valve Settings.

C. STANDING PILOT, MILLIVOLT VALVE

WARNING! If you do not follow these instructions exactly, a fire or explosion may result causing property damage, personal injury or loss of life.

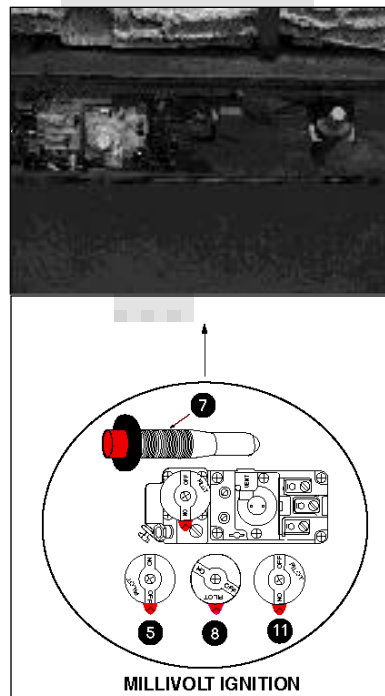
- A. This appliance has a Pilot which must be lit by hand. When lighting the Pilot, follow these instructions exactly.
- B. BEFORE LIGHTING smell all around the appliance area for gas. Be sure to smell next to the floor because some gas is heavier than air and will settle on the floor.
- WHAT TO DO IF YOU SMELL GAS
- Do not try to light any appliance.
 - Do not touch any electric switch; do not use any phone in your building.
 - Immediately call your gas supplier from a neighbor's phone. Follow the supplier's instructions.
 - If you cannot reach your gas supplier, call the fire department.
- C. Use only your hand to push in or turn knob. Never use tools. If the knob will not push in or turn by hand, don't try to repair it; call a qualified service technician. Forced or attempted repair may result in a fire or explosion.
- D. Do not use this appliance if any part has been under water. Immediately call a qualified service technician to inspect the appliance and to replace any part of the control system and any gas control which has been under water.

LIGHTING INSTRUCTIONS

STOP! Read the safety information above on this label!

- 1 Turn off all wall switches to the appliance or set the Thermostat to the lowest setting (if applicable).
- 2 Remove bottom Access Panel.
- 3 Turn gas line to CLOSED. Wait 5 minutes to clear out any gas. Then smell for gas, including near the floor. If you smell gas, **STOP!** Follow "B" in the safety information above on this label. If you don't smell gas, go to the next step.
- 4 Turn gas line to OPEN.
- 5 Turn pilot knob clockwise to "OFF". (Knob may have to be depressed to pass "PILOT" position.)
- 6 Locate Pilot assembly inside unit.
- 7 Locate Red Ignitor Button in bottom of the unit.
- 8 Turn Pilot knob to "PILOT" and push in.
- 9 Continue to hold in Pilot Knob and push the Red Ignitor Button 12-15 times until small blue Pilot flame appears.
- 10 Continue to hold in Pilot Knob for approximately one minute. Pilot should remain lit. If Pilot goes out, wait 5 minutes and repeat Steps 4-9.
- 11 Release and turn Knob counterclockwise to "ON". The Main Burner should ignite if it is a Manual Ignition unit. To turn Off, turn Knob Clockwise back to "Pilot".
- 12 If the appliance will not operate, follow the instructions "To Turn Off Gas To Appliance" and call your service technician or gas supplier.

NOTE: For Millivolt Valves, turn Wall Switch to "ON" to light the Main Burner. **Do not light by hand!**



TO TURN OFF GAS TO THE APPLIANCE

1. Turn off the Wall Switch.
2. Remove the Control Access Panel.
3. Turn Gas Line to "CLOSED" position. Do not force!
4. Replace the Control Access Panel.

WARNING!

CHILDREN AND ADULTS SHOULD BE ALERTED TO THE HAZARDS OF HIGH SURFACE TEMPERATURES AND SHOULD STAY AWAY TO AVOID BURNS OR CLOTHING IGNITION. YOUNG CHILDREN SHOULD BE CAREFULLY SUPERVISED WHEN THEY ARE IN THE SAME ROOM AS THE APPLIANCE.

CAUTION

ANY SAFETY SCREEN OR GUARD REMOVED FOR SERVICING AN APPLIANCE MUST BE REPLACED PRIOR TO OPERATING THIS APPLIANCE.

CLOTHING OR OTHER FLAMMABLE MATERIAL SHOULD NOT BE PLACED ON OR NEAR THE APPLIANCE.

D. SEASONAL CHECKLIST

INSTALLATION AND REPAIR SHOULD BE DONE BY A QUALIFIED SERVICE PERSON. THE APPLIANCE SHOULD BE INSPECTED BEFORE USE AND AT LEAST ANNUALLY BY A QUALIFIED SERVICE PERSON. MORE FREQUENT CLEANING MAY BE REQUIRED DUE TO EXCESSIVE LINT FROM CARPETING, BEDDING MATERIAL, ETC. IT IS IMPERATIVE THAT CONTROL COMPARTMENTS, BURNERS AND CIRCULATING AIR PASSAGEWAYS OF THE APPLIANCE BE KEPT CLEAN.

1. PRIOR TO OPERATION

Before operating this appliance, have a qualified technician:

1. Review proper placement of logs, rock wool and vermiculite.
2. Check wiring.
3. Ensure there are no gas leaks.
4. Ensure the glass is sealed and in proper position.
5. Ensure the flow of combustion and ventilation air is not obstructed.

WARNING!

KEEP THE AREA NEAR THE APPLIANCE CLEAR AND FREE FROM COMBUSTIBLE MATERIALS, GASOLINE AND OTHER FLAMMABLE VAPORS AND LIQUIDS.

WARNING!

DO NOT USE THIS APPLIANCE IF ANY PART HAS BEEN UNDER WATER. IMMEDIATELY CALL A QUALIFIED SERVICE TECHNICIAN TO INSPECT THE APPLIANCE AND TO REPLACE ANY PART OF THE CONTROL SYSTEM AND ANY GAS CONTROL WHICH HAS BEEN UNDER WATER.

**2. STANDING PILOT OPERATION
(Manual and Millivolt)**

Heatilator recommends you leave the Pilot on year round.

If you decide to shut down the appliance for a long period of time:

1. Turn all Wall switches to "OFF" (if applicable).
2. Turn Pilot Knob on valve to "OFF".
3. Turn the gas line to CLOSED.

Lighting the Fireplace During Regular Use. Turn the Wall Switch to "ON" (millivolt valve). Turn Switch to "ON" (Manual Valve).

Shutdown During Regular Use. Turn the Wall Switch to "OFF" (Millivolt Valve). Turn Switch to "OFF" (Manual Valve).

On the Manual Standing Pilot Ignition, the Btu/hr input can be adjusted to your satisfaction by turning the Flame Adjustment Knob on the Valve Counter-clockwise for "Lo" or Clockwise for "Hi"

3. ELECTRONIC IGNITION OPERATION

To shut down the appliance for a long period of time:

1. Turn all Wall Switches to "OFF".
2. Turn the gas line to CLOSED.

Lighting the Fireplace During Regular Use. Turn the wall switch to "ON".

Shutdown During Regular Use. Turn the Wall Switch to "OFF".

E. FUEL/FIELD FUEL CONVERSION INSTRUCTIONS

Do not burn wood or other material in this appliance.

Natural or Propane gas conversions necessary to meet the application are to be made by a qualified technician, using Heatilator specified and approved parts only.

In the event that your appliance must be converted to burn an alternate gas, please contact your local Dealer or Heatilator Customer Relations at: Heatilator, 1915 W. Saunders Street, Mt. Pleasant, IA 52641.

F. START-UP ISSUES

Issue:

Causes and Possible Solutions:

1. Condensation on Glass: (If applicable)	1. This is a result of gas combustion and temperature variations. As the unit warms, this condensation should disappear.
2. Blue flames:	2. This is a result of normal operation and the flames will begin to yellow as the unit is allowed to burn.
3. Odor from unit:	3. When first operated, this unit may release an odor for the first several hours. This is caused by the curing of the paint and the burning off of any oils remaining from manufacturing.
4. Film on Glass: (If applicable)	This is a normal result of the curing process of the paint and Logs. If the Glass is not cleaned within 4 - 6 hours of initial burning, this may require the use of a non-abrasive cleaner to remove, such as Brasso.

WARNING!

NEVER USE GASOLINE , GASOLINE-TYPE LANTERN FUEL, KEROSENE, CHAR-COAL LIGHTER FLUID OR SIMILAR LIQUIDS IN THIS APPLIANCE. KEEP ANY FLAMMABLE LIQUIDS A SAFE DISTANCE FROM THE APPLIANCE.

G. MAINTENANCE INSTRUCTIONS

1. Cleaning the Burner and Control Compartment.

Keep the burner and control compartment clean by brushing and vacuuming at least once a year. Always turn off the wall switch (or remote control) and gas valve before cleaning. Failure to do so may shorten the life of the components.

2. Checking Flame Patterns.

Visually check the flame of the burner periodically, making sure the flames are steady, not lifting or floating. The flame color should be blue with yellow tips. See Figure 5. The ignitor (electronic) or thermopile and thermocouple (standing Pilot) tips should be covered with flame. See Figures 2 through 4.

If the vent configuration is installed incorrectly, the vent may cause the flames inside the appliance to lift or "ghost", which is a dangerous situation. Inspect the flames after installation to ensure proper performance. See Figure 5. If the vent configuration is correct, yet the flames are lifting or ghosting, shut off gas to the appliance and contact the dealer.

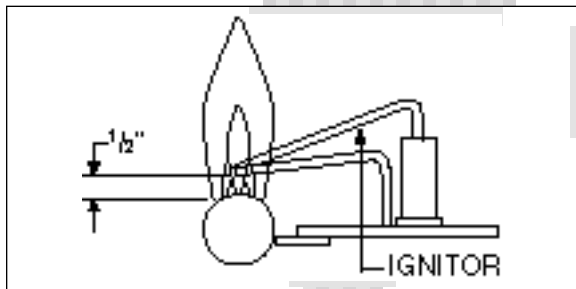


Figure 2
Electronic Ignition

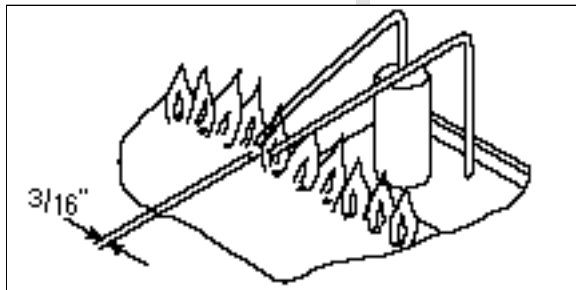


Figure 3
Electronic Ignition

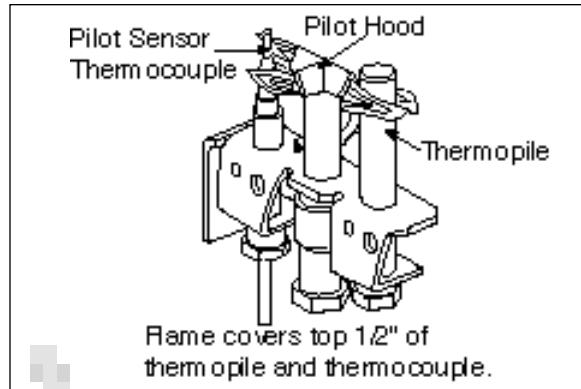


Figure 4a - Standing Pilot, Millivolt Valve

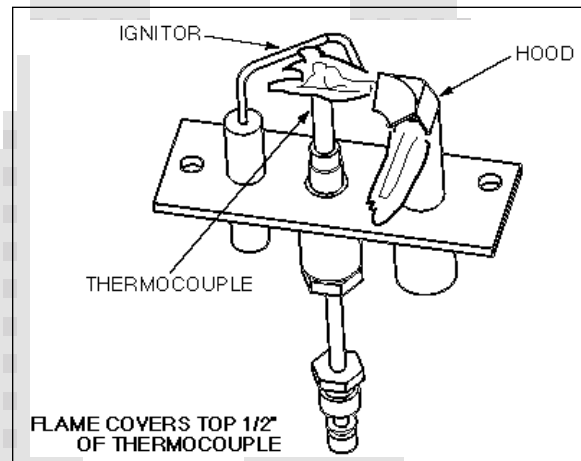


Figure 4b - Manual Standing Pilot



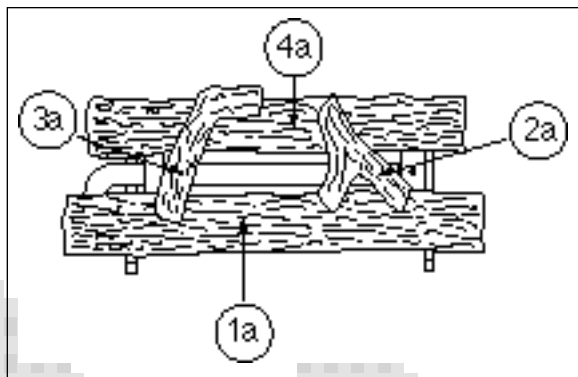
Figure 5 - Flame Patterns

3. Venting System Inspection.

The appliance and Venting System should be inspected before use and at least annually by a qualified field service person to ensure that the flow of combustion and ventilation air is not obstructed.

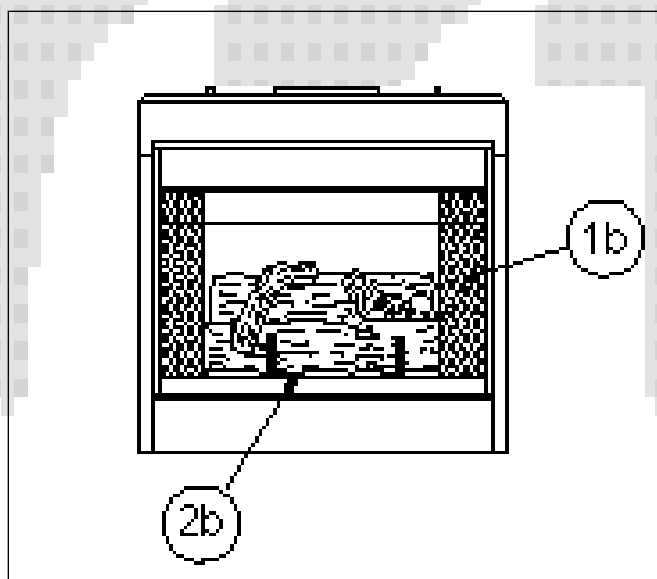
H. REPLACEMENT PARTS

Replacement parts are available from your distributor/dealer.



Item A - G270 Log Assembly

ITEM	PART#	DESCRIPTION	QTY.
A	24788	G270 Log Assembly	1
1a	26350	Front Log	1
2a	24540	Top Right Log	1
3a	24539	Top Left Log	1
4a	24538	Back Log	1



ITEM B - Firescreen and Rock Guard

ITEM	PART#	DESCRIPTION	QTY.
1b	15036	Firescreen	1
2b	24676	Rock Guard	1

Visit our Website @: www.heatilator.com for a dealer/distributor near you!