

**DEMI30BK/BZ, DEMI33BK/BZ, DEMI36BK/BZ, DEMI42BK/BZ,  
TRES30BK/BZ, TRES33BK/BZ, TRES36BK/BZ, TRES42BK/BZ**  
**Installation Instructions**



Leave this manual with party responsible for use and operation.

**CAUTION! Risk of Cuts, Abrasions or Flying Debris.**  
Wear protective gloves and safety glasses during installation. Sheet metal edges are sharp.

**DANGER**



**HOT GLASS WILL  
CAUSE BURNS.**

**DO NOT TOUCH GLASS  
UNTIL COOLED.**

**NEVER ALLOW CHILDREN  
TO TOUCH GLASS.**

A barrier designed to reduce the risk of burns from the hot viewing glass is provided with this appliance and shall be installed for the protection of children and other at-risk individuals.

**WARNING! Risk of Fire! Combustible materials MUST NOT overlap or be placed under a surround.**

**CAUTION! Do not install damaged components.**

**WARNING! Risk of Fire! DO NOT apply combustible materials beyond the minimum clearances. Comply with all minimum clearances to combustibles as specified. Overlapping materials could ignite and will interfere with proper operation of doors and louvers.**

**CONTENTS:**

- Decorative Front Assembly
- Glass Arch Vanity Panel (TRES only)

Verify and remove contents from packaging before beginning installation.

**Note:** These decorative fronts utilize the mesh that was factory-installed on the fireplace. A separate mesh assembly is not included.

**INSTALLATION**

1. Remove existing mesh assembly from fireplace by pushing on the bottom frame of the mesh assembly and releasing the spring brackets. See Figure 1.

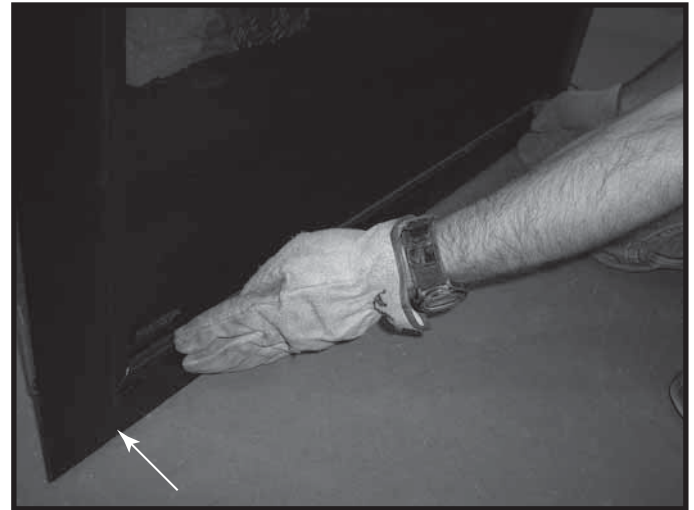


Figure 1. Remove Existing Mesh Assembly

2. Grasp mesh assembly on lower bottom corners and lift it upward and outward to disengage it from the upper shoulder screws. See Figure 2.

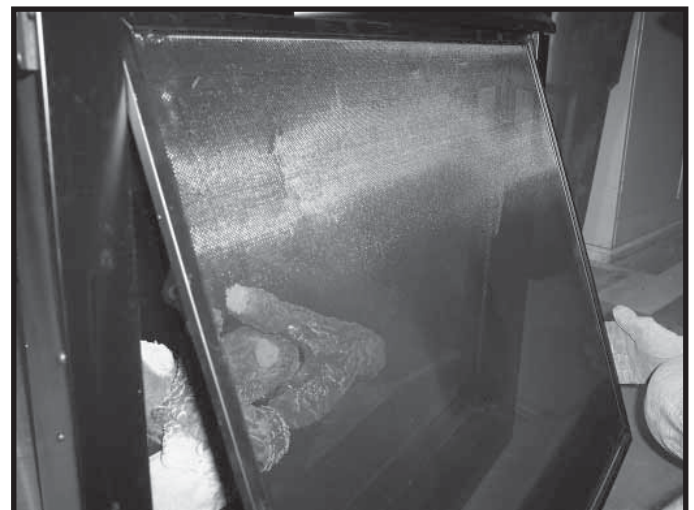


Figure 2. Lift Screen off of Shoulder Screws

- Remove the installed hood by removing the four screws. See Figure 3.



Figure 3. Remove Hood

- Remove door from shipping carton

**TRES ONLY:** Remove glass arch vanity panel by removing 2 bolts. See Figure 4.

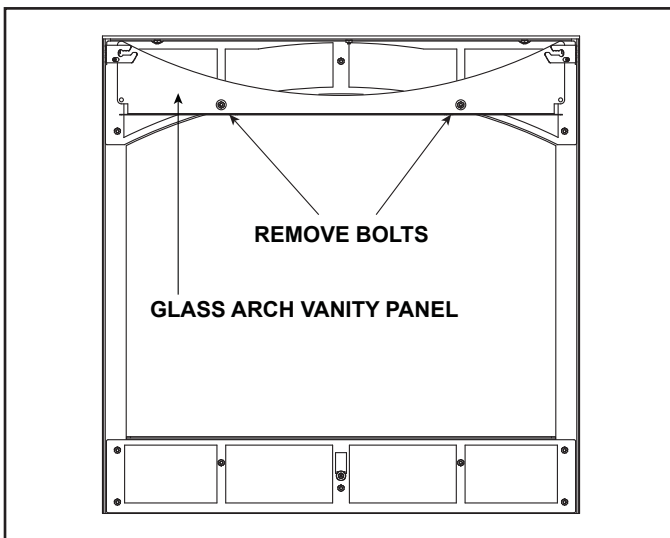


Figure 4. Location of Screws on Door Hanging Bracket

- Locate the two shoulder screws that are factory-installed on the door hanging brackets and remove them. Retain shoulder screws for later use. See Figure 5.

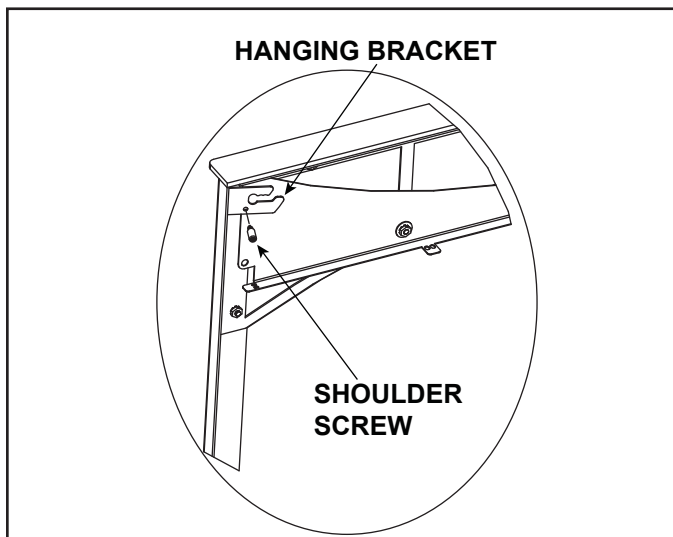


Figure 5. Install Shoulder Screws into Hanging Bracket

- Install the two shoulder screws that were removed in step 5 into the pilot holes located on the top left and right side columns of the appliance. See Figure 6.

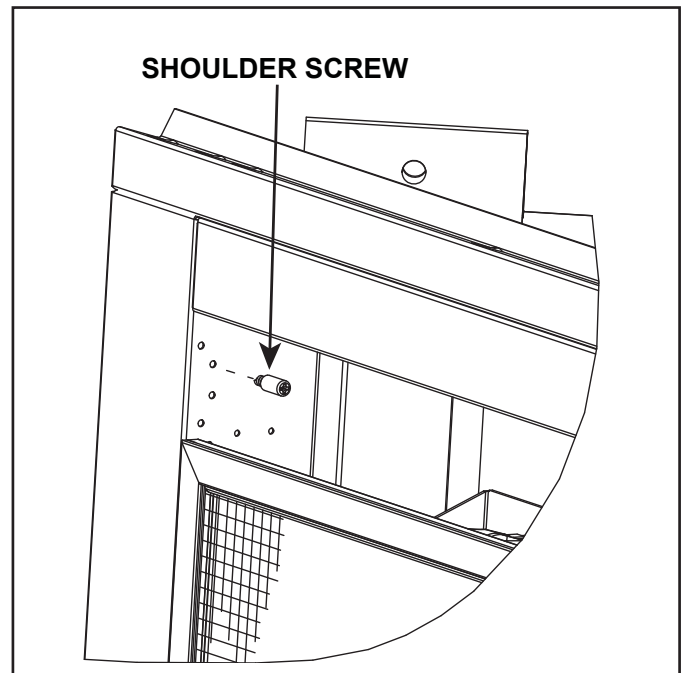


Figure 6. Install Screws into Pilot Holes

- TRES Decorative Fronts Only:**

Remove the glass assembly from the appliance and install the glass arch vanity panel as shown in Figure 7. Locate hand-bend tabs on the end of the panel and bend them to secure the panel to the glass assembly. Reinstall the glass assembly by engaging the glass clips.

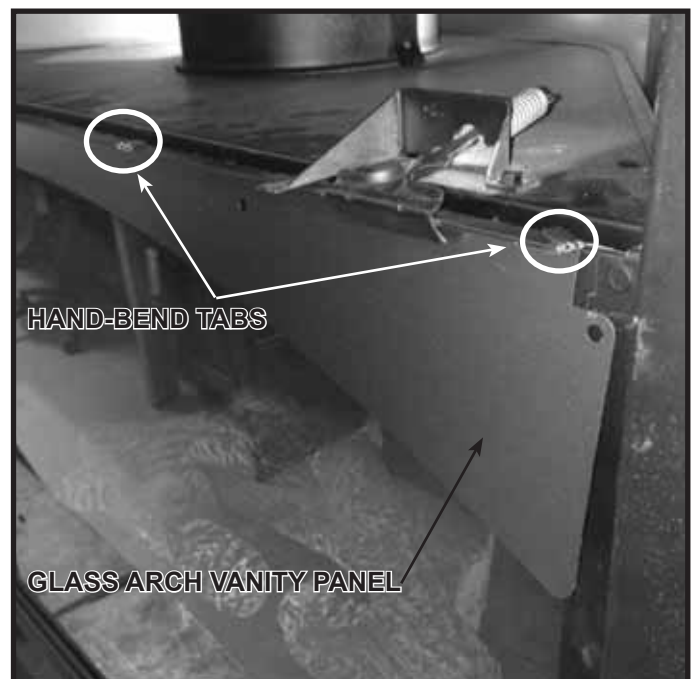


Figure 7. Install Glass Arch Vanity Panel

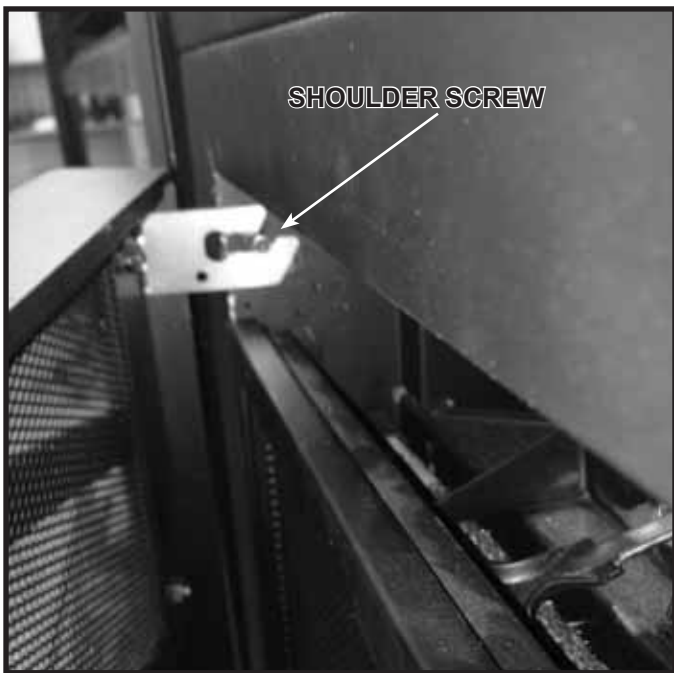
**8. DEMI and TRES Decorative Fronts:**

Bend the hanging brackets to a 90 degree angle as shown in Figure 8.



**Figure 8. Bend the Hanging Brackets**

9. Reinstall the mesh assembly that was removed in steps 1 and 2 onto the lower shoulder bolts.
10. Install the decorative front by engaging the brackets on the decorative front with the shoulder screws that were installed onto the appliance in Step 5. See Figure 9.



**Figure 9. Install Decorative Front on Appliance**



**Figure 10. Decorative Front installed on Appliance**

**INSTALLATION**

DECORATIVE FRONT	GLASS ARCH VANITY PANEL
TRES-30	2351-303
TRES-33	2351-293
TRES-36	2351-273
TRES-42	2351-253

**Cleaning Instructions for Doors**

Use a microfiber cloth and Windex® Original Glass Cleaner or 03M003 Stove Bright® Glass Cleaner to clean the door immediately after installation to remove acids deposited by the installer or technician. Spray the cleaner onto the microfiber cloth and carefully wipe the entire surface. The door should be cleaned in this manner annually by the homeowner to remove fingerprints or other contaminants. Once oxidation of the paint pigment has occurred, cleaning will not restore the original color.

Please contact your Heatilator dealer with any questions or concerns.

For the location of your nearest Heatilator dealer, please visit [www.heatilator.com](http://www.heatilator.com).

Heatilator, a brand of Hearth & Home Technologies  
 7571 215th Street West, Lakeville, MN 55044  
[www.heatilator.com](http://www.heatilator.com)